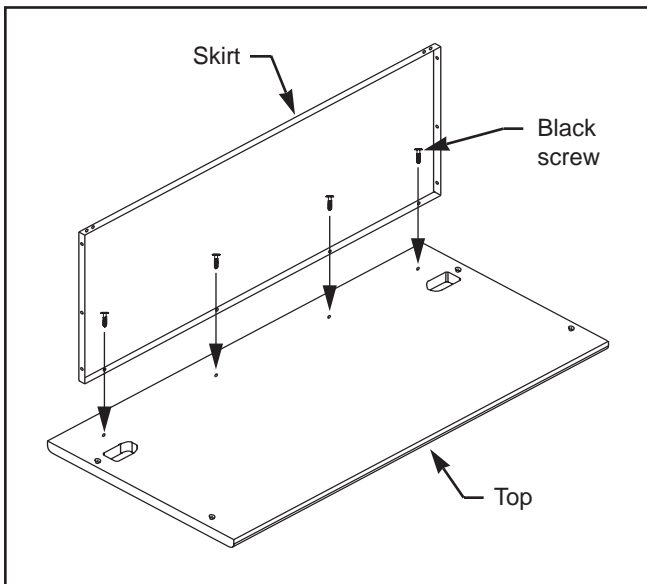


TABLE DESK

INSTALLATION INSTRUCTIONS

Illustration 1



Read all instructions and review illustrations before installing.

Tools required for assembly:

1/4" power nutdriver	Level
Adjustable wrench	Drill

This assembly includes:

(2) Leg brackets	(12) Black screw
(4) Machine screw	(4) Acorn nuts
(2) End panel bracket	(4) Leg leveler

⚠ WARNING

Sharp edges may cause injury. Take care when handling metal parts.

Table Desk Assembly:

1. Place table desk top, upside down, on cardboard or a carpeted surface (this is to prevent the top from being scratched).

Skirt Installation (refer to Illustration 1):

1. With bent flanges facing front of top, align holes in skirt with pre-punched holes in top.
2. Use the drill and 1/4" power nutdriver to install four black screws (from hardware pack) through holes in skirt and into top. Tighten screws securely.

End Panel Installation (refer to Illustration 2 and 3):

NOTE

End panels are marked "LH" or "RH" on the inside wall of each end panel. Be sure to install end panels in the correct "right-hand" or "left-hand" position.

1. With the "LH" or "RH" label facing the skirt, place keyhole slots (on top edge of end panel) over the end panel locators along edge of top. Push end panel towards front of top until end panel is fully seated.
2. Lean end panel away from the skirt and insert leg bracket prongs (as shown in Illustration 3) into square holes on inside wall of end panel. While holding leg bracket in place, rest end panel against the skirt.
3. Use the adjustable wrench, drill, and 1/4" power nutdriver to install two machine screws and acorn nuts (from hardware pack) through holes in leg bracket and into holes in skirt.
4. Use the drill and 1/4" power nutdriver to install two black screws (from hardware pack) through holes in side of skirt and into end panel.

Illustration 2

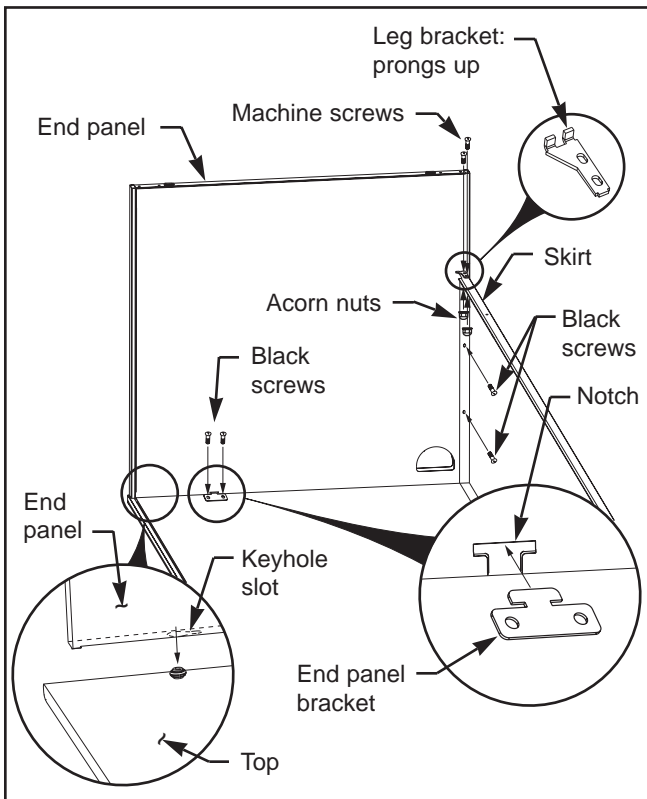
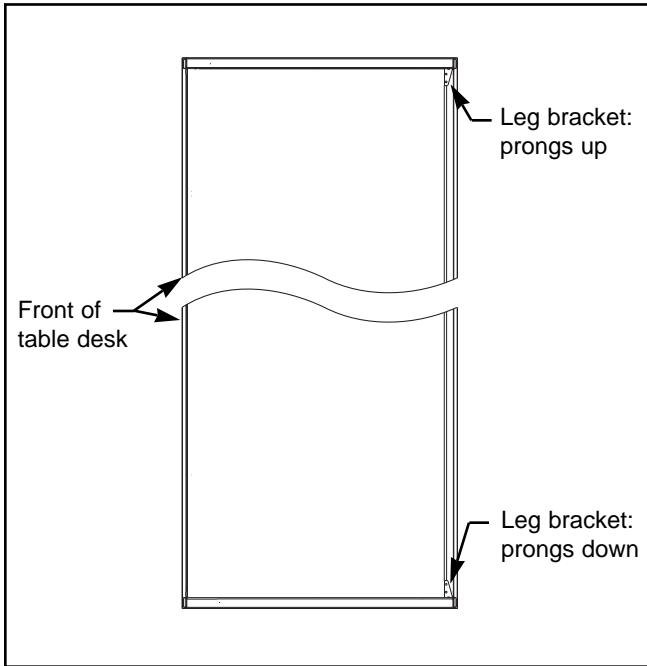


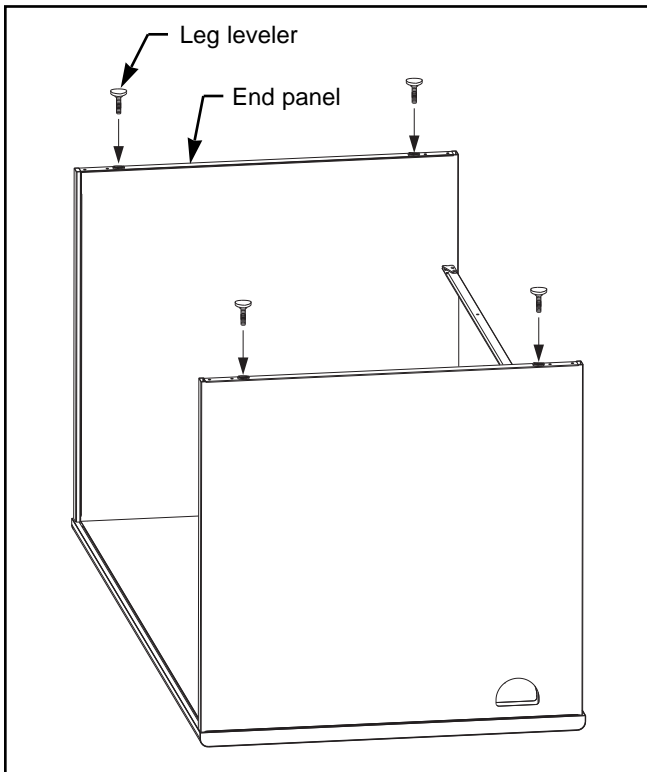
TABLE DESK

Illustration 3



5. Install end panel bracket (from hardware pack), as shown, into notch cut into inside top edge of end panel. Lay end panel bracket flat against bottom of top.
6. Use the drill and $\frac{1}{4}$ " power nutdriver to install two black screws (from hardware pack) through holes in end panel bracket and into holes in top.
7. Repeat Steps 1 through 6 for remaining end panel.

Illustration 4



Leg Leveler Installation (refer to Illustration 4):

1. Insert threaded end of leg leveler (from hardware pack) into hole in bottom edge of end panel.
2. Turn leg leveler clockwise until leg leveler is flat against end panel.
3. Repeat Steps 1 and 2 for remaining leg levelers.

Positioning Table Desk:

1. Use two or more people to set desk upright and position desk into the location where it will be used.
2. Adjust leg levelers to level desk (side-to-side and front-to-back).