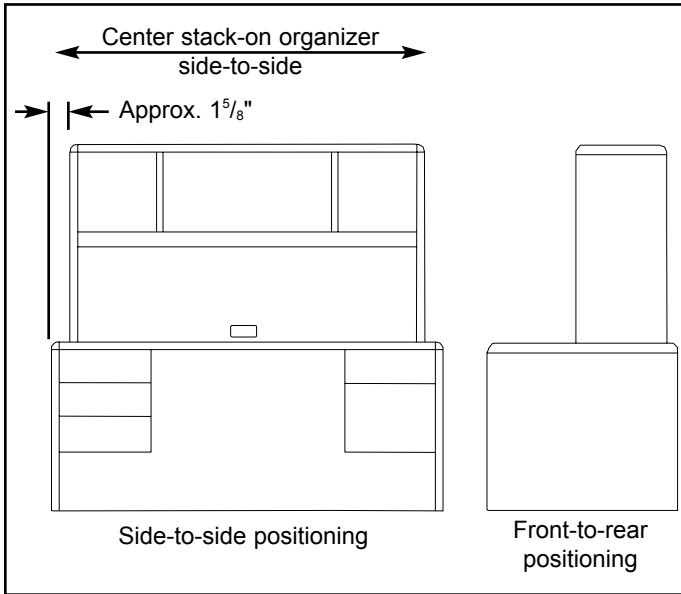


STACK-ON ORGANIZER

INSTALLATION INSTRUCTIONS

Illustration 1



Read all instructions and review illustrations before installing.

Tools required for assembly:
Phillips screwdriver

This assembly includes:
(2) Desk bracket (2) Wood screw
(3) Adjustable shelf (12) Shelf clip
(37) Cover cap

WARNING

Wood products are heavier than they appear and may be hard to control when moving. Use two or more people when moving wood products or severe personal injury may result.

Installation:

1. Refer to Illustration 2. Remove grommet covers from desk/credenza.
2. Refer to Illustration 1 and 2. Use two people to position stack-on organizer onto desk/credenza. Center unit from side-to-side approximately $1\frac{5}{8}$ " from edge. Each stack-on organizer end panel should sit along the outside edge of each desk/credenza wire management grommet hole. Align center of appropriate end panel slot (see illustration 2) with the center of the wire management grommet hole.
3. Refer to Illustration 3. Use the phillips screwdriver to loosen minifix connector. Turn minifix connector counter clockwise until steel pins drop down from inside end panel and touch the desk/credenza top.
4. Refer to Illustration 3. Insert desk bracket into wire management grommet hole and rotate so that legs of desk bracket fit under desk/credenza top. Insert desk bracket into end panel slot. Fit notches cut in desk bracket around steel pins in end panel.
5. Refer to Illustration 3. Install wood screw (from hardware pack) through the hole in desk bracket and into edge of desk top.
6. Lift end panel slightly to ensure desk bracket securely holds steel pins. Once confirmed, return end panel to its standing position.
7. Refer to Illustration 3. Use the phillips screwdriver to tighten both minifix connectors. Turn minifix connectors clockwise until steel pins in end panel raise making a solid connection between the end panel and the desk bracket.
8. Refer to Illustration 2. Reinstall inside end of wire management grommet cover and store the remaining cover for later use.
9. Repeat this procedure for remaining end panel.
10. Refer to Illustration 3. Snap cover caps over exposed connectors.

Illustration 2

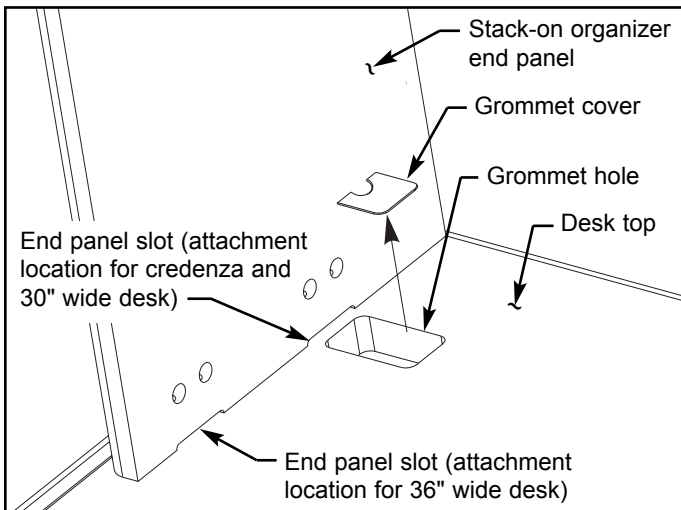
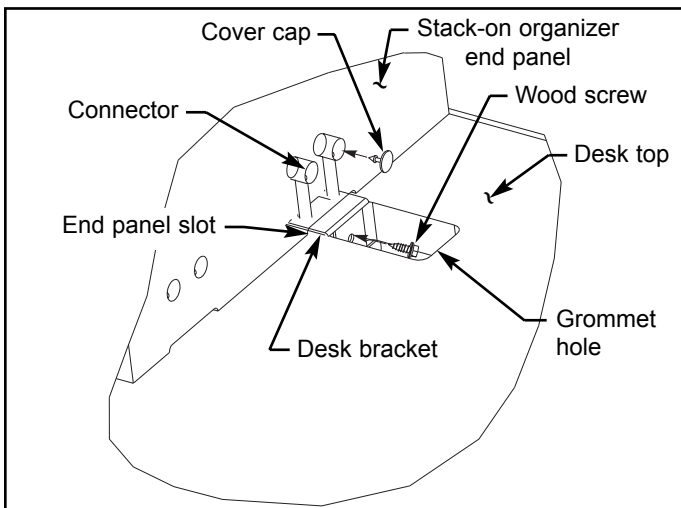
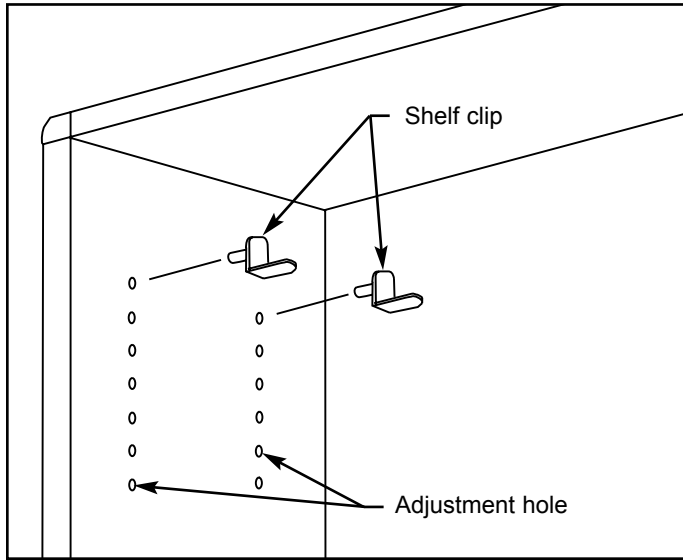


Illustration 3



STACK-ON ORGANIZER

Illustration 4



Adjustable Shelf Installation (refer to Illustration 4):

1. Install shelf clips (from hardware pack), at the desired shelf location, into adjustment holes in interior walls of stack-on organizer. Ensure shelf clips are installed at the same height.
2. Remove and discard packaging material from adjustable shelves.
3. Place adjustable shelves onto shelf clips.