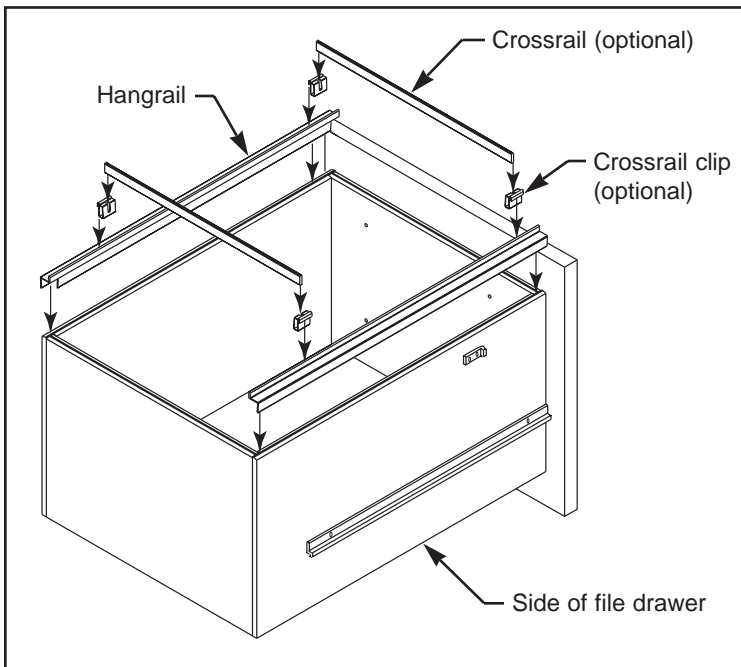


HANGRAILS AND DIVIDERS

INSTALLATION INSTRUCTIONS

Illustration 1



Read all instructions and review illustrations before installing.

Tools required for assembly:
None

This assembly includes:
Divider (1 per drawer)
Clip (2 per drawer)
Hangrail (2 per drawer)
Crossrail Clip (optional - 4 per drawer)
Crossrail (optional - 2 per drawer)

NOTE

The illustrations show the drawers removed, but installation of hangrails and dividers can be done with the drawers installed. It is not required to remove drawers.

Hangrail and optional crossrail installation (refer to Illustration 1):

1. Open file drawer completely.
2. Install hangrails onto top edge of each drawer side.
3. Position hangrail clips onto hangrails as shown and insert crossrails into notches in hangrail clips.
4. Firmly press down on hangrail clips to lock clips in place.
5. Slide crossrails, forward or rearward, to adjust placement of crossrails. Adjust placement of crossrails to the width of the file folders used.

Divider installation (refer to Illustration 2):

1. Open media drawer completely.
2. Insert clip tab into groove cut into each side of drawer. Install one clip per each side of drawer and position clips directly across from each other.
3. Slide divider into both clips and press down firmly.
4. Slide divider forward or backward to position.

Illustration 2

