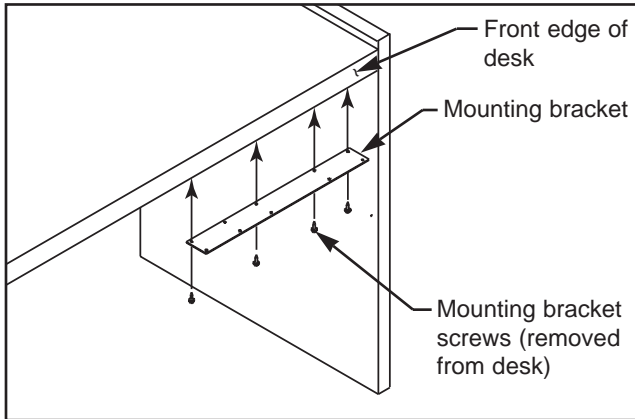


FLUSH HEIGHT RETURN

INSTALLATION INSTRUCTIONS

Illustration 1



Read all instructions and review illustrations before installing.

Tools required for assembly:
1/4" hex head screwdriver

Assembly hardware pack includes:
(1 or 2) Wood screw

! WARNING

If used alone, or improperly installed, this return can tip and fall resulting in severe injury to you or others. Do not use return alone. Use return with a single pedestal desk 66" x 30" or larger.

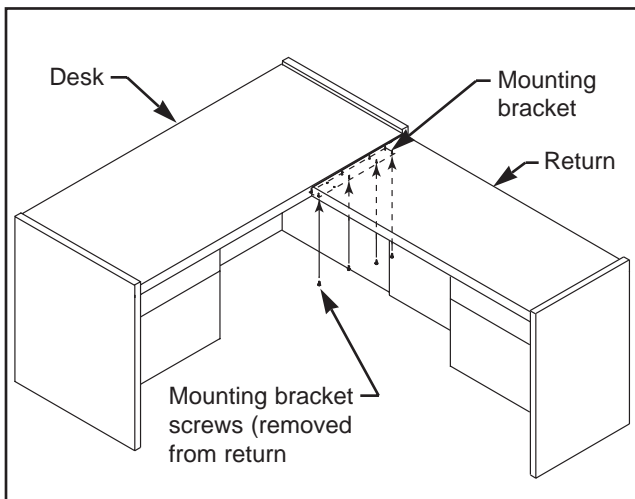
IMPORTANT

Use extreme care when handling return. Edge of work-surface can be easily chipped or broken.

NOTE

If using an optional desk center drawer, install center drawer before attaching return.

Illustration 2



Installation:

1. Use two or more people to position desk in location where it will be used. Level desk, left-to-right and front-to-rear, by adjusting leveling glides along bottom edge of desk end panels (if applicable).
2. Locate four mounting bracket screws on bottom of desk top, along the front edge. Use the 1/4" hex head screwdriver to remove mounting bracket screws. Save screws for later use.
3. Use the 1/4" hex head screwdriver to remove mounting bracket screws securing mounting bracket to bottom of return top. Save mounting bracket and screws for later use.
4. Refer to Illustration 1. Use the 1/4" hex head screwdriver to attach mounting bracket to bottom of desk top. Use mounting bracket screws removed in Step 2. Fully tighten screws.
5. Refer to Illustration 2. Use two or more people to place return top onto mounting bracket as shown.
6. Refer to Illustration 2. Use the 1/4" hex head screwdriver to reinstall mounting bracket screws, removed in Step 3, through holes in mounting bracket and into holes in bottom of return top. **Do not tighten mounting bracket screws.**
7. Align return with desk and level return, left-to-right and front-to-rear, by adjusting leveling glides along bottom edge of return end panel (if applicable).
8. Refer to Illustration 3. Install one or two wood screws (depending on model purchased), from hardware pack, through hole(s) in return skirt and into desk end panel. Fully tighten wood screw(s).
9. Fully tighten all mounting bracket screws.

Illustration 3

