

MOBILE PEDESTAL

INSTALLATION INSTRUCTIONS

Illustration 1

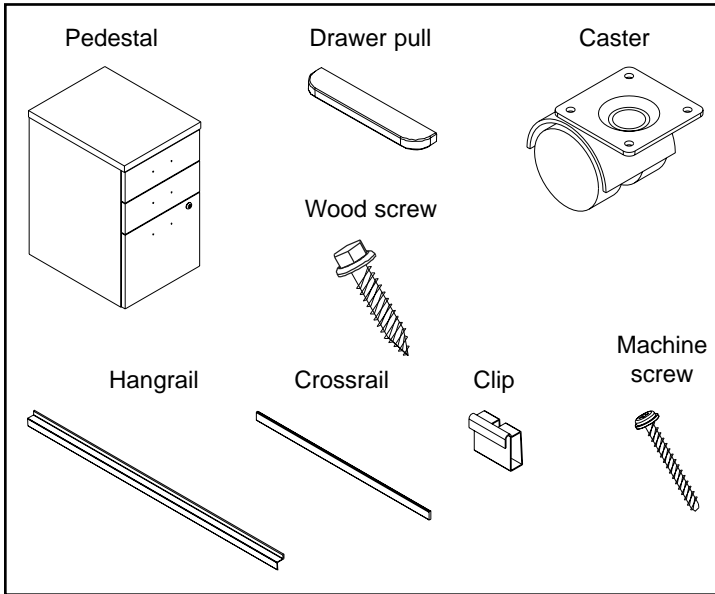
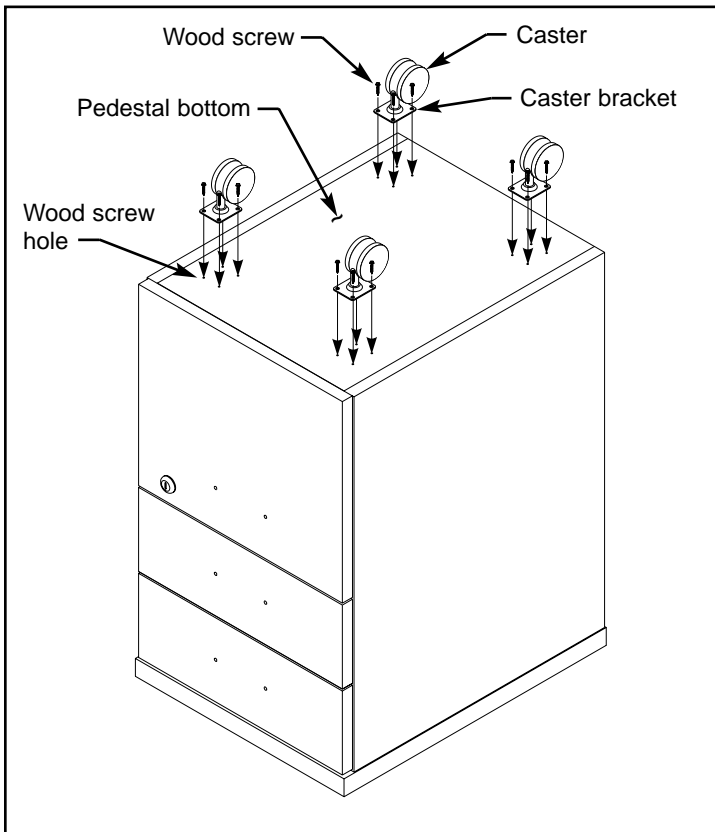


Illustration 2



Read all instructions and review illustrations before installing.

Tools required for assembly:
Phillips screwdriver
1/4" hex head screwdriver

This assembly includes (Illustration 1):

Three Drawer Pedestal

- (1) Pedestal
- (3) Drawer pull (pull pack)
- (6) Machine screw (pull pack)
- (4) Caster (caster pack)
- (16) Wood screw (screw pack)
- (2) Hangrail (hangrail pack)
- (2) Crossrail (hangrail pack)
- (4) Clip (hangrail pack)

Two Drawer Pedestal

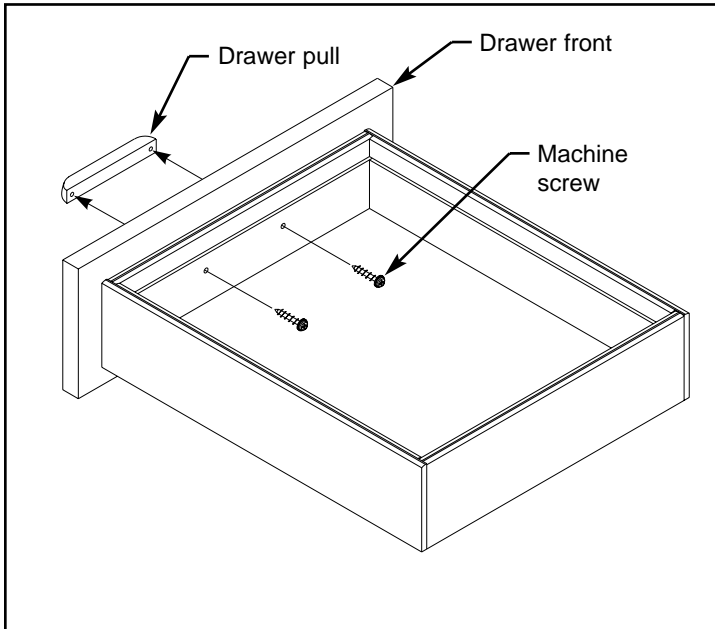
- (1) Pedestal
- (2) Drawer pull (pull pack)
- (4) Machine screw (pull pack)
- (4) Caster (caster pack)
- (16) Wood screw (screw pack)
- (4) Hangrail (hangrail pack)
- (4) Crossrail (hangrail pack)
- (8) Clip (hangrail pack)

Caster Installation (refer to Illustration 2):

1. Empty all contents from pedestal drawers. Close and lock pedestal.
2. Carefully set pedestal upside down on cardboard or a carpeted surface.
3. Locate pre-punched holes in bottom of pedestal.
4. Align holes in caster brackets (from caster pack) with pre-punched holes in bottom of pedestal.
5. Use the 1/4" hex head screwdriver to install wood screws (from screw pack) through holes in caster brackets and into pre-punched holes in pedestal bottom. Fully tighten screws.
6. Set pedestal upright.

MOBILE PEDESTAL

Illustration 3



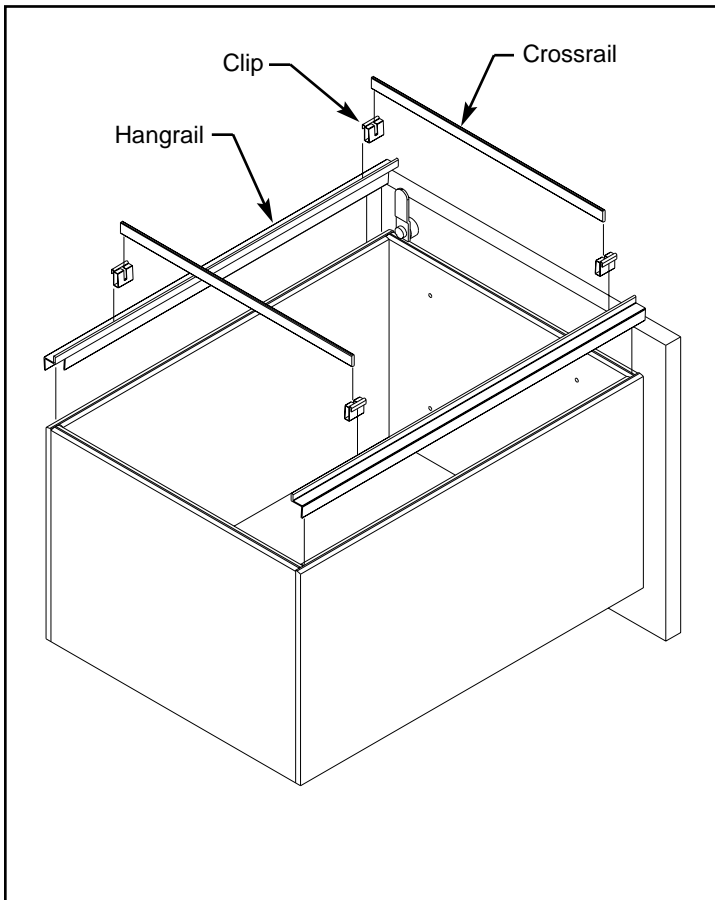
NOTE

For clarity, the illustrations show the drawers removed, but installation of drawer pulls and hangrails can be done with drawers installed. It is not required to remove drawers.

Drawer Pull Installation (refer to Illustration 3):

1. Fully open drawers and locate holes in drawer fronts.
2. Align holes in rear of drawer pulls (from pull pack) with holes in drawer fronts.
3. Use the Phillips screwdriver to install machine screws (from pull pack) through rear of drawer fronts and into holes in rear of drawer pulls. Fully tighten screws.

Illustration 4



Hangrail Installation (refer to Illustration 4):

1. Fully open file (bottom) drawer.
2. Install hangrails (from hangrail pack) onto top edge of each drawer side.
3. Install clips (from hangrail pack) onto hangrails as shown.
4. Insert crossrails (from hangrail pack) into clip notches.
5. Adjust placement of crossrails to the width of file folders used.