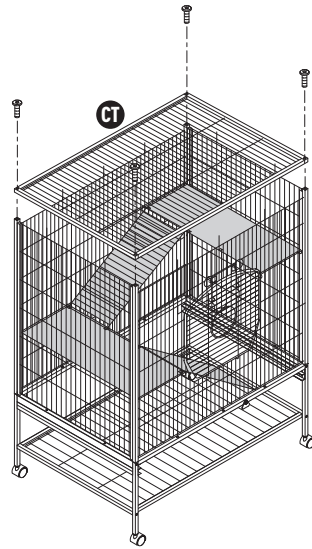


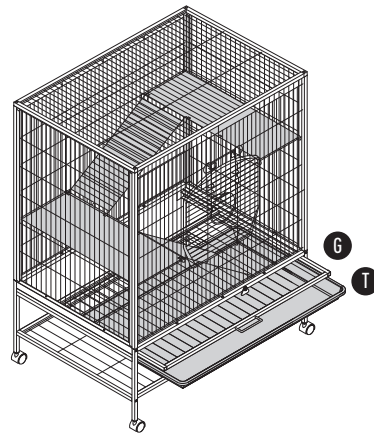
4 Position the top (CT) panel over the top of the cage.

→ Top surface of (CT) has holes in each corner. Bottom surface has holes in each corner, and additional, smaller holes to accommodate extended vertical wires on front/back/side panels.

Align extended vertical wires on (B2)(F2)(L2)(R2) panels with corresponding holes along bottom surface of (CT) panel. Secure (CT) panel with one screw in each corner.



5 Rotate the windbell lock out of the way, and slide the removable grill (G) (top track) and plastic tray (T) (bottom track) into place.



☆ Your cage is now fully assembled!

cage assembly instructions

Critter Cage
Model: # 495

cage: 31" L × 20½" W × 40" H
interior: 30¾" L × 20" W × 27½" H
wire gauge: 12 & 6
wire spacing: ¾"

getting started!

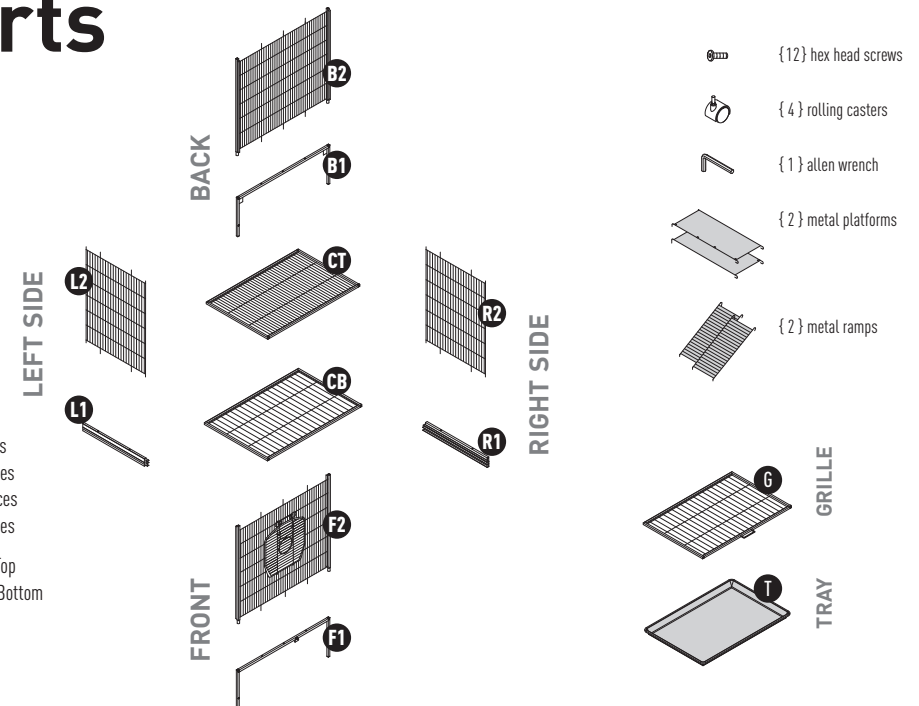
READ THESE NOTES FIRST:

- **Enlist A Friend:** While this cage may be assembled by one person, several steps would be made easier with two people.
- **Count Hardware:** Usually, extra screws are included. If the screw count is short, please contact Prevue Customer Service.
- **Review All Parts:** If parts are bent during shipping, pieces may be straightened with needle nose pliers. For seriously damaged pieces, please contact Prevue Customer Service.

- **Tools:** An allen wrench is included. You may want to have a pair of needle nose pliers available. You may use your own hand tools but **we do not recommend power drills!** Parts can be over-tightened and damaged/stripped. Prevue is not responsible for this type of damage.

Review these instructions thoroughly before attempting to assemble cage. If you still require assistance, please contact Prevue Customer Service at 800.243.3624 or customerservice@prevuepet.com

parts



KEY:

L = Left pieces
B = Back pieces
R = Right pieces
F = Front pieces

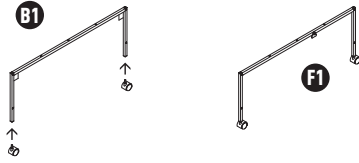
CT = Center-Top
CB = Center-Bottom

G = Grille
T = Tray

steps

1a

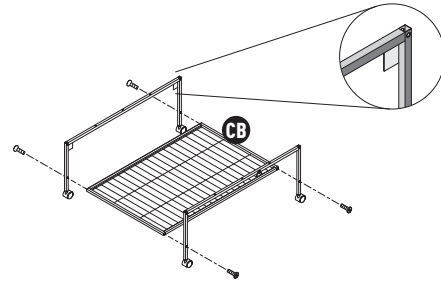
Attach casters to **back (B1)** and **front (F1)** leg frames.



1b

Create the base by attaching **center-bottom (CB)** shelf panel to **back (B1)** and **front (F1)** leg frames.

→ *Corner grille/tray stops on (B1) should be flush with cage exterior. Windbell lock on (F1) should also face cage exterior.*



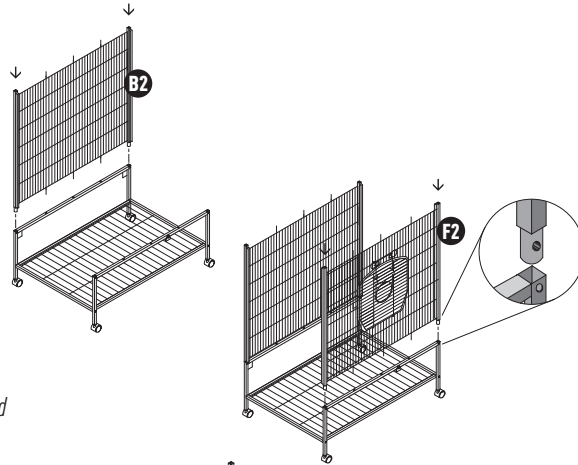
2a

Back (B2) and **front (F2)** panels slide into corresponding openings on top corners of (B1) and (F1) leg frames (see detail).

Three vertical wires on (B2) and (F2) panels extend below lower horizontal wire. Align the extended wires with corresponding holes along top surface of (B1) and (F1) leg frames.

→ *If extended wires are bent, straighten with needle nose pliers.*

→ *Some screw holes may not be thoroughly punched and may still contain the slug. Extract slugs with needle nose pliers before assembling.*

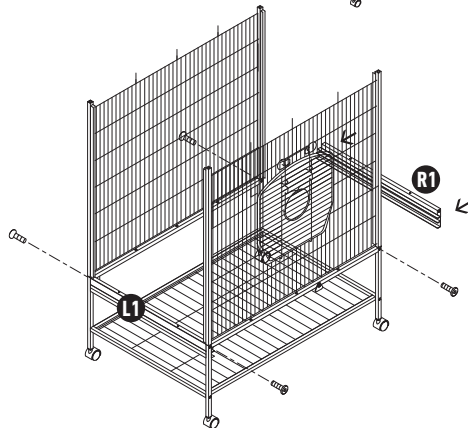


2b

Add **side rails (L1)** and **(R1)**. Side rails are interchangeable.

→ *Tracks on side rails should face cage interior. Tracks will eventually hold grille and tray (Step 5).*

Attach rails (L1) and (R1) to leg frames (B1) and (F1) with a screw in each corner.

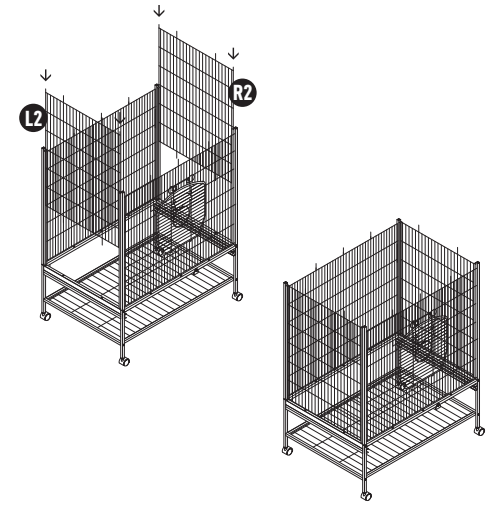


2c

Left (L2) and **right (R2)** side panels are interchangeable. Panels slide into tracks along (B2) and (F2) panel frames.

Four vertical wires on (L2) and (R2) panels extend below lower horizontal wire. Align wires with corresponding holes along top surface of (L1) and (R1) side rails.

→ *If extended wires are bent, straighten with needle nose pliers.*



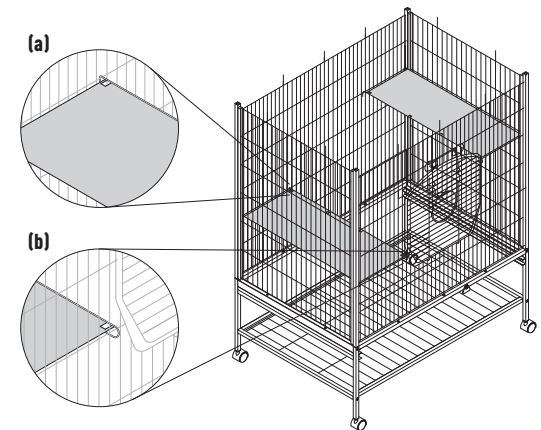
3a

Before the top panel is attached, it's a good time to install the **platforms and ramps**.

→ *Lower left platform has 'U' hooks at front, 'L' hooks at back, and four holes along cage-interior edge.*

LOWER LEFT PLATFORM: Front edge 'U' hooks should be positioned on second vertical wire from bottom (see detail [b]). Back edge 'L' hooks rest on corresponding vertical wire at the back of the cage (see detail [a]).

UPPER RIGHT PLATFORM: Front edge 'U' hooks should be positioned on second vertical wire from top.



3b

Ramps should be positioned with 'U' hooks along the top edge (see detail [c]), 'L' hooks along the bottom edge (see detail [d]), and horizontal surface ridges facing up.

