

**UK INOX SPECIFICATIONS**

**MODEL D376.70.30**

UNDERMOUNT TYPE

**GENERAL**

Fine quality sink bowl formed of 18 gauge  
Type 304 18/10 nickel bearing stainless steel

**DESIGN FEATURES**

Bowl Depth: 10"  
with a 7" deep Small bowl

Finish: European Finish

Underside: Sound absorbing pads and special paint  
applied to dampen sound

Drain Openings: 3-1/2"

Sinks include all basket strainers,  
mounting hardware and template.

**PROTECT YOUR SINK!** Grids prolong the  
life of your sink's finish.



D376.70.30 L

D376.70.30.10L (large bowl on left - 10" deep)

D376.70.30.10R (large bowl on right - 10" deep)

**OPTIONAL ACCESSORIES**

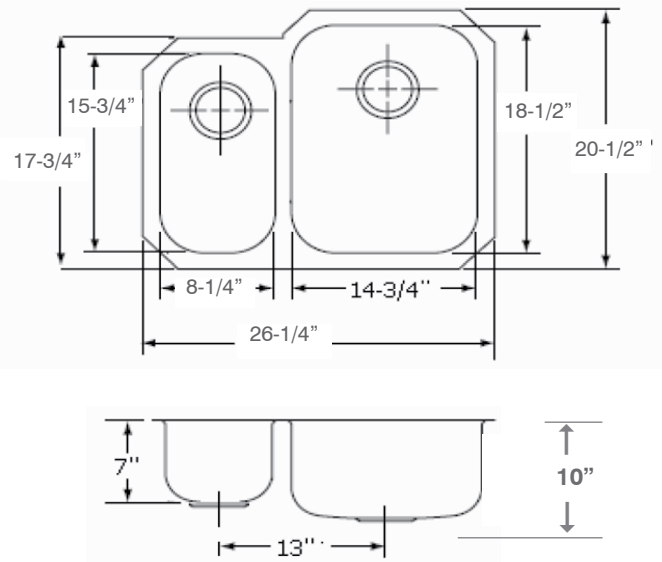
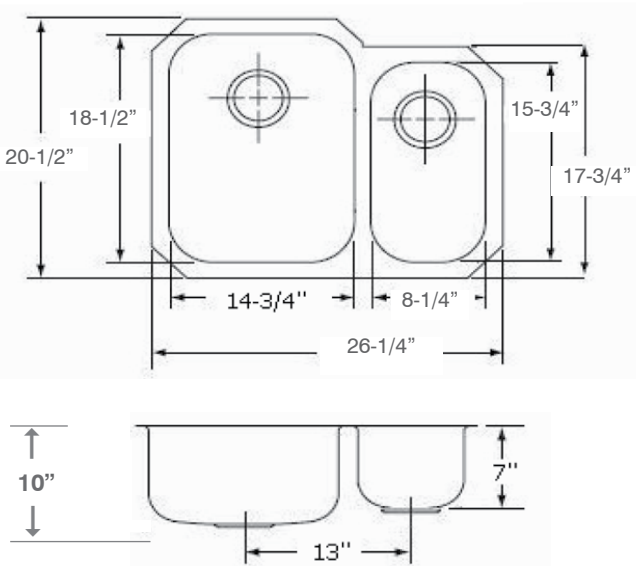
(for large bowl only)

GR376SS Stainless Steel Bottom Grid

RB376SS Stainless Steel Rinsing Basket

CB376HW Wood Cutting Board

**SINK DIMENSIONS (INCHES)**



**Minimum Cabinet Size** 25"  
**Ship Weight** 17 Lbs

**Installer Notes:** Ukinox always recommends that you give the sink to the granite fabricator. If you are going to use a cutting board, provide that to the fabricator as well. Please note that we do include a template with each sink, but there can always be a slight variation. In addition, many of our templates are perforated so you can tear off the perforation for cutting board applications.



\*Template and countertop mounting clips are packed with every sink

Ukinox reserves the right to change product specifications without notice.

