

UKINOX SPECIFICATIONS

MODEL D376

UNDERMOUNT TYPE

GENERAL

Fine quality sink bowl formed of 18 gauge
Type 304 18/ 10 nickel bearing stainless steel

DESIGN FEATURES

Bowl Depth: Available in 10" & 8" deep

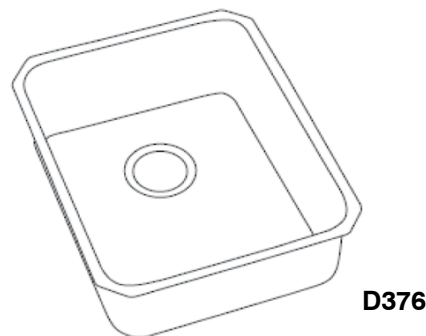
Finish: European Finish

Underside: Sound absorbing pads and special paint
applied to dampen sound

Drain Opening: 3-1/2"

Sinks include all basket strainers, mounting
hardware and template.

PROTECT YOUR SINK! Grids prolong the life
of your sink's finish.



D376

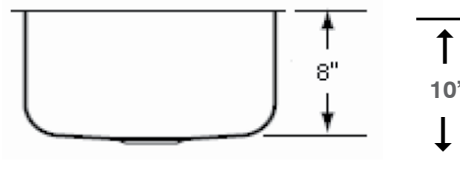
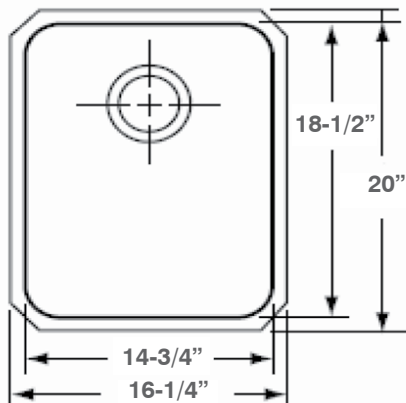
D376.8 (bowl - 8" deep)

D376.10 (bowl - 10" deep)

OPTIONAL ACCESSORIES

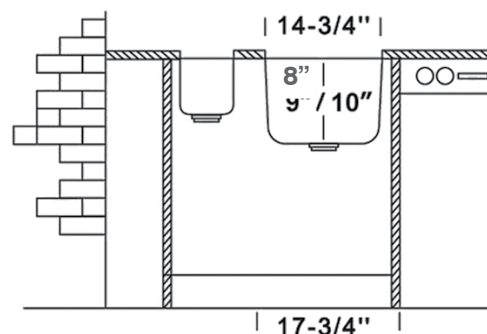
- GR376SS Stainless Steel Bottom Grid
- RB376SS Stainless Steel Rinsing Basket
- CB376HW Wood Cutting Board

SINK DIMENSIONS (INCHES)



Minimum Cabinet Size	18"
Ship Weight	12 Lbs.

Installer Notes: Ukinox always recommends that you give the sink to the granite fabricator. If you are going to use a cutting board, provide that to the fabricator as well. Please note that we do include a template with each sink, but there can always be a slight variation. In addition, many of our templates are perforated so you can tear off the perforation for cutting board applications.



*Template and countertop mounting clips are packed with every sink

Ukinox reserves the right to change product specifications without notice.