

UK INOX SPECIFICATIONS

MODEL DSL620

UNDERMOUNT TYPE

GENERAL

Fine quality sink bowl formed of 18 gauge
Type 304 18/10 nickel bearing stainless steel

DESIGN FEATURES

- Bowl Depth: 9"
- Zero Radius Corners
- Finish: Polished Finish
- Underside: Sound absorbing pads applied to dampen sound
- Drain Openings: 3-1/2"

INCLUDES

Hardwood Cutting Board

Sinks include all basket strainers, mounting hardware and template.

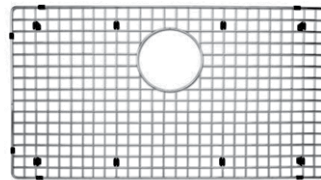
PROTECT YOUR SINK! Grids prolong the life of your sink's finish.



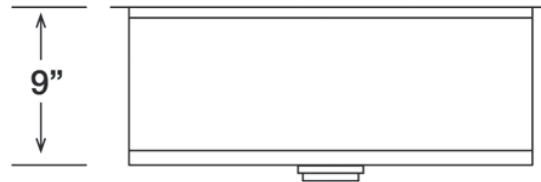
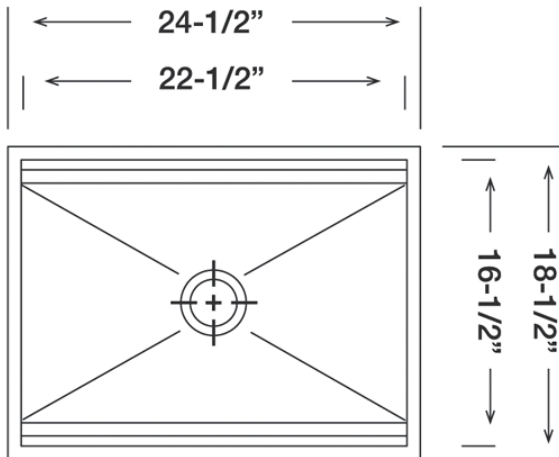
DSL620

OPTIONAL ACCESSORIES

GRS620SS Stainless Steel Bottom Grid



SINK DIMENSIONS (INCHES)



Minimum Cabinet Size 26"
Ship Weight 17 Lbs.

Installer Notes: Ukinox always recommends that you give the sink to the granite fabricator. If you are going to use a cutting board, provide that to the fabricator as well. Please note that we do include a template with each sink, but there can always be a slight variation. In addition, many of our templates are perforated so you can tear off the perforation for cutting board applications.



*Template and countertop mounting clips are packed with every sink

Ukinox reserves the right to change product specifications without notice.