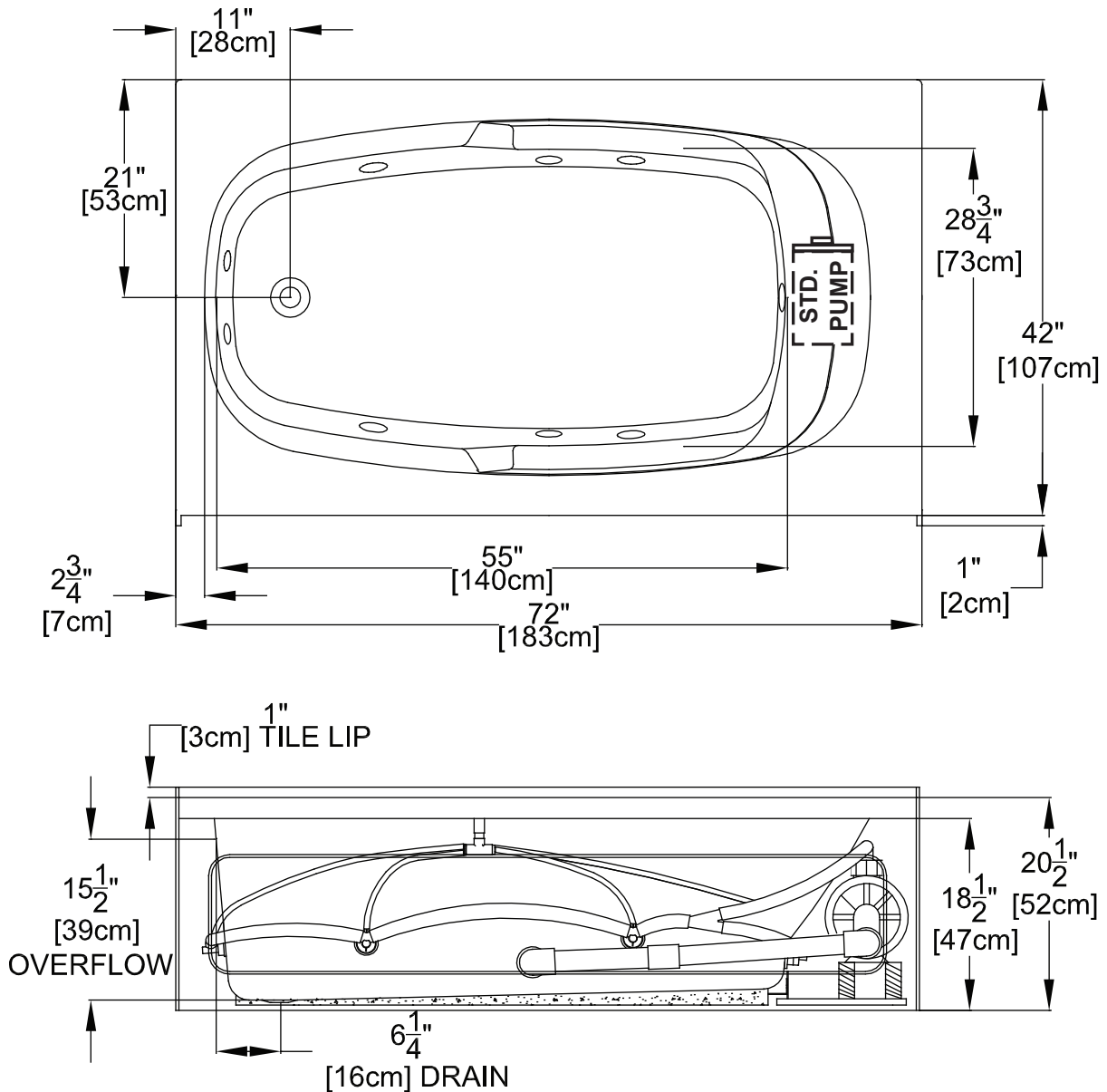


## Integrity<sup>®</sup> Collection Specifications

# Whirlpool & Soaking - B4272

### SL/SR




Patents received or pending.

Note: Dimensional Tolerances: ±1/4"

<b>Drop-in-Hole Size:</b>	N/A
<b>Operating Capacity:</b>	49 Gal.
<b>Overflow Capacity:</b>	77 Gal.
<b>Floor Loading / sq.ft. (WP/ Soaking):</b>	41.6/ 40.2 lbs.
<b>Carton Wt. (WP/Soaking):</b>	140/ 118 lbs.
<b>Cube:</b>	43.2 ft. <sup>3</sup>

Air Switch Control



Includes a quiet, 120v, 1HP, 1-speed pump and an air switch on/off control. Requires (1) 20A, 120v GFCI protected circuit.

**Construction:** Reinforced Acrylic shell mounted on Level Form™ pre-leveled full support base.

*We provide products listed with Intertek ETL SEMKO (Edison Testing Laboratories) U.S. and Canadian and with International Association of Plumbing and Mechanical Officials (IAPMO). Consult factory with your listing requirements.*