

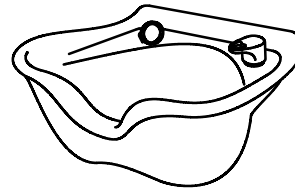
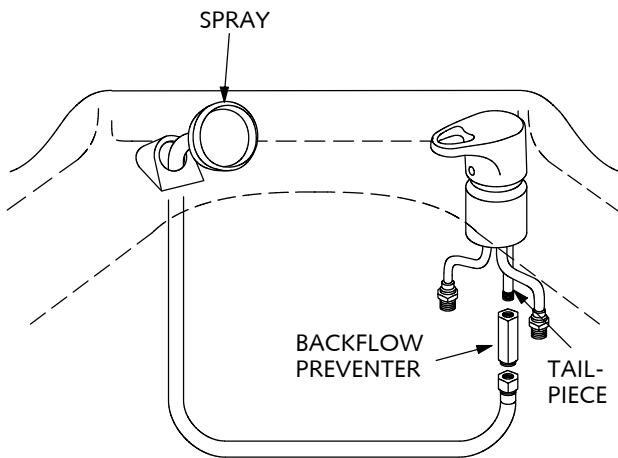
Shampoo Bowls

2100 AND 2800 ACRYLIC BOWLS

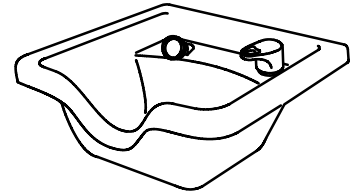
ACRYLIC SHAMPOO BOWL WITH MODEL 522 FIXTURE AND 603 BACKFLOW PREVENTER INSTALLATION AND PLUMBING

NOTE: To familiarize yourself with the various components, please read instructions through before starting.

1. Attach the Fixture to the Bowl according to the instructions packed with the Fixture.
2. Attach the backflow preventer to the fixture tailpiece. Do not overtighten. Place the end of the spray hose with the brass connector through the hole in the hose receiver. Attach the Spray Hose connector to the backflow preventer.



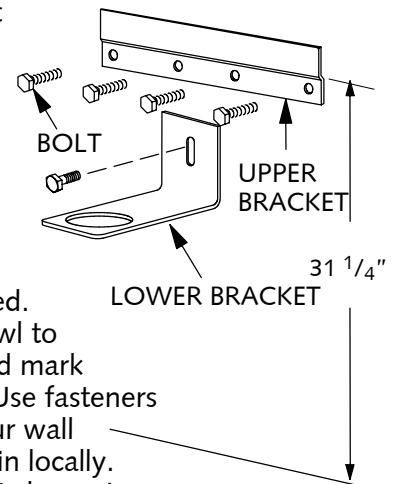
2100



2800

3. Install the upper wall bracket so that the offset is 31-1/4" from the finished floor.

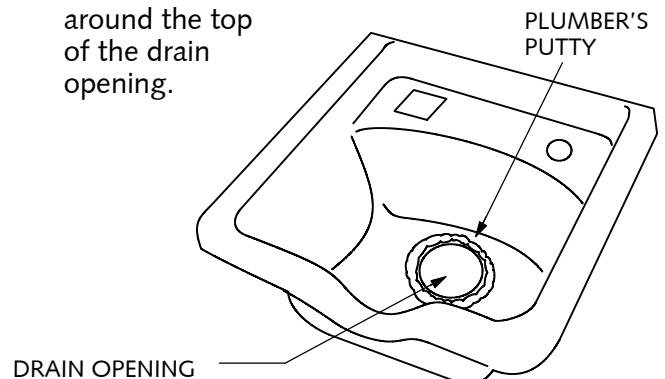
Be sure the bracket is level! Leave the bracket slightly loose. Your Belvedere bulkhead has mounting holes for the brackets factory drilled with T-Nuts installed.



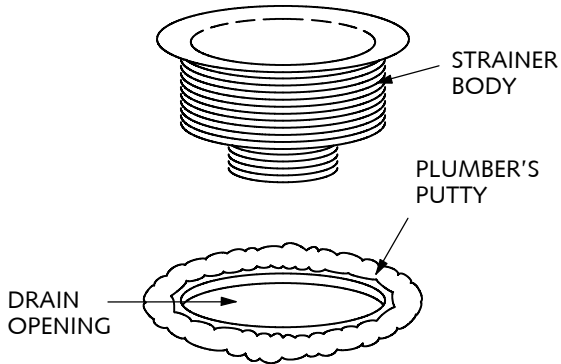
If attaching the bowl to a wall, measure and mark all five bolt holes. Use fasteners appropriate for your wall construction. Obtain locally. (The bracket height shown is suggested to obtain the neckrest height suitable for most stylists. However, the bracket height may be varied to suit personal preference.)

INSTALLING THE DRAIN ASSEMBLY

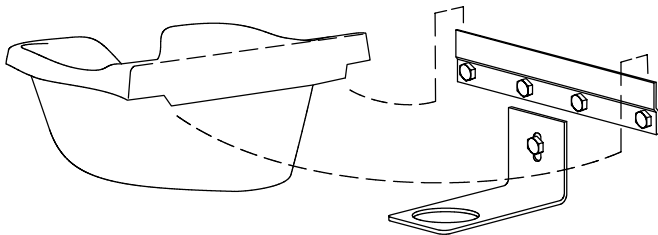
4. Apply a liberal amount of plumber's putty (available at most hardware stores) around the top of the drain opening.



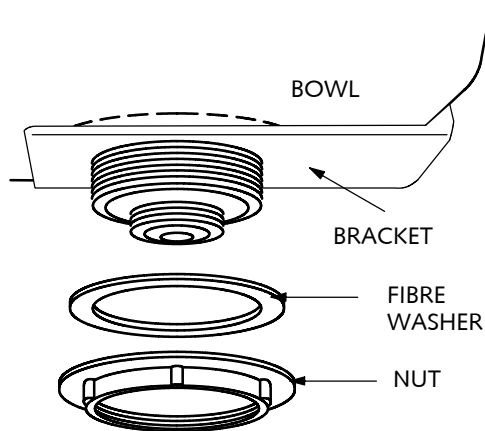
5. Place the strainer body in the opening, and press it into the plumber's putty.



6. Mount the bowl onto the wall bracket by lowering the back of the bowl into the wall bracket.

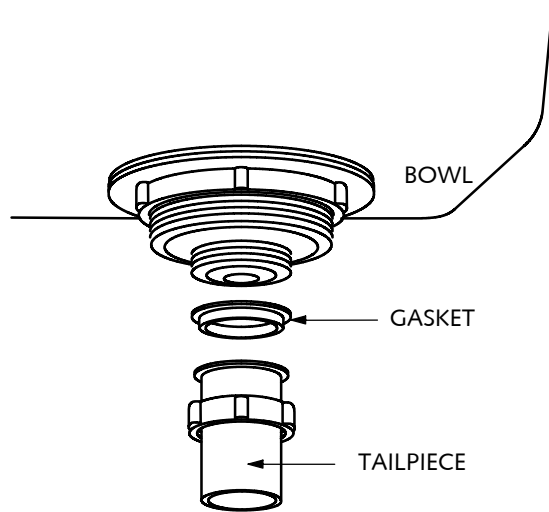


7. From the underside of the bowl, place the fiber washer over the strainer body. Secure the strainer body with the nut. **DO NOT OVERTIGHTEN.** When the strainer body is tightened securely to the bowl, clean off any excess plumber's putty.

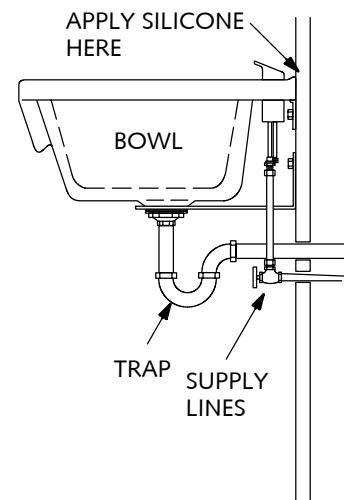


NOTE: Do NOT use the Rubber Washer included with the strainer.

8. Attach the gasket and tailpiece to the strainer body. **DO NOT OVERTIGHTEN.**



9. Check to be sure the bowl is level side-to-side, then tighten the four bolts holding the upper bracket. Level the bowl front-to-back by either raising or lowering the "L" shaped bracket and tighten the single bolt. Connect the fixture to the hot and cold supply lines. Install the trap and connect the drain. Apply a bead of silicone to the back edge of the bowl to seal it to the wall.



IMPORTANT NOTE: It is the responsibility of the installer and/or the owner to be sure that the installation conforms to all prevailing local plumbing codes and regulations. See Page 3 for rough-in specifications.

ROUGH-IN PLUMBING SPECIFICATIONS.

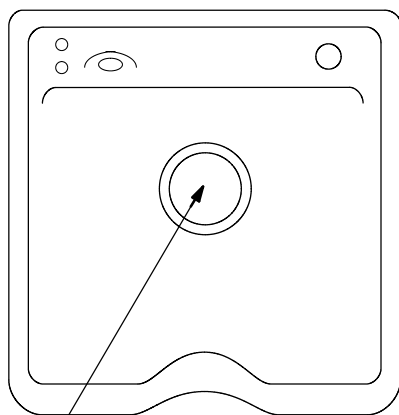
This shampoo bowl is designed for optimum comfort when the bowl neckrest is at 31". However, this may vary to suit individual salon owners.

SEE NOTE BELOW.

Belvedere Recommends a bowl neckrest height of 31".

To mount the bowl at this height, simply locate the bowl bracket height as shown in these specifications. Belvedere bulkheads are factory equipped with mounting holes and T-Nuts to install the bowl at the recommended height.

TOP VIEW



3 1/2" BASKET STRAINER

CLEANING INSTRUCTIONS

Use non-abrasive soap and water, Review the label instructions before applying any cleaner to the acrylic surface. **DO NOT USE ABRASIVE CLEANSERS** which will dull the sparkling surface of your bowl. **CLEAN ONLY WITH A NON-ABRASIVE LIQUID CLEANER.**

YOU MAY SAFELY USE:

409® Fantastic® Glass Plus® Mr. Clean® Windex®

USE OF OTHER CLEANING PRODUCTS WILL VOID THE WARRANTY!

DO NOT USE:

Lysol Disinfectant Spray®, Dow Disinfectant Bathroom Cleaner®, Pinesol®, Whitecap®, Lestoil®.

DO NOT place nail care products, ketones, esters or aromatic hydrocarbons on your bowl. Prolonged exposure to these chemicals may discolor or damage the acrylic finish. Wipe off IMMEDIATELY!

LIGHT SCRATCHES AND ABRASIONS: MAY BE REMOVED AND THE ORIGINAL FINISH RESTORED USING THE FOLLOWING PRODUCTS: Novus Plastic Polish®, Mirror Glaze Professional Formula #17®, Permatex Plastic Cleaner #430D®, J-Wax® or Kit® Automotive Cleaner Wax, DuPont® or Turtlewax® "White Polish", Automotive Polishing Compound. With normal care your bowl will last many years.

IMPORTANT! DO NOT OVERTIGHTEN DRAIN ASSEMBLY!

