

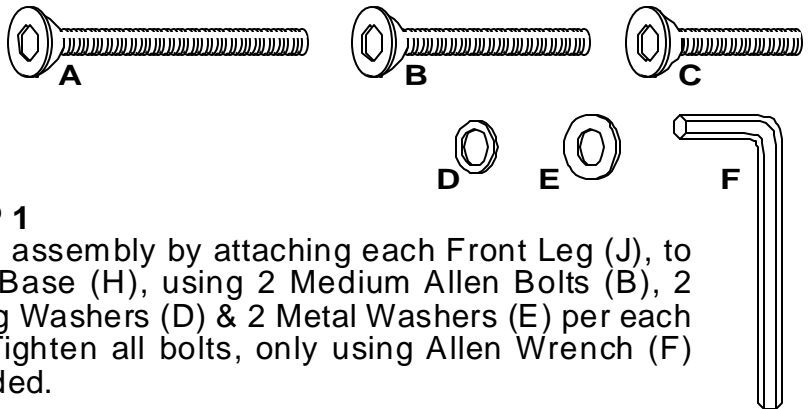
Examine all packaging material for small parts that may have come loose during shipment. Periodic checks are recommended to insure that all components are in proper position, tight and free from damage. Keep this assembly instruction for future reference. Adult assembly required. Online Parts Request Form: www.hillsdalehouse.com/parts_request.html

HARDWARE LIST

- A (8) Long Allen Bolts
- B (8) Medium Allen Bolts
- C (1) Short Allen Bolt
- D (9) Spring Washers
- E (9) Metal Washers
- F (1) Allen Wrench

PARTS LIST

- G (1) Chair Back
- H (1) Seat Base
- J (2) Front Legs



STEP 1

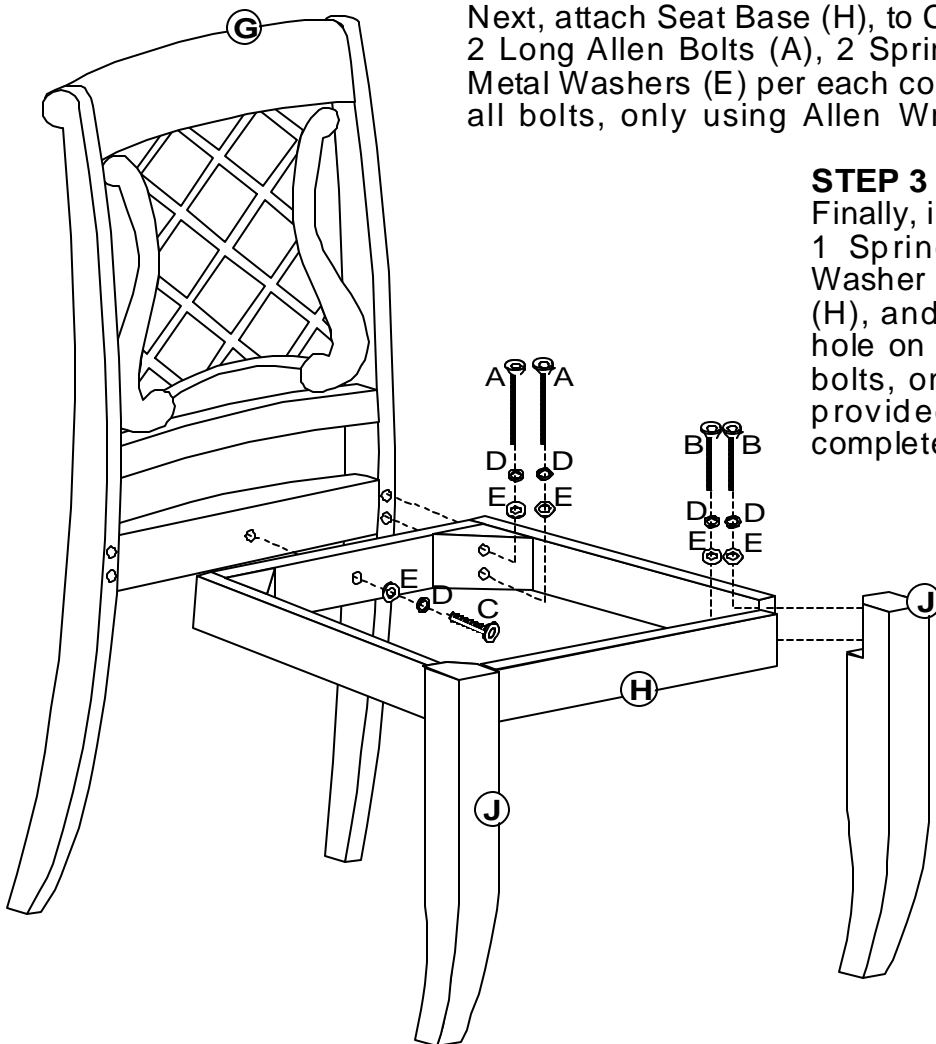
Begin assembly by attaching each Front Leg (J), to Seat Base (H), using 2 Medium Allen Bolts (B), 2 Spring Washers (D) & 2 Metal Washers (E) per each leg. Tighten all bolts, only using Allen Wrench (F) provided.

STEP 2

Next, attach Seat Base (H), to Chair Back (G), using 2 Long Allen Bolts (A), 2 Spring Washers (D) & 2 Metal Washers (E) per each corner into leg. Tighten all bolts, only using Allen Wrench (F) provided.

STEP 3

Finally, insert 1 Short Allen Bolt (C), 1 Spring Washer (D) & 1 Metal Washer (E) into middle of Seat Base (H), and into the middle pre-drilled hole on Chair Back (G). Tighten all bolts, only using Allen Wrench (F) provided. The assembly is now complete.



CARE & MAINTENANCE:

The touch of a soft cloth is all the maintenance the finish will ever need. Please do not use harsh or abrasive cleaners for polishing, as they may cause damage to the finish. Periodic checks are recommended to make sure that all bolts, screws and nuts are securely tightened.