

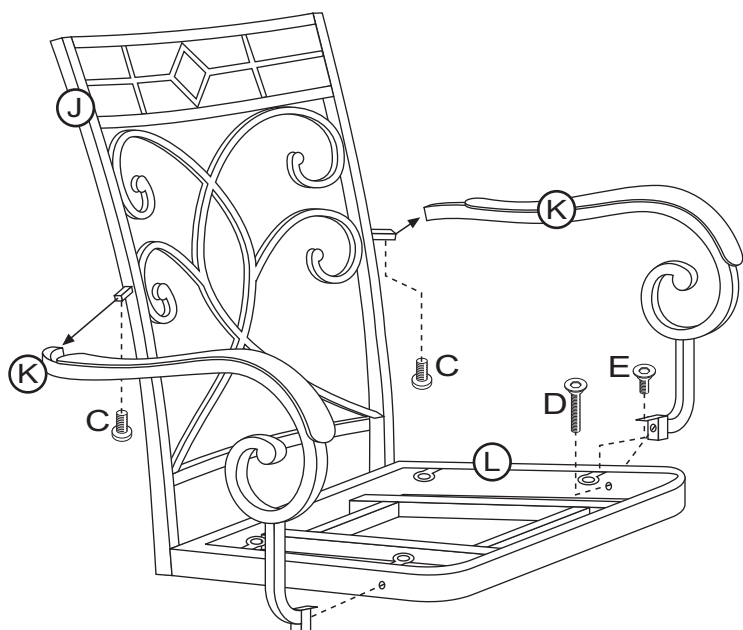
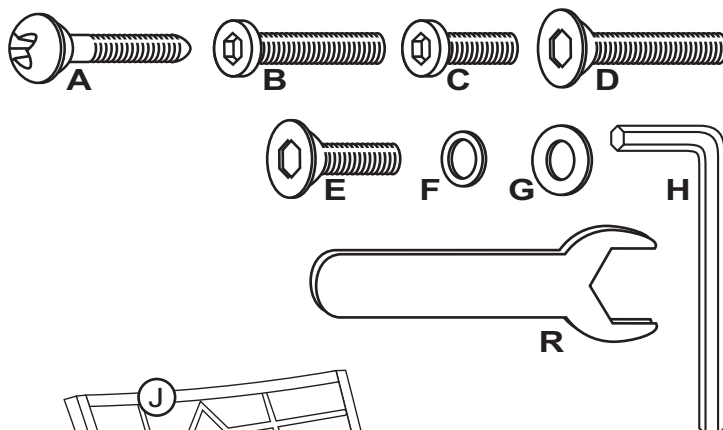
Examine all packaging material for small parts that may have come loose during shipment. Periodic checks are recommended to insure that all components are in proper position, tight and free from damage. Keep this assembly instruction for future reference. Adult assembly is required. Online Parts Request: parts.request@hillsdalefurniture.com - Customer Service Phone Number: 502-562-0000

HARDWARE LIST

- A (4) Wood Screws
- B (4) Long Allen Bolts
- C (2) Short Allen Bolts
- D (2) Long Counter Sunk Bolts
- E (2) Short Counter Sunk Bolts
- F (4) Spring Washers
- G (4) Metal Washers
- H (1) Allen Wrench
- R (1) Open Wrench

PARTS LIST

- J (1) Chair Back
- K (2) Arms
- L (1) Seat Base
- M (1) Metal Plate
- N (1) Chair Base
- P (4) Casters
- Q (1) Cushion



STEP 1

Attach both Arms (K) to Chair Back (J), by inserting each arm into tab, and use 1 Short Allen Bolt (C) per each arm to hold in place. Next, attach each Arm to Seat Base (L), using 1 Long Counter Sunk Bolt (D) & 1 Short Counter Sunk Bolt (E) per each arm. Tighten all bolts only using Allen Wrench (H) provided.

STEP 2

Please keep the Same Direction of the Swivel Plate and the Cradle. Next, attach Metal Plate (M) to bottom of Seat Base (L), using 4 Long Allen Bolts (B), 4 Spring Washers (F) & 4 Metal Washer (G) to hold in place. Tighten all bolts only using Allen Wrench (H) provided.

STEP 3

Attach Seat Cushion (Q) to Seat Base (L), using 4 Wood Screws (A) to hold tight in place. Only tighten using a phillips head screwdriver (not included) as power tools may result in damage to the parts and/or hardware.

STEP 4

Finally, attach Chair Base (N) to Metal Plate (M) by inserting into place. Also, attach each Caster (P) into bottom of each leg on Chair Base by aligning holes and firmly screwing each in place using the Open Wrench (R) that is provided. The assembly is now complete.

