

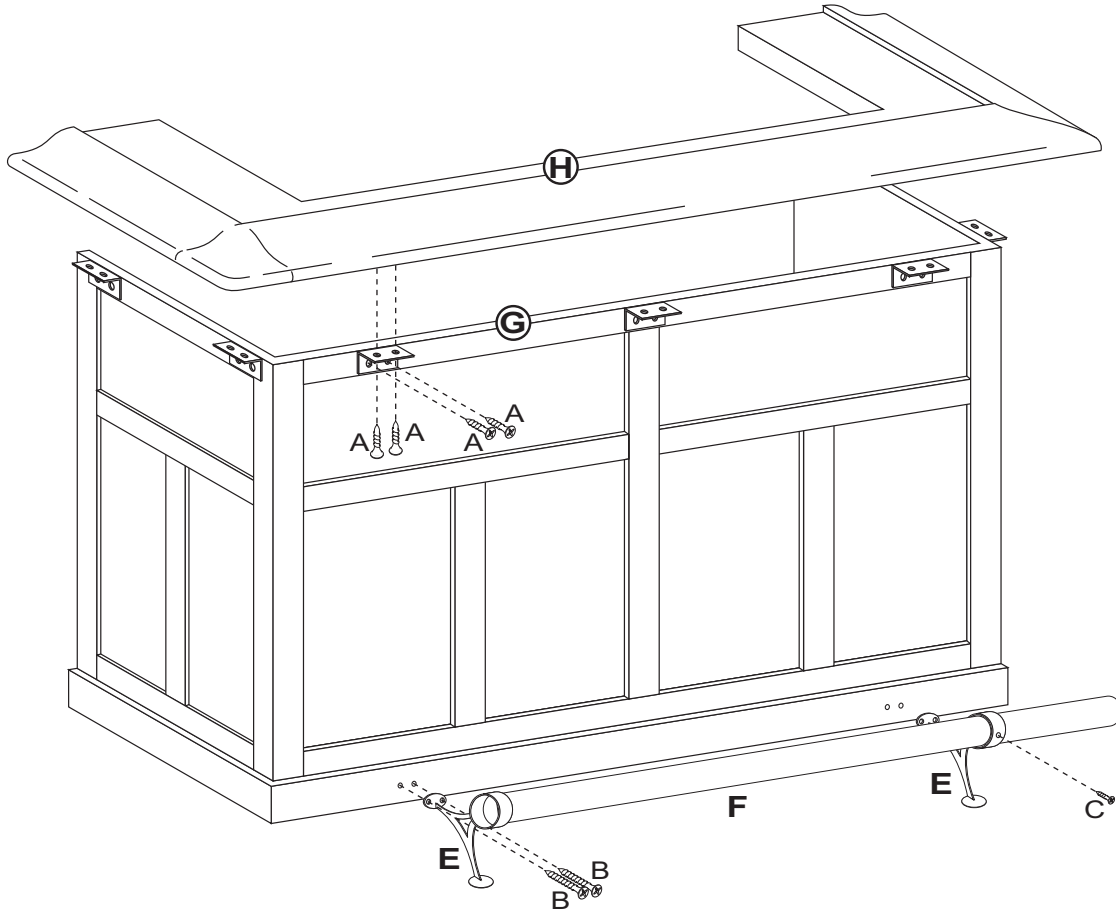
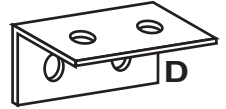
Examine all packaging material for small parts that may have come loose during shipment. Periodic checks are recommended to insure that all components are in proper position, tight and free from damage. Keep this assembly instruction for future reference. Adult assembly is required. Customer Service Phone Number: 502-562-0000

HARDWARE LIST

- A (28) Wood Screws M8 x 3/4"
- B (4) Wood Screws M8 x 5 3/4"
- C (2) Metal Screws M5 x 1/4"
- D (7) Metal Brackets
- E (2) Metal Feet Supports
- F (1) Foot Rest

PARTS LIST

- G (1) Bar
- H (1) Bar Top



STEP 1

Begin assembly by attaching the Bar Top (H) to the Bar (G) by attaching each Metal Bracket (D) to the Bar (G) using 2 Wood Screws (A) per each bracket. Once secured, rest Bar Top in place and secure using also 2 Wood Screws (A) to hold in place. Tighten all screws only using a phillips head screwdriver (not included).

STEP 2

Attach each Metal Foot Support (E) to the front of the Bar (G) using 2 Wood Screws (B) per each support. Tighten all screws.

STEP 3

Insert the Foot Rest (F) into the Metal Feet (E) by sliding in place and securing with 1 Metal Screw (C) per each side. Tighten all screws. The assembly is now complete.

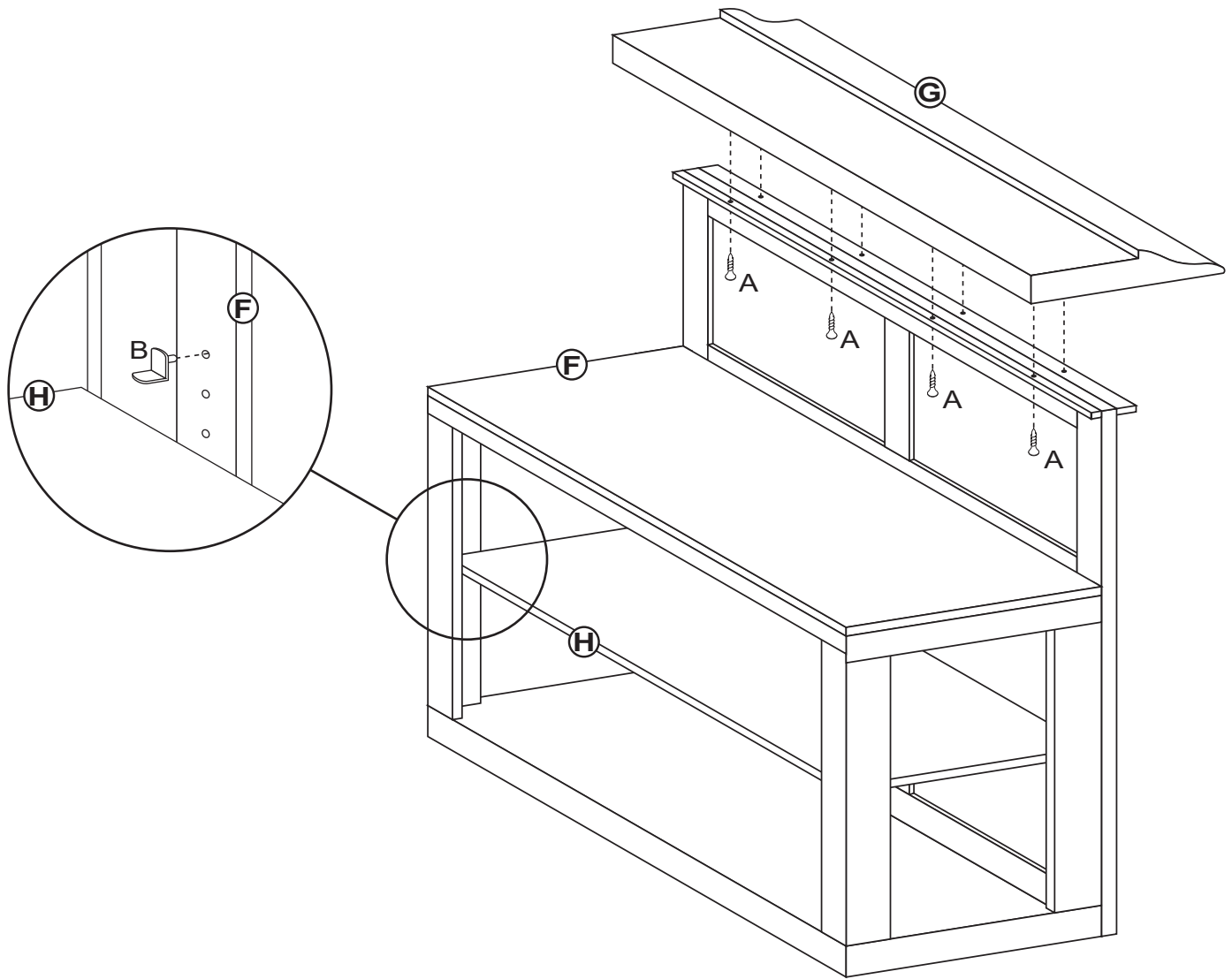
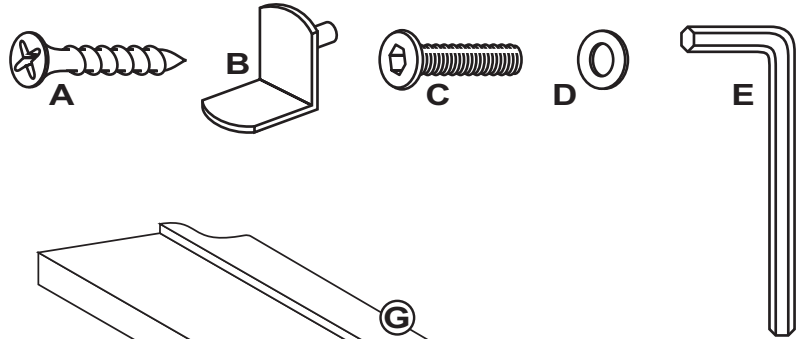
Examine all packaging material for small parts that may have come loose during shipment. Periodic checks are recommended to insure that all components are in proper position, tight and free from damage. Keep this assembly instruction for future reference. Adult assembly is required. Customer Service Phone Number: 502-562-0000

HARDWARE LIST

PARTS LIST

- A (8) Wood Screws M8 x 1 1/2"
- B (4) Shelf Supports
- C (8) Allen Bolts 1/4" x 1"
- D (8) Flat Washers 1/4"
- E (1) Allen Wrench 1/4"

- F (1) Bar
- G (1) Bar Top
- H (1) Shelf
- J (2) Fasteners



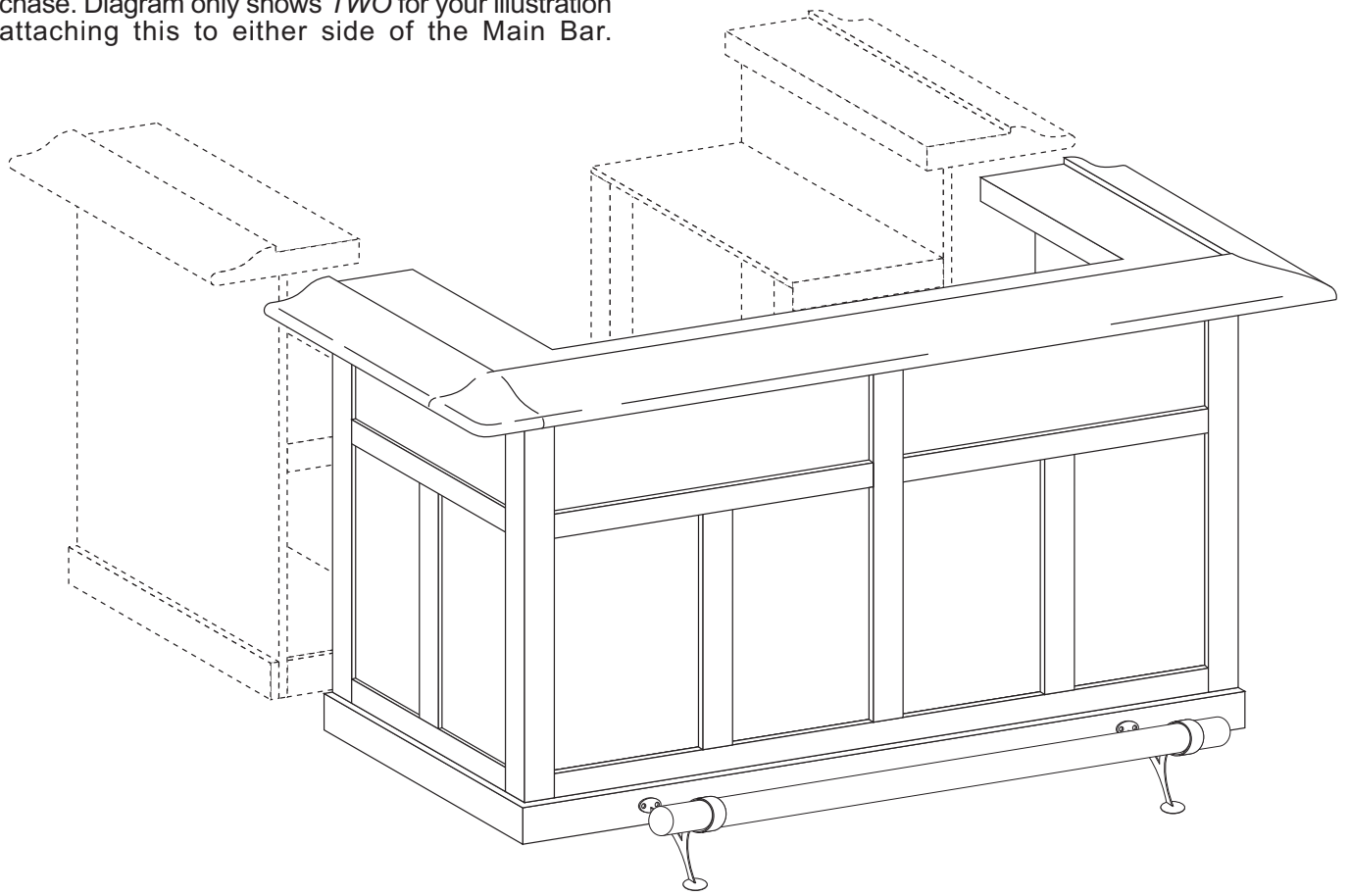
STEP 1

Begin assembly by attaching the Bar Top (G) to the Bar (F) by aligning holes and securing with 8 Wood Screws (A) to hold in place. Tighten all screws only using a phillips head screwdriver (*Not Included).

STEP 2

Insert each Shelf Support (B) and carefully insert the Shelf (H) and place on top of each support. The shelf should be sitting on an even plane. The assembly is now complete.

NOTE: Only *ONE* Side Bar is included with your purchase. Diagram only shows *TWO* for your illustration of attaching this to either side of the Main Bar.



*** * * ASSEMBLY * * ***

Once you have decided which side you will be attaching your Side Bar, attach each Wood Brace (J) to bottom of each Bar Top on Large Bar & Side Bar, using 4 Allen Bolts (C) & 4 Metal Washers (D) per each brace. Tighten all bolts only using Allen Wrench (E) provided. The assembly of your Bar is now complete. Please keep this instruction sheet for future references.

