



Date: 08-29-05

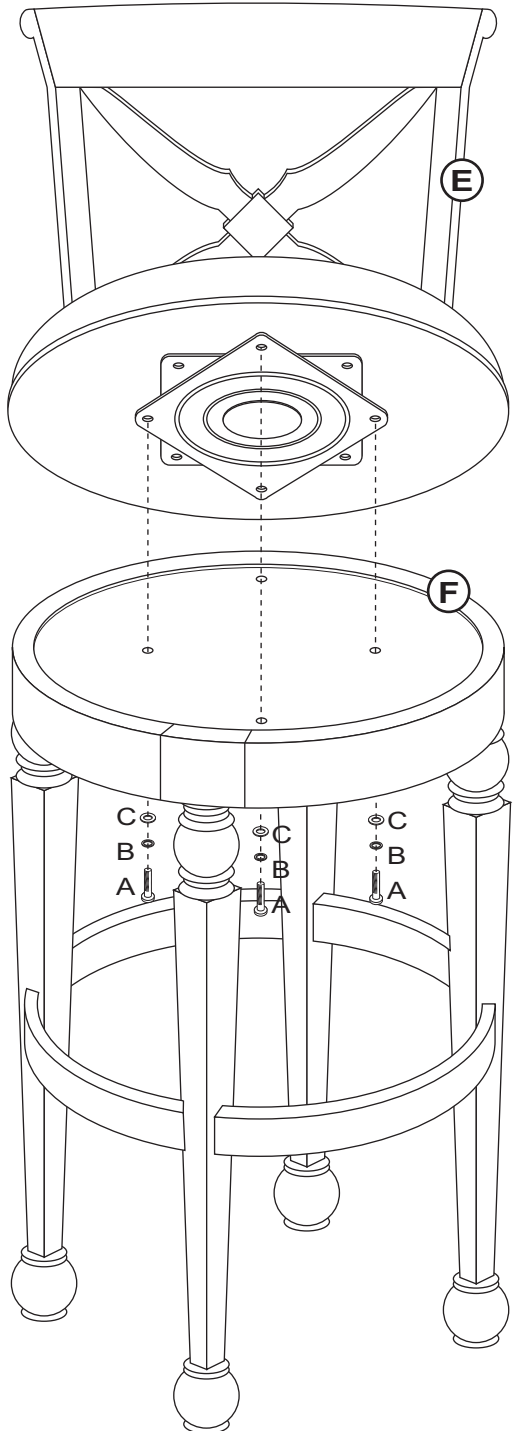
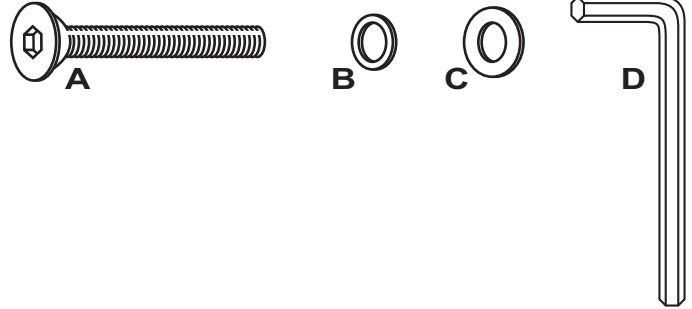
NORMANDY SWIVEL STOOLS

Model #'s: 41397/41509/41501/41407/4375-826/4586-827/4585-827/4375-827/4586-826/4585-826/4586-828/4585-828/4375-828/4586-829/4585-829/4439-826 24" Swivel Counter Stools

Model #'s: 41398/41052/41408/41406/4375-830/4586-832/4375-831/4586-830/4585-830/4586-832/4586-831/4585-831/4585-832/4375-832/4586-833/4585-833 30/4439-830" Swivel Bar Stools

Examine all packaging material for small parts that may have come loose during shipment. Periodic checks are recommended to insure that all components are in proper position, tight and free from damage. Keep this assembly instruction for future reference. Adult assembly required. Online Parts Request: parts.request@hillsdalefurniture.com - Customer Service Phone Number: 502-562-0000

- | HARDWARE LIST | PARTS LIST |
|----------------------|------------------|
| A (4) Allen Bolts | E (1) Stool Back |
| B (4) Spring Washers | F (1) Stool Base |
| C (4) Flat Washers | |
| D (1) Allen Wrench | |



*** ASSEMBLY ***

Begin assembly by attaching the Stool Back (E) to Stool Base (F), using 4 Allen Bolts (A), 4 Spring Washers (B) & 4 Flat Washers (C) from the bottom side, through and into the swivel plate. Tighten all bolts using the Allen Wrench (D) provided. The assembly of your new stool is complete.

CARE & MAINTENANCE: The touch of a soft cloth is all the maintenance the finish will ever need. Please do not use harsh or abrasive cleaners for polishing, as they may cause damage to the finish. Periodic checks are recommended to make sure that all bolts, screws and nuts are securely tightened.