



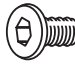


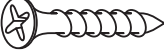

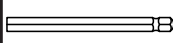





Examine all packaging material for small parts that may have come loose during shipment. Periodic checks are recommended to insure that all components are in proper position, tight and free from damage. Keep this assembly instruction for future reference. Adult assembly is required. The product of Hillsdale Furniture, LLC is designed for residential use only. Customer Service Phone Number: 502-562-0000

### HARDWARE LIST

- A (4) 5/16" x 22mm Flat Washers
- B (4) 5/16" Spring Washers
- C (4) 5/16" x 1-3/4" Bolts
- D (1) 5/16" Allen Wrench
- E (6) 1/4" x 15mm Bolts
- F (4) 1/4" x 1-1/2" Bolts
- G (3) Metal Brackets
- H (4) #8 x 1-1/2" Screws
- I (4) 1/4" x 1" Bolts
- J (1) 1/4" x 4" Straight Allen Wrench
- K (1) 1/4" Allen Wrench
- L (8) 1/4" x 19mm Flat Washers
- M (8) 1/4" Spring Washers

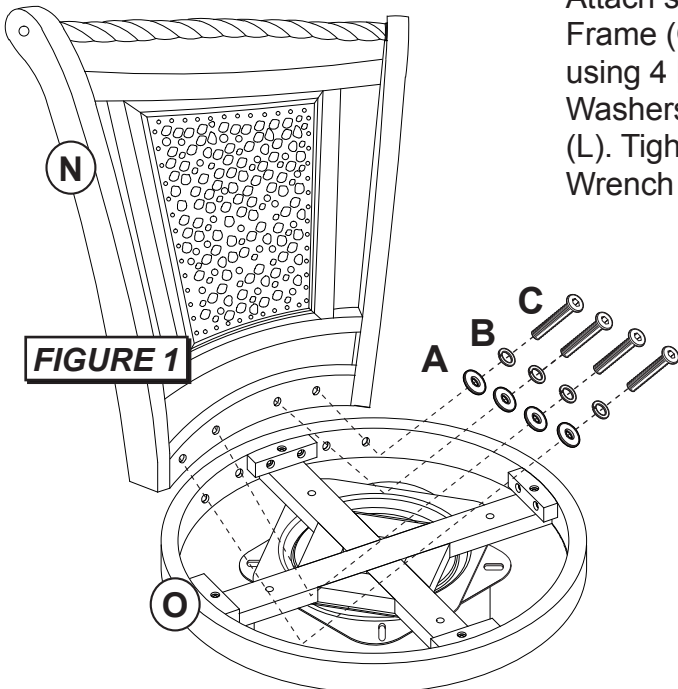
PART	QTY	HARDWARE	PART	QTY	HARDWARE	PART	QTY	HARDWARE
A	4		B	4		C	4	
D	1		E	6		F	4	
G	3		H	4		I	4	
J	1		K	1		L	8	
M	8							

### PARTS LIST

- N (1) Chair Back
- O (1) Seat Frame
- P (2) Leg Panels
- Q (1) Bottom Round Stretcher
- R (1) Seat Cushion

### STEP 1 - Figure 1

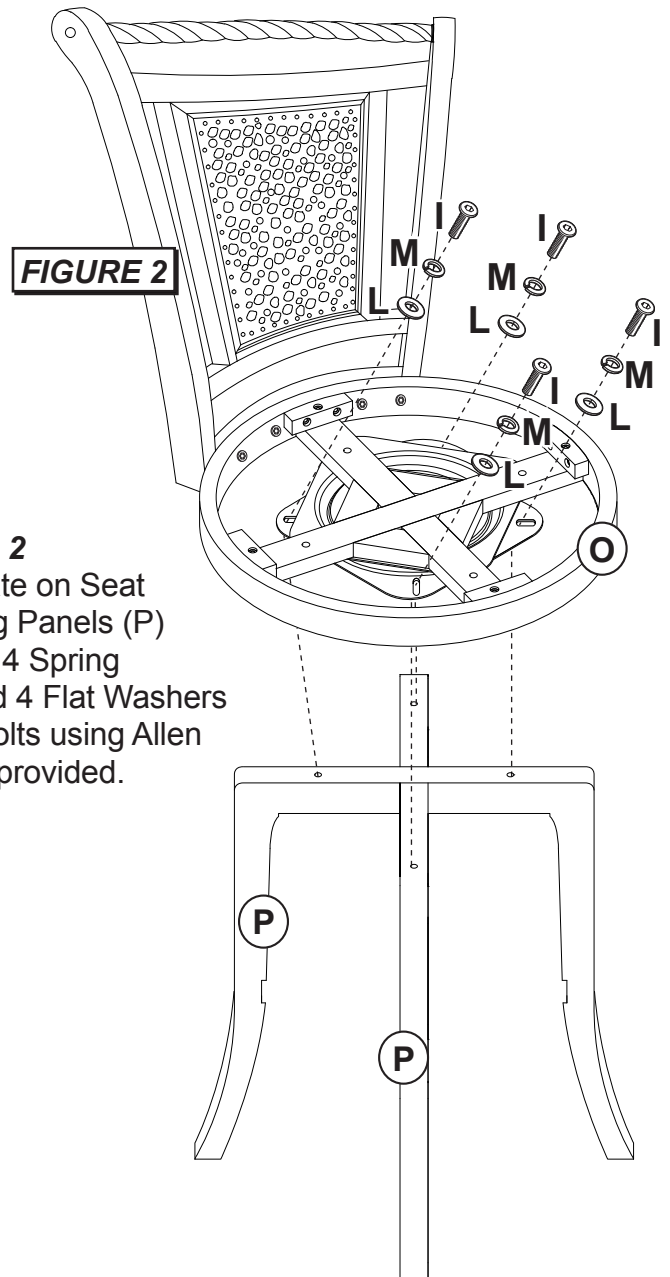
Begin assembly by attaching Seat Frame (O) to Chair Back (N) using 4 Bolts (C), 4 Spring Washers (B) and 4 Flat Washers (A). Tighten all bolts using Allen Wrench (D) provided.



### FIGURE 2

### STEP 2 - Figure 2

Attach swivel plate on Seat Frame (O) to Leg Panels (P) using 4 Bolts (I), 4 Spring Washers (M) and 4 Flat Washers (L). Tighten all bolts using Allen Wrench (J or K) provided.

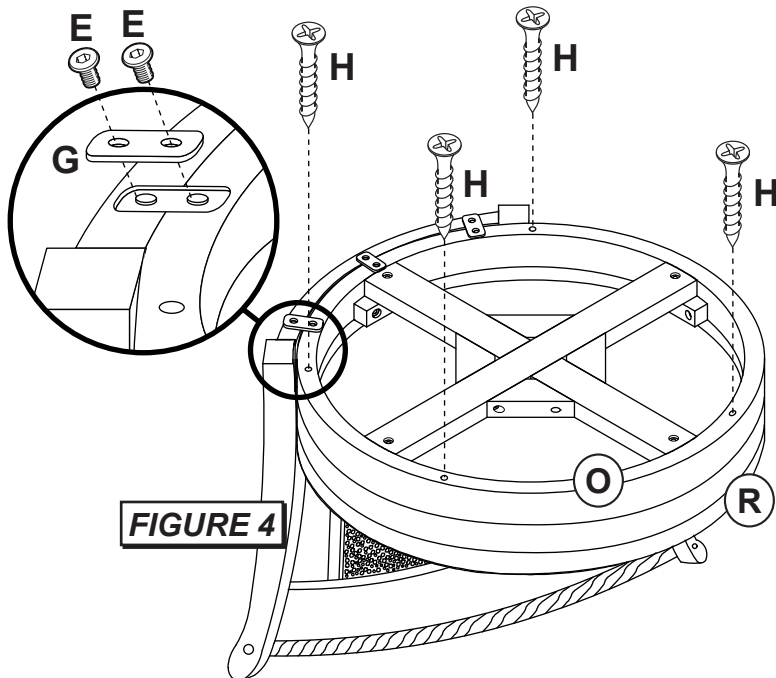
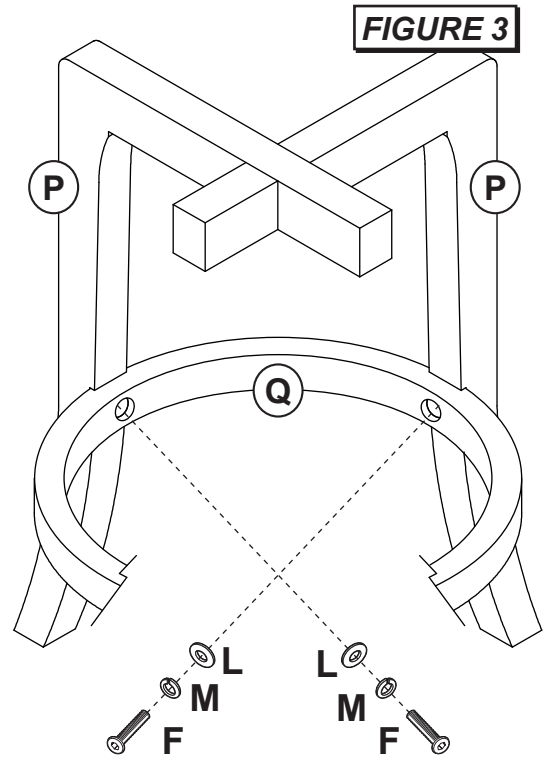


**STEP 3 - Figure 3**

Insert Bottom Round Stretcher (Q) in between Leg Panels (P) and secure with 4 Bolts (F), 4 Spring Washers (M) and 4 Flat Washers (L). Tighten bolts with Allen Wrench (J or K) provided.

**STEP 4 - Figure 4**

Insert Brackets on to bottom of Seat Frame (O) and secure with 2 Bolts (E) per bracket. Tighten bolts with Allen Wrench (J or K) provided.



**STEP 5 - Figure 4**

Secure Seat Cushion (R) to Seat Frame (O) with 4 Screws (H). Tighten screws with Philips head screwdriver (not included). The assembly is now complete.