



MADDIE DUO PANEL

Model #325-34 Twin

Model #325-49 Full

Model #325-67 King

CUSTOMER SERVICE

PHONE NUMBER

(502) 562-0000

DATE: 10-25-01

Examine all packaging material for small parts that may have come loose during shipment. Periodical checks are recommended to insure that all components are in proper position, tight and free from damage. Keep this assembly instruction for future reference.

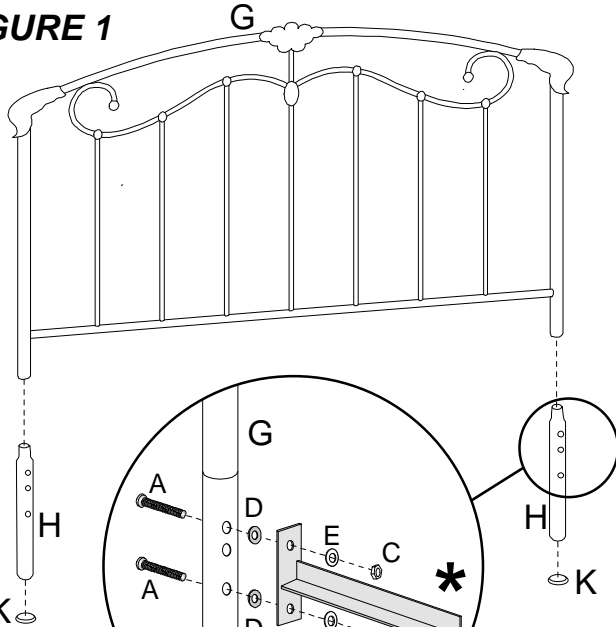
TOOLS REQUIRED FOR ASSEMBLY: Allen Wrench (Supplied) Open Ended Wrench (Not Supplied).

- HARDWARE LIST**
- A (4) Long Allen Bolts
 - B (4) Short Allen Bolts
 - C (4) Hex Nuts
 - D (4) Rubber Washers
 - E (4) Metal Washers
 - F (1) Allen Wrench

- PARTS LIST**
- G (1) Duo Panel
 - H (2) Leg Extensions
 - J (2) Castings
 - K (4) Foot Glides



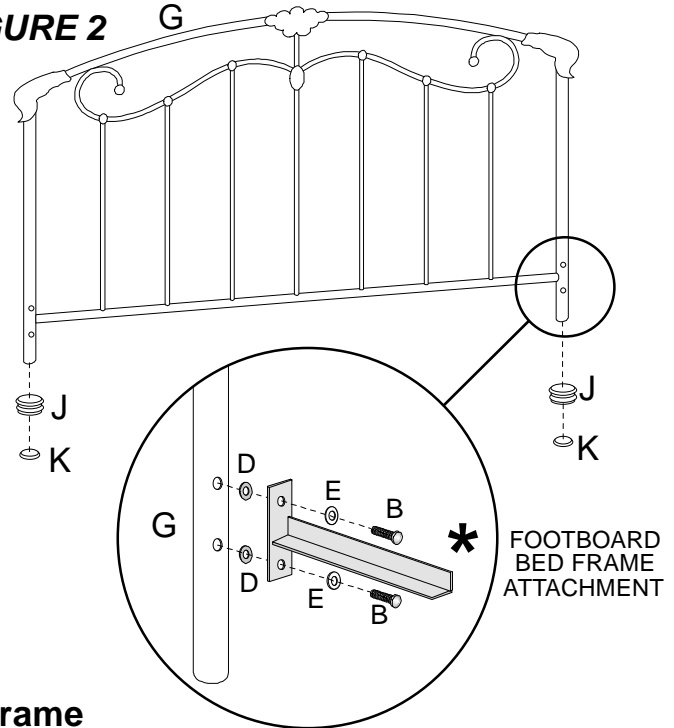
FIGURE 1



HEADBOARD
BED FRAME
ATTACHMENT

FIGURE 3

FIGURE 2



FOOTBOARD
BED FRAME
ATTACHMENT

FIGURE 4

*** Bed Frame
Not Included**
Only Bed Frame
Bracket Shown
In Figures 3 & 4

STEP 1 FOR HEADBOARD ASSEMBLY ONLY [SEE FIGURE 1]

Insert each Leg Extension (J) into bottom of 1 Duo Panel (G) Posts. Attach 2 Castings (J) to bottom of posts on Duo Panel (G) without leg extensions. Attach Foot Glides (K) to bottom of each leg extension, and bottom of each casting.

STEP 2 FOR HEADBOARD ASSEMBLY ONLY [SEE FIGURE 3]

Attach Bed Frame (Not Included) to Duo Panel (G) using 2 Long Allen Bolts (A), 2 Rubber Washers (D), 2 Metal Washers (E) and 2 Hex Nuts (C). Tighten All Bolts and Nuts.

STEP 3 ONLY IF 2 DUO PANELS ARE PURCHASED, THEN USED AS A FOOTBOARD [SEE FIGURES 2 & 4]

Attach Bed Frame (Not Included) to Duo Panel (G) using 2 Short Allen Bolts (B), 2 Metal Washers (E) and 2 Rubber Washers (D). Tighten All Bolts. Please Discard Leg Extensions (H) as they are not needed for the Footboard. Insert Foot Glides (J) into bottom of Duo Panel (G) Posts.

CARE & MAINTENANCE: The touch of a soft cloth is all the maintenance the finish of your new Duo Panel will ever need. Never use harsh or abrasive cleaners for polishing. Periodic checks are recommended to make sure that all bolts, screws and nuts are securely tightened.