



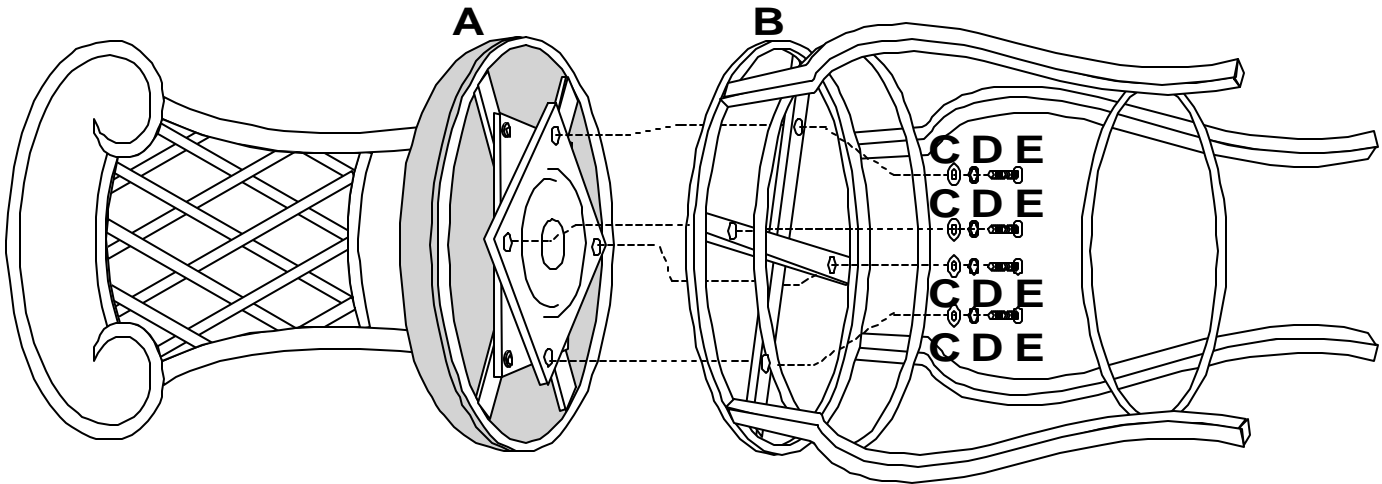
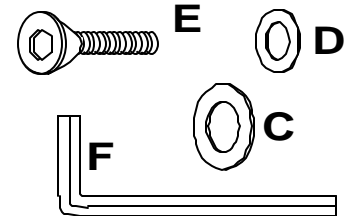
24" ROOSTER BARSTOOL (SWIVEL)  
 Model #41344  
 30" ROOSTER BARSTOOL (SWIVEL)  
 Model #41345

Customer Service  
 Phone Number:  
 502 / 562-0000  
 01-25-02

Examine all packaging material for small parts that may have come loose during shipment. Periodic checks are recommended to insure that all components are in proper position, tight and free from damage. Keep this assembly instruction for future reference. **ONLINE PARTS REQUEST FORM:**  
[www.hillsdalehouse.com/parts\\_request.html](http://www.hillsdalehouse.com/parts_request.html)

TOOLS REQUIRED FOR ASSEMBLY: ALLEN WRENCH SUPPLIED)

- | PARTS              | HARDWARE             |
|--------------------|----------------------|
| A (1) Back Section | C (4) Metal Washers  |
| B (1) Seat Base    | D (4) Spring Washers |
|                    | E (4) Allen Bolts    |
|                    | F (1) Allen Wrench   |



**STEP 1**

Two people recommended for assembly.

**STEP 2**

Carefully unpack your Swivel Barstool parts and hardware.

**STEP 3**

One person holds Back Section (A) and Seat Base (B) as shown above.

**STEP 4**

Align holes on Back Section (A) with holes on Seat Base (B).

**STEP 5**

Secure Back Section (A) to the Seat Base (B) using 1 Allen Bolt (E), 1 Spring Washer (D), and 1 Metal Washer (C) per connection. Tighten all bolts.

**STEP 6**

Carefully stand the barstool in an upright position.

**CARE INSTRUCTIONS**

Dust with a clean soft cloth, or use an old T-shirt or cheesecloth. Surfaces also can be cleaned with a mild non-alkaline soap and water. Dry immediately with a soft cloth. Always lift furniture to move it, Never drag it. Save these instructions for future use.