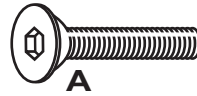


Examine all packaging material for small parts that may have come loose during shipment. Periodic checks are recommended to insure that all components are in proper position, tight and free from damage. Keep this assembly instruction for future reference. Adult assembly required. Online Parts Request: parts.request@hillsdalefurniture.com - Customer Service Phone Number: 502-562-0000

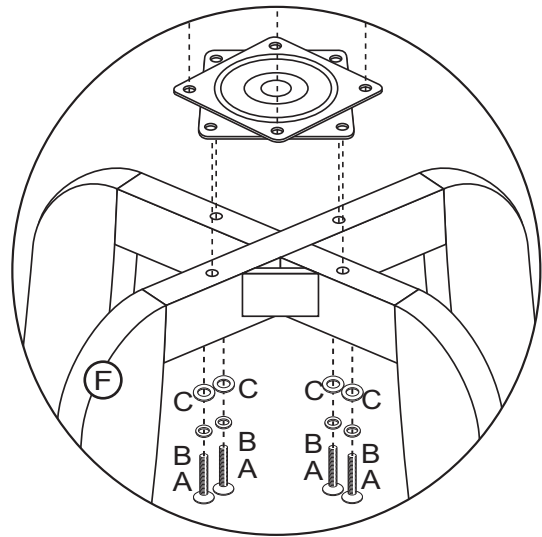
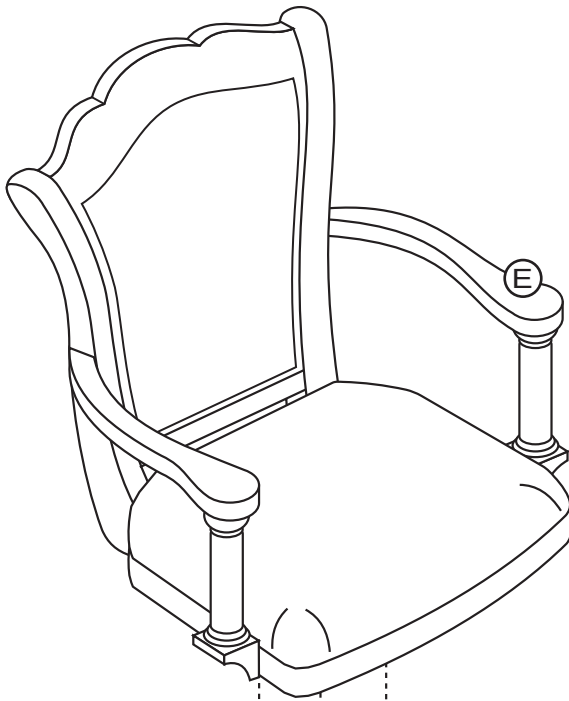
HARDWARE LIST

PARTS LIST

- | | |
|----------------------|----------------------|
| A (4) Allen Bolts | E (1) Top Section |
| B (4) Spring Washers | F (1) Bottom Section |
| C (4) Flat Washers | |
| D (1) Allen Wrench | |



TOOLS REQUIRED FOR ASSEMBLY:
ALLEN WRENCH (INCLUDED)



***** ASSEMBLY *****

Attach Swivel Unit that is pre-attached to Top Section (E) to Bottom Section (F), using 4 Allen Bolts (A), 4 Spring Washers (B) & 4 Metal Washers (C) to hold in place. Tighten all bolts. The Assembly of your new Stool is now complete.

The illustration shown above, is a generic drawing of assembly of the original item you purchased.

CARE & MAINTENANCE: The touch of a soft cloth is all the maintenance the finish will ever need. Please do not use harsh or abrasive cleaners for polishing, as they may cause damage to the finish. Periodic checks are recommended to make sure that all bolts, screws and nuts are securely tightened.