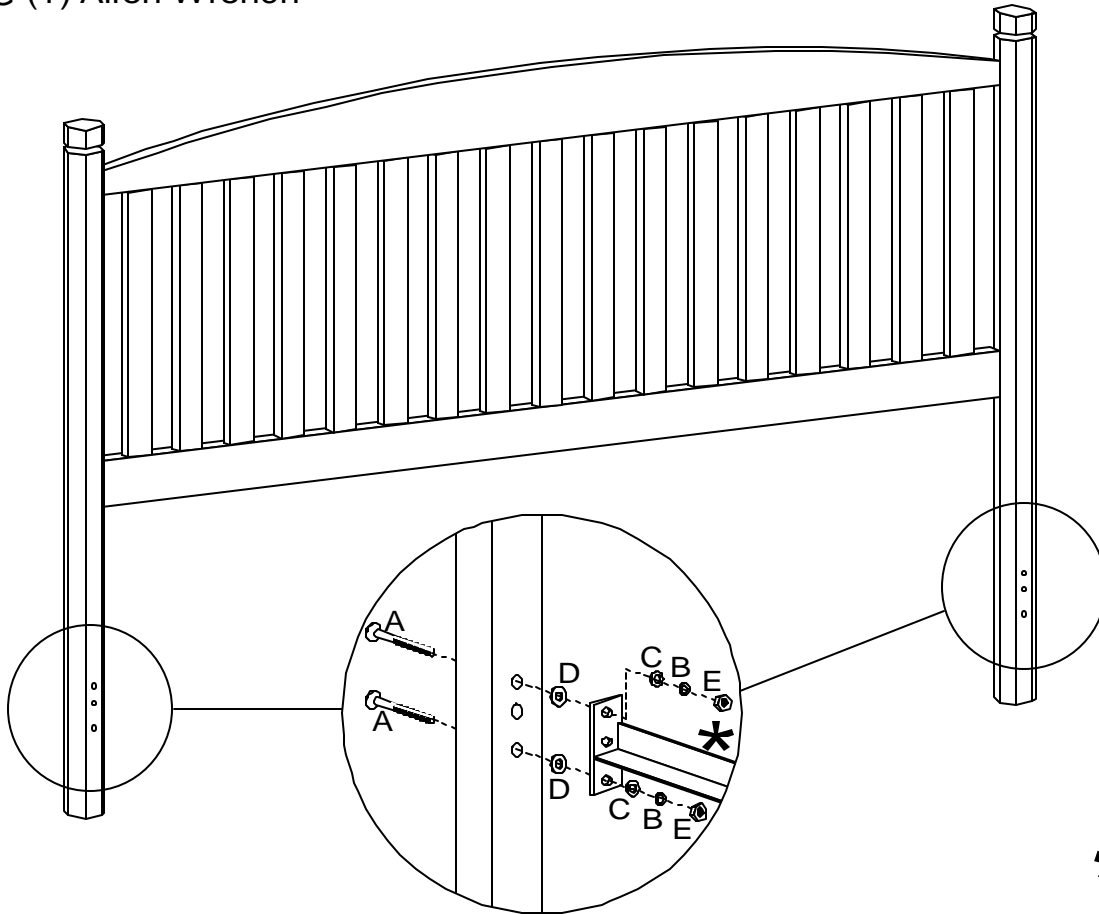
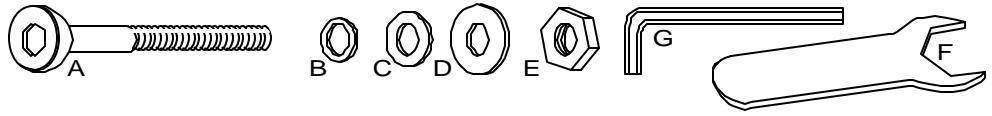


Examine all packaging material for small parts that may have come loose during shipment. Periodic checks are recommended to insure that all components are in proper position, tight and free from damage. Keep this assembly instruction for future reference. Adult assembly required. Online Parts Request Form: [www.hillsdalehouse.com/parts\\_request.html](http://www.hillsdalehouse.com/parts_request.html)

**HARDWARE LIST**

- A (4) Allen Bolts
- B (4) Spring Washers
- C (4) Metal Washers
- D (4) Rubber Washers
- E (4) Hex Nuts
- F (1) Open End Wrench
- G (1) Allen Wrench



**\* Bed Frame Not Included. Bed Frame Shown In Figure 1.**

**\*\*\* ASSEMBLY \*\*\***

Attach each Bed Frame (\*Not Included) to posts on Headboard, using 2 Allen Bolts (A), 2 Rubber Washers (D), 2 Metal Washers (C), 2 Spring Washers (B) & 2 Hex Nuts (E) per each side. Only Hand Tighten Bolts & Nuts using Allen Wrench & Open End Wrench (G & F) once both bed frames have been attached. See Figure above for illustrated details.

**CARE & MAINTENANCE:** The touch of a soft cloth is all the maintenance the finish of your new Headboard will ever need. Never use harsh or abrasive cleaners for polishing. Periodic checks are recommended to make sure that all bolts, screws and nuts are securely tightened.