

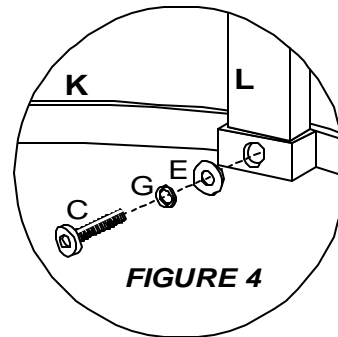
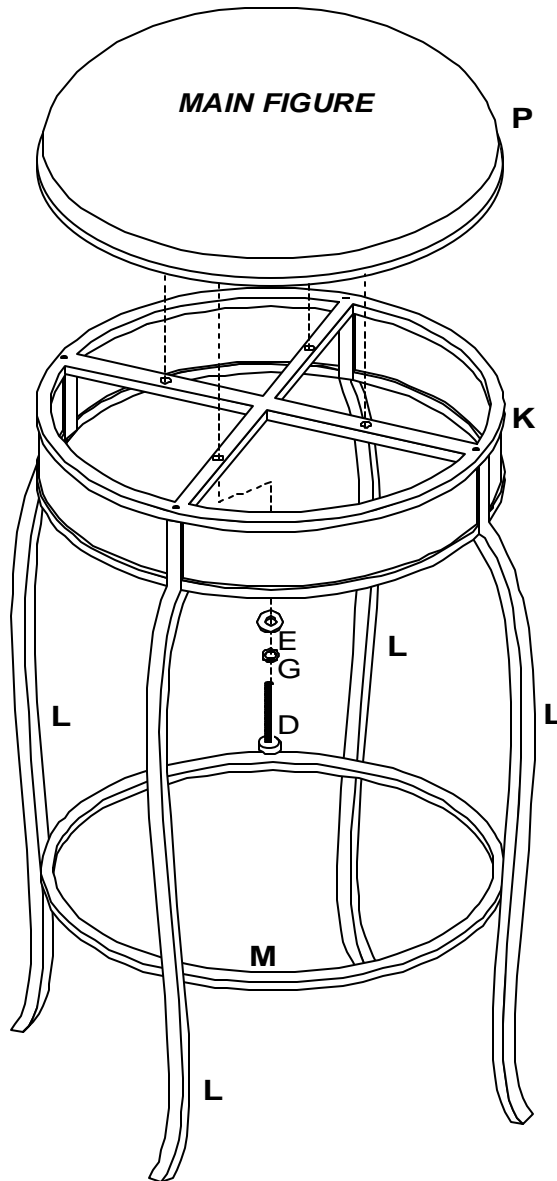
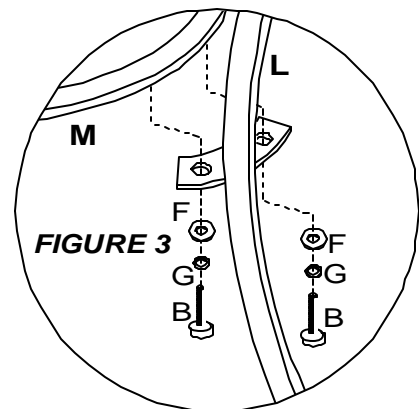
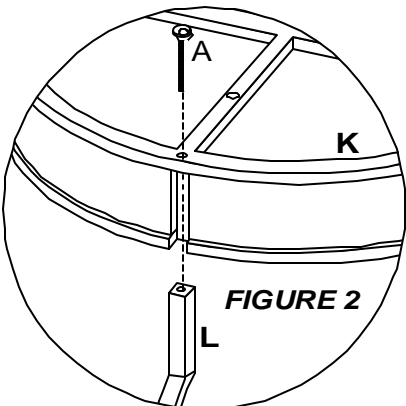
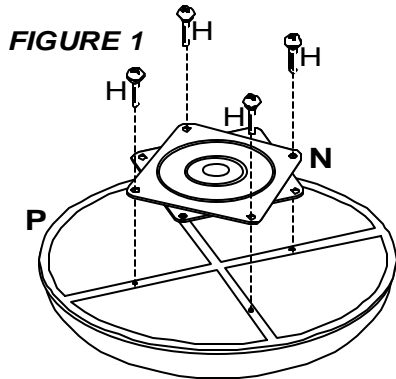
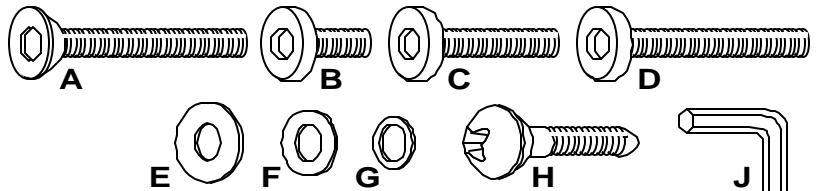
Examine all packaging material for small parts that may have come loose during shipment. Periodic checks are recommended to insure that all components are in proper position, tight and free from damage. Keep this assembly instruction for future reference. Adult assembly required. Online Parts Request Form: [www.hillsdalehouse.com/parts\\_request.html](http://www.hillsdalehouse.com/parts_request.html)

**HARDWARE LIST**

- A (4) Long Sunk Bolts
- B (8) Short Allen Bolts
- C (4) Medium Allen Bolts
- D (4) Long Allen Bolts
- E (8) Large Metal Washers
- F (8) Small Metal Washers
- G (16) Spring Washers
- H (4) Wood Screws
- J (1) Allen Wrench

**PARTS LIST**

- K (1) Seat Base
- L (4) Legs
- M (1) Support Ring
- N (1) Swivel Unit
- P (1) Seat Cushion



**STEP 1** See Figure 1

Begin assembly by attaching Swivel Unit (N) to bottom side of Seat Cushion (P), using 4 Wood Screws (H) to hold tight in place. Tighten screws only using a phillips head screwdriver (not included).

**STEP 2** See Figure 2

Attach each Leg (L) to Seat Base (K), by sliding each leg into place. Use 1 Long Sunk Bolt (A) from the top to hold each leg in place. Only hand tighten bolts for this step.

**STEP 3** See Figure 3

Attach Support Ring (M) to each Leg (L), using 2 Short Allen Bolts (B), 2 Spring Washers (G) & 2 Small Metal Washers (F) per each leg. Only hand tighten bolts for this step.

**STEP 4** See Figure 4

Finally, insert 1 Medium Allen Bolt (C), 1 Spring Washer (G) & 1 Large Metal Washer (E) into back side of each leg into Seat Base (K) to hold in place. Tighten all bolts from Steps 2 through 4 here.

**STEP 5** See Main Figure

Attach Seat Cushion (P) to Seat Base (K), using 4 Long Allen Bolts (D), 4 Spring Washer (G) & 4 Large Metal Washers (E) through Swivel Unit (N). Tighten all bolts. The assembly is now complete.

**CARE & MAINTENANCE:** The touch of a soft cloth is all the maintenance the finish will ever need. Please do not use harsh or abrasive cleaners for polishing, as they may cause damage to the finish. Periodic checks are recommended to make sure that all bolts, screws and nuts are securely tightened.