

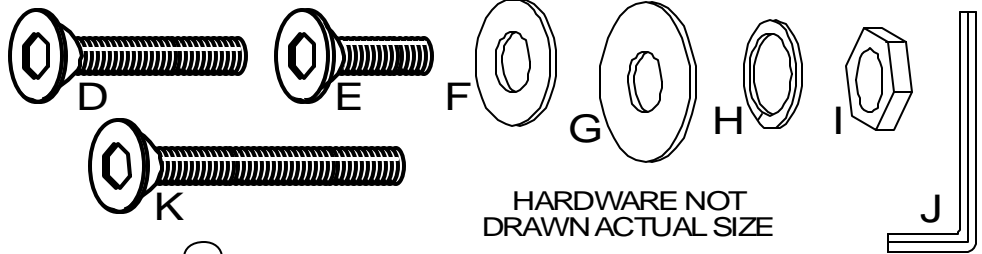
UNLESS OTHERWISE STATED, PLEASE DO NOT TIGHTEN BOLTS (AND/OR) SCREWS UNTIL UNIT IS COMPLETELY ASSEMBLED ON A FLAT SURFACE. Examine all packaging material for small parts that may have come loose during shipment. Periodic checks are recommended to insure that all components are in proper position, tight and free from damage. Keep this assembly instruction for future reference. Adult assembly required. Online Parts Request Form: [www.hillsdalehouse.com/parts\\_request.html](http://www.hillsdalehouse.com/parts_request.html)

**PARTS LIST**

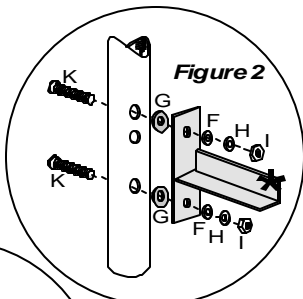
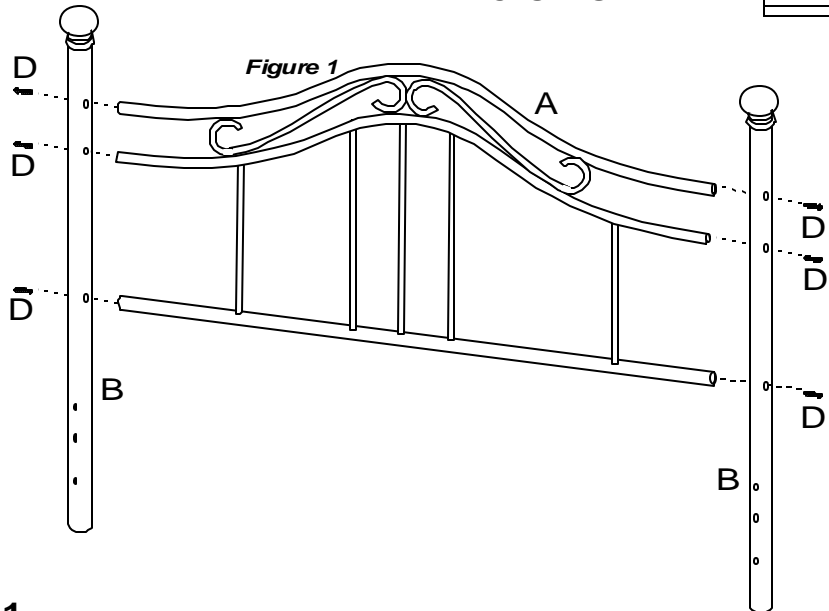
- A (1) Headboard Panel
- B (2) Wood Posts
- C (2) Adapter Plates

**HARDWARE LIST**

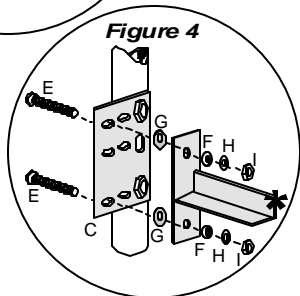
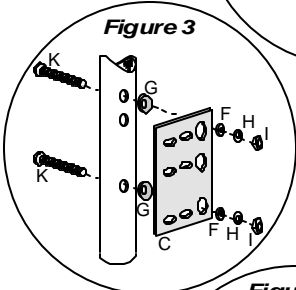
- D (6) Medium Allen Bolts
- E (4) Short Allen Bolts
- F (8) Metal Washers
- G (8) Rubber Washers
- H (8) Spring Washers
- I (8) Hex Nuts
- J (1) Allen Wrench
- K (4) Long Allen Bolts



HARDWARE NOT DRAWN ACTUAL SIZE



\* BED FRAME NOT IN INCLUDED



**STEP 1**

Attach Bed Posts (B) to Headboard Panel (A), using 3 Medium Allen Bolts (D) per each side. Tighten All Bolts. See Figure 1.

**STEP 2 For Queen Size Only**

Attach Bed Frame (\*Not Included) to each Post (B), using 2 Long Allen Bolts (K), 2 Rubber Washers (G), 2 Metal Washers (F), 2 Spring Washers (H) & 2 Hex Nuts (I) per each side. Tighten All Bolts & Nuts. See Figure 2. *Discard remaining hardware ONLY IF this is for the Queen Size Headboard. See Steps 3 & 4 for Full Size Assembly.*

**STEP 3 For Full Size Only**

Attach Adapter Plate (C) to each Post (B), using 2 Long Allen Bolts (K), 2 Rubber Washers (G), 2 Metal Washers (F), 2 Spring Washers (H) & 2 Hex Nuts (I) per each plate. Tighten All Bolts. See Figure 3.

**STEP 4 For Full Size Only**

Attach Bed Frame (\*Not Included) to each Adapter Plate (C), using 2 Short Allen Bolts (E), 2 Rubber Washers (G), 2 Metal Washers (F), 2 Spring Washers (H) & 2 Hex Nuts (I) per each side. Tighten All Bolts. See Figure 4. Assembly is now complete.

**CARE & MAINTENANCE** The touch of a soft cloth is all the maintenance the finish of your new WINSLOH HEADBOARD will ever need. Never use harsh or abrasive cleaners for polishing. Periodic checks are recommended to make sure that all bolts, screws and nuts are securely tightened.