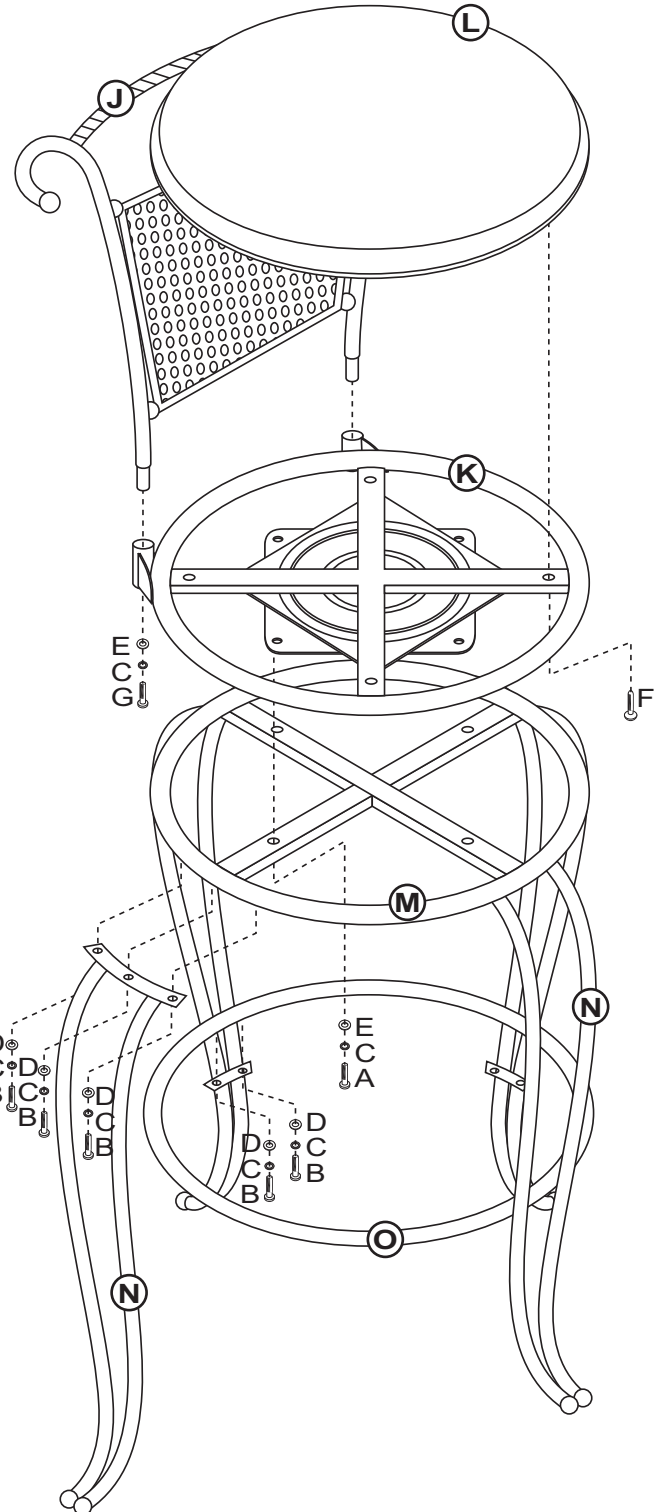
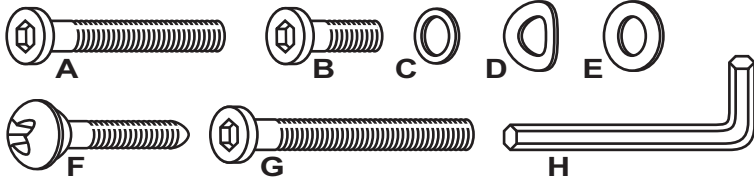


Examine all packaging material for small parts that may have come loose during shipment. Periodic checks are recommended to insure that all components are in proper position, tight and free from damage. Keep this assembly instruction for future reference. Adult assembly required. Online Parts Request: [parts.request@hillsdalefurniture.com](mailto:parts.request@hillsdalefurniture.com) - Customer Service Phone Number: 502-562-0000

**HARDWARE LIST**

**PARTS LIST**

- |                          |                    |
|--------------------------|--------------------|
| A (4) Medium Allen Bolts | J (1) Stool Back   |
| B (20) Short Allen Bolts | K (1) Seat Base    |
| C (26) Spring Washers    | L (1) Seat Cushion |
| D (20) Camber Washers    | M (1) Stool Base   |
| E (6) Flat Washers       | N (4) Legs         |
| F (4) Wood Screws        | O (1) Support Ring |
| G (2) Long Allen Bolts   |                    |
| H (1) Allen Wrench       |                    |



**STEP 1**

Begin assembly by attaching each Leg (N) to the bottom side of Stool Base (M) using 3 Short Allen Bolts (B), 3 Spring Washers (C) & 3 Camber Washers (D) per each leg. Do not fully tighten bolts.

**STEP 2**

Next, attach Support Ring (O) to each Leg (N) using 2 Short Allen Bolts (B), 2 Spring Washers (C) & 2 Camber Washers (D) per each leg. Tighten all bolts from Steps 1 & 2.

**STEP 3**

Attach Stool Back (J) to Seat Base (K) by sliding each end into metal slots on the back side and tighten using 1 Long Allen Bolt (G), 1 Spring Washer (C) & 1 Flat Washer (E) per each side. Tighten all bolts.

**STEP 4**

Attach Seat Cushion (L) to Seat Base (K) using 4 Wood Screws (F) to hold in place. Only tighten screws using a phillips head screwdriver (not included) as power tools may damage the parts and/or hardware.

**STEP 5**

Attach Seat Base (K) to Stool Base (M) using 4 Medium Allen Bolts (A), 4 Spring Washers (C) & 4 Flat Washers (E) to hold in place. Tighten all bolts. The assembly of your stool is now complete.

**CARE & MAINTENANCE:** The touch of a soft cloth is all the maintenance the finish will ever need. Please do not use harsh or abrasive cleaners for polishing, as they may cause damage to the finish. Periodic checks are recommended to make sure that all bolts, screws and nuts are securely tightened.