

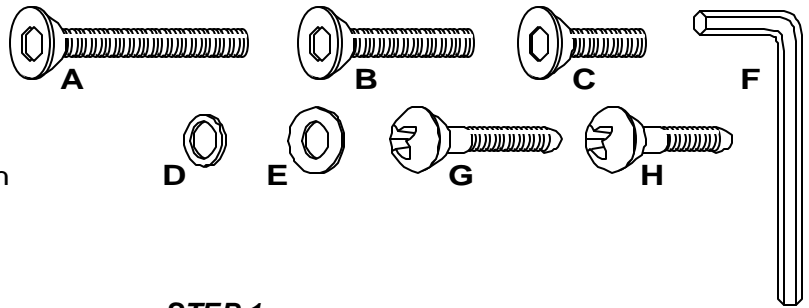
Examine all packaging material for small parts that may have come loose during shipment. Periodic checks are recommended to insure that all components are in proper position, tight and free from damage. Keep this assembly instruction for future reference. Adult assembly required. Online Parts Request Form: [www.hillsdalehouse.com/parts\\_request.html](http://www.hillsdalehouse.com/parts_request.html)

**HARDWARE LIST**

- A (4) Long Allen Bolts
- B (4) Middle Allen Bolts
- C (1) Short Allen Bolt
- D (9) Spring Washers
- E (9) Metal Washers
- F (1) Allen Wrench
- G (6) Long Wood Screws
- H (6) Short Wood Screws
- J (1) Wood Glue

**PARTS LIST**

- K (1) Chair Back
- L (1) Seat Base
- M (2) Front Legs
- N (2) Side Rails
- P (1) Front Rail
- R (1) Seat Cushion



**STEP 1**

Begin assembly by attaching Seat Base (L) to Stool Back (K), using 2 Long Allen Bolts (A), 2 Spring Washers (D) & 2 Metal Washers (E) per each corner. Also, use 1 Small Allen Bolt (C), 1 Spring Washer (D) & 1 Metal Washer (E) in the middle. Tighten all bolts only using Allen Wrench (F) provided.

**STEP 2**

Next, attach each Front Leg (M) to Seat Base (L), using 2 Medium Allen Bolts (B), 2 Spring Washers (D) & 2 Metal Washers (E) per each leg. Only tighten bolts lightly by hand, allowing each leg some room to move.

**STEP 3**

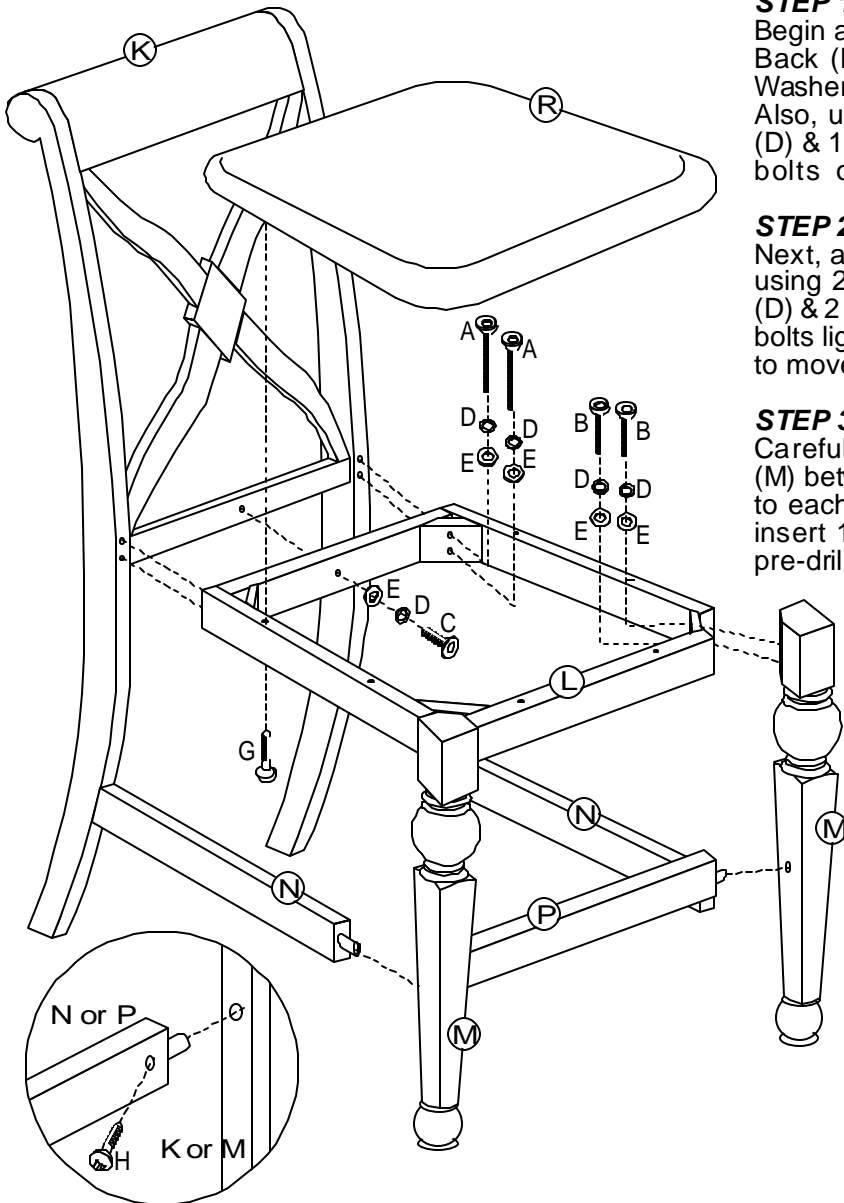
Carefully, attach Front Rail (P) to each Front Leg (M) between legs, by applying some Wood Glue (J) to each end, and insert into place. Once in place, insert 1 Short Wood Screw (H) per each end into pre-drill hole.

**STEP 4**

Next, carefully attach each Side Rail (N) between ONE Front Leg (M) and back leg on Stool Back (K), by applying some Wood Glue (J) to each end, and insert into place. Once in place, insert 1 Short Wood Screw (H) per each end into pre-drill hole.

**STEP 5**

Finally, attach Seat Cushion (R) to Seat Base (L), using 6 Long Wood Screws (G) to hold in place. Tighten all screws only using a phillips head screwdriver (not included). Power tools are not recommended as they may cause damage to the parts and/or hardware. The assembly is now complete.



**CARE & MAINTENANCE:** The touch of a soft cloth is all the maintenance the finish will ever need. Please do not use harsh or abrasive cleaners for polishing, as they may cause damage to the finish. Periodic checks are recommended to make sure that all bolts, screws and nuts are securely tightened.