

MONTELLO STOOLS

Model #4361-827/828 Swivel Counter Stools

Model #4361-831/832 Swivel Bar Stools

BRIDGEWATER STOOLS

Model #4361-827HDC Swivel Counter Stools

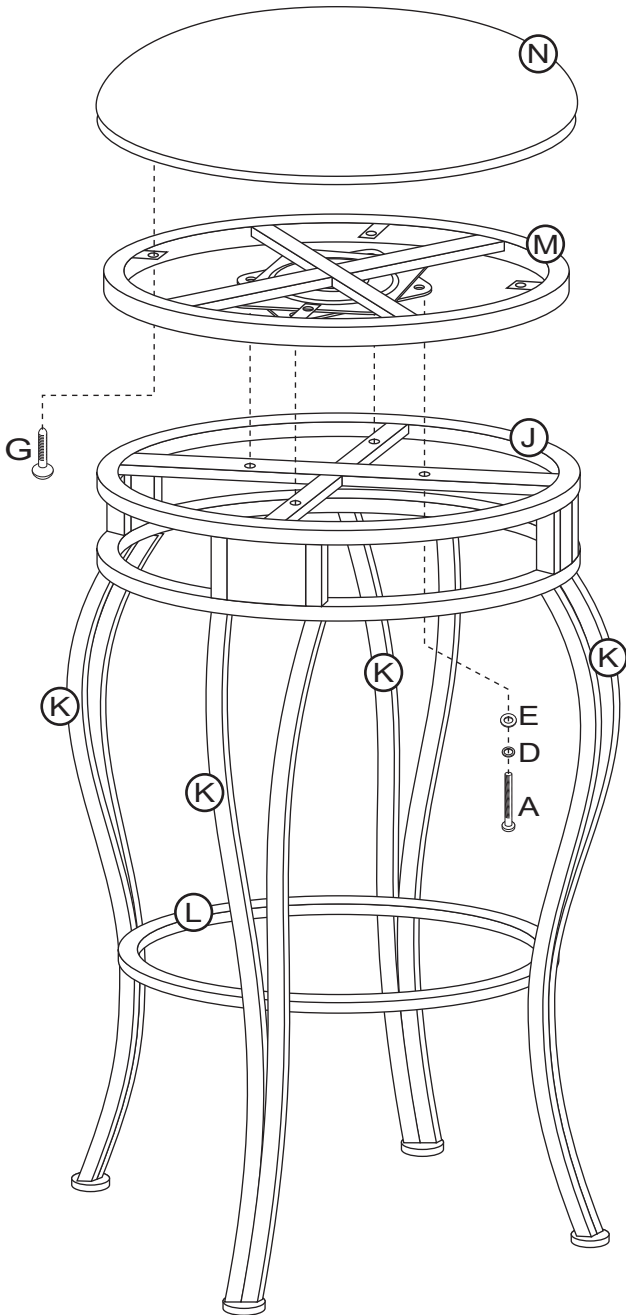
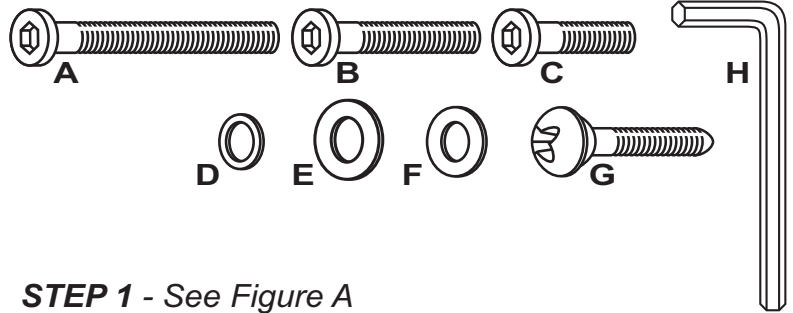
Date: 01-20-06

Examine all packaging material for small parts that may have come loose during shipment. Periodic checks are recommended to insure that all components are in proper position, tight and free from damage. Keep this assembly instruction for future reference. Adult assembly required. Online Parts Request: parts.request@hillsdalefurniture.com - Customer Service Phone Number: 502-562-0000

HARDWARE LIST

PARTS LIST

- | | |
|---------------------------|--------------------|
| A (4) Long Allen Bolts | J (1) Stool Base |
| B (16) Medium Allen Bolts | K (4) Legs |
| C (8) Short Allen Bolts | L (1) Support Ring |
| D (28) Spring Washers | M (1) Seat Ring |
| E (20) Large Flat Washers | N (1) Seat Cushion |
| F (8) Small Flat Washers | |
| G (4) Wood Screws | |
| H (1) Allen Wrench | |



STEP 1 - See Figure A

Begin assembly by first attaching each Leg (K) to Stool Base (J), using 4 Medium Allen Bolts (B), 4 Spring Washers (D) & 4 Large Flat Washers (E) per each leg. Only tighten bolts by hand. See Figure A.

STEP 2 - See Figure B

Next, attach Support Ring (L) to each Leg (K) using 2 Short Allen Bolts (C), 2 Spring Washers (D) & 2 Small Flat Washers (F) per each leg. Tighten all bolts from Steps 1 & 2 only using the Allen Wrench (H) provided.

STEP 3 - See Main Figure

Attach Seat Cushion (N) to Seat Ring (M) using 4 Wood Screws (G) to hold tight in place. Only tighten screws using a phillips head screwdriver as power tools may damage the parts and/or hardware.

STEP 4 - See Main Figure

Finally, attach Seat Ring (M) to Stool Base (J) on cross-section using 4 Long Allen Bolts (A), 4 Spring Washers (D) & 4 Large Flat Washers (E) to hold in place. Tighten all bolts using the Allen Wrench (H). The assembly is now complete.

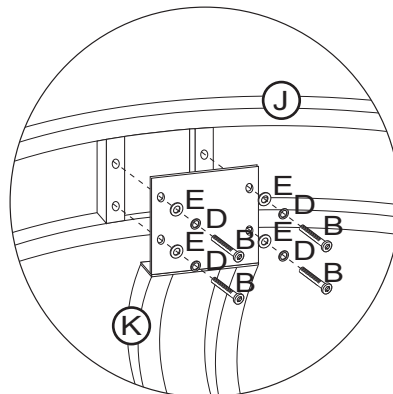


FIGURE A

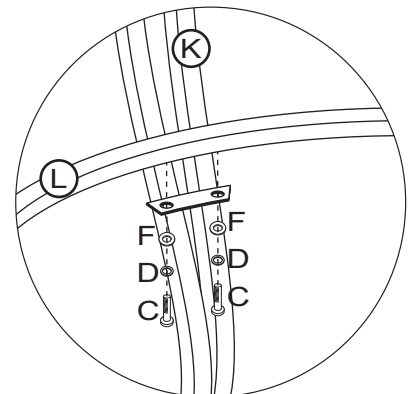


FIGURE B