

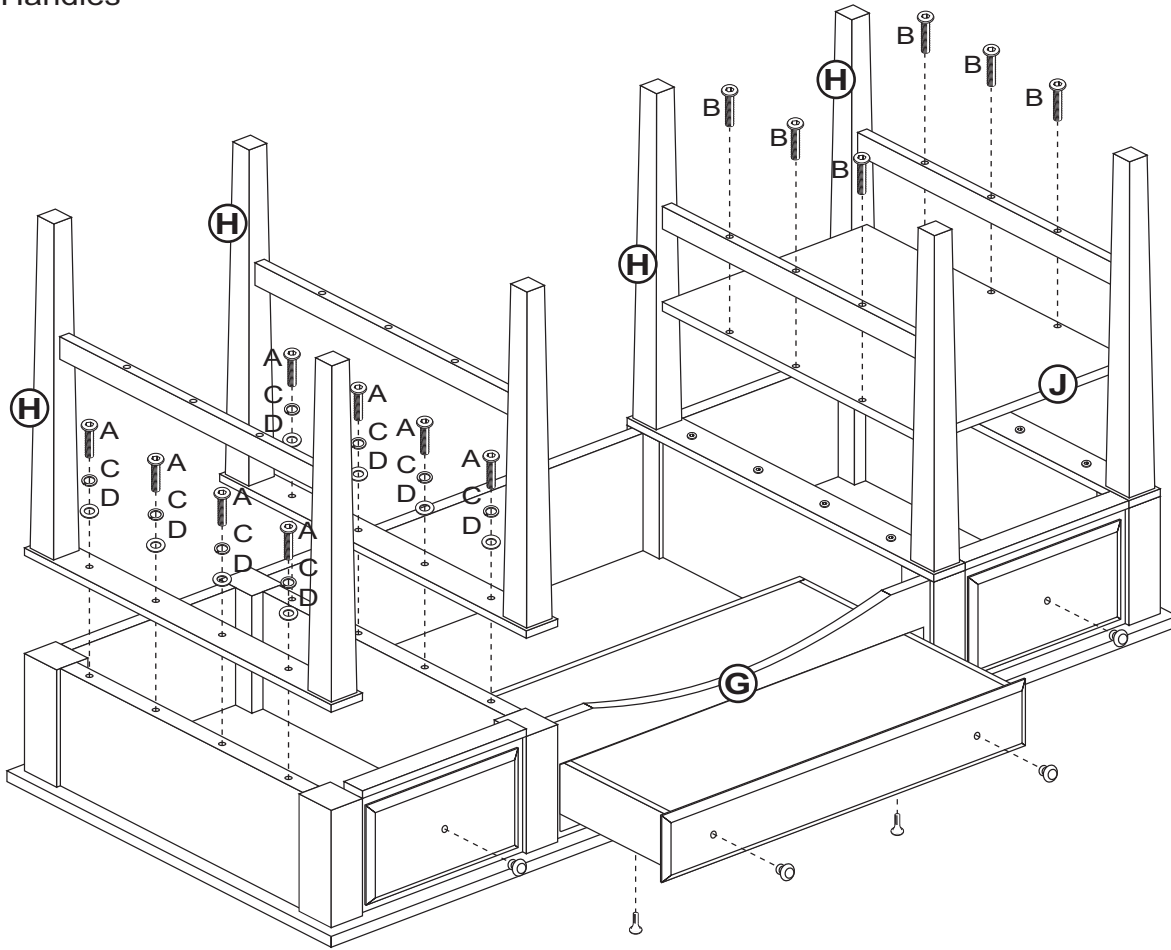
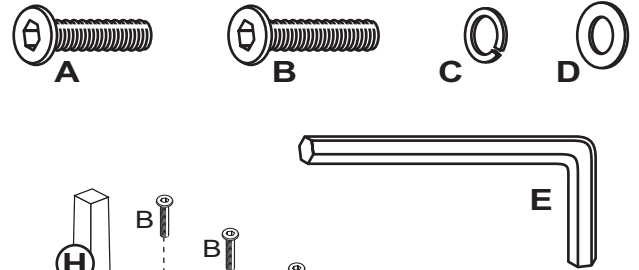
Examine all packaging material for small parts that may have come loose during shipment. Periodic checks are recommended to insure that all components are in proper position, tight and free from damage. Keep this assembly instruction for future reference. Adult assembly is required. Customer Service Phone Number: 502-562-0000

HARDWARE LIST

- A (16) Allen Bolts 1/4" x 2"
- B (12) Allen Bolts 1/4" x 2 1/8"
- C (16) Spring Washers 5/16"
- D (16) Flat Washers 5/16"
- E (1) Allen Wrench 1/4"
- F (4) Handles

PARTS LIST

- G (1) Desk Top
- H (4) Leg Panels
- J (2) Shelves



STEP 1

Begin by laying the Desk Top (G) upside down on a clean, smooth surface to protect the finish from damage. Attach each Leg Panel (H) to the bottom with 4 Allen Bolts (A), 4 Spring Washers (C) & 4 Flat Washers (D) per each panel. Do not fully tighten bolts.

STEP 2

Using the help of a friend, carefully turn Desk right side up and attach each Shelf (J) to each set of Leg Panels (H) with 3 Allen Bolts (B) per each panel. Tighten all bolts from Steps 1 and 2 using the Allen Wrench (E) that has been provided.

STEP 3

Open each drawer and remove the knob from the inside by unscrewing the outer bolt. Reverse each piece and re-assemble the knob on the outside of each drawer panel. The assembly is complete.