

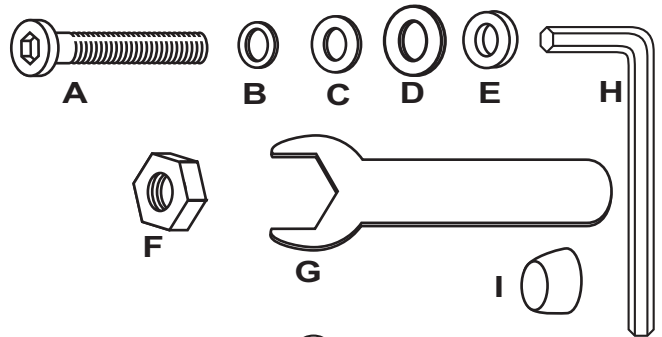
Examine all packaging material for small parts that may have come loose during shipment. Periodic checks are recommended to insure that all components are in proper position, tight and free from damage. Keep this assembly instruction for future reference. Adult assembly is required. Customer Service Phone Number: 502-562-0000

**HARDWARE LIST**

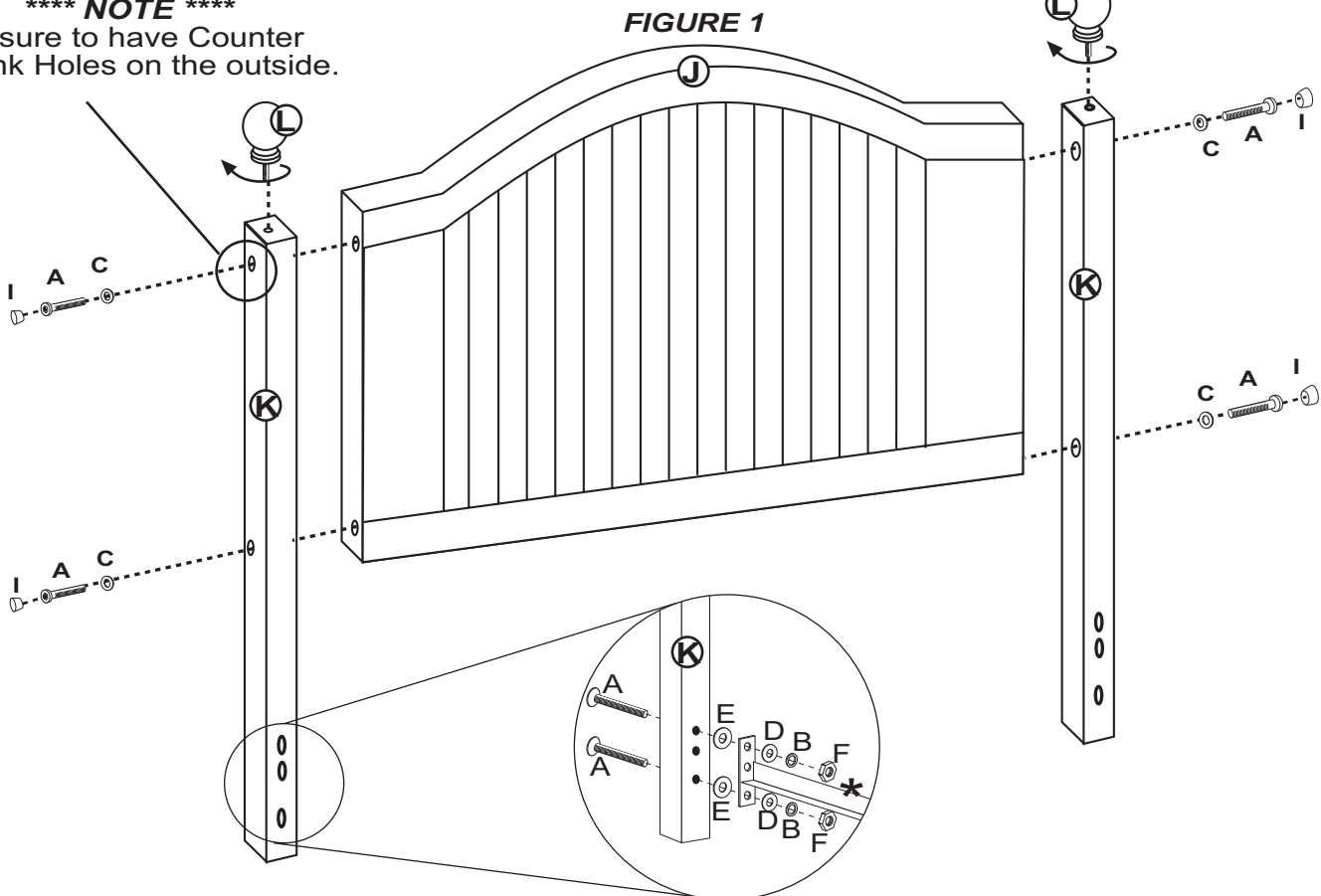
- A (8) Allen Bolts
- B (4) Spring Washers
- C (4) Small Flat Washers
- D (4) Large Flat Washers
- E (4) Rubber Washers
- F (4) Hex Nuts
- G (1) Open End Wrench
- H (1) Allen Wrench
- I (4) Wood Plugs

**PARTS LIST**

- J (1) Headboard
- K (2) Headboard Post
- L (2) Finials



\*\*\*\* **NOTE** \*\*\*\*  
Be sure to have Counter Sunk Holes on the outside.



**STEP 1**

Begin assembly by attaching each Headboard Post (K) to the Headboard (J) using 2 Allen Bolts (A) & 2 Small Flat Washers (C) per each Headboard Post. Tighten All bolts using Allen Wrench (H). Insert 4 Wood Plugs (I) into open holes of Allen Wrench (A). See Figure 1.

**STEP 2**

Attach the 2 Finials (L) to the Top of the Headboard Post (K). See figure 1 hand tighten only.

**STEP 3**

Next, Attach Bed Frame (\*Not Included) to Headboard (J) using 2 Allen Bolts (A), 2 Rubber Washers (E), 2 Large Flat Washers (D), 2 Spring Washers (B) & 2 Hex Nuts (F) per each end. Tighten all bolts using Allen Wrench (H) & Open End Wrench (G) see Figure 2. Assembly is now complete.