

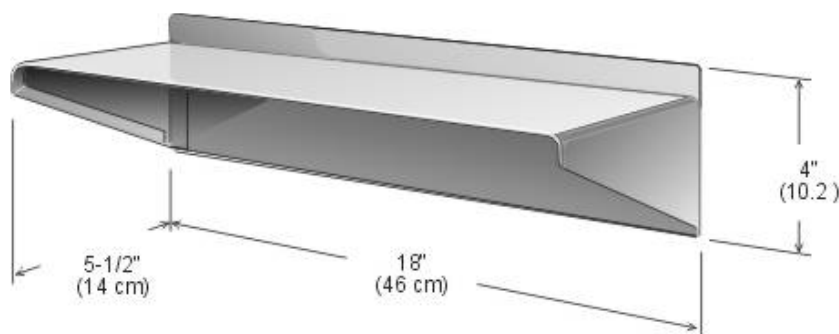


- Quality
- Value
- Service

**Tech
Reference**

Heavy Duty Shelves

Code 950-18": Stainless steel 18" (54cm)
Custom lengths available up to 54" (183 cm) long.



Specifications:

New rounded corner shelf design is 22 gauge stainless steel no. 4 brushed finish welded to stainless steel wall plate. Safety edge on all protruding edges.

Custom lengths available up to 183cm (54") long.

Description and specifications applicable on date issued. Frost reserves the right to make improvements or changes without notice.