

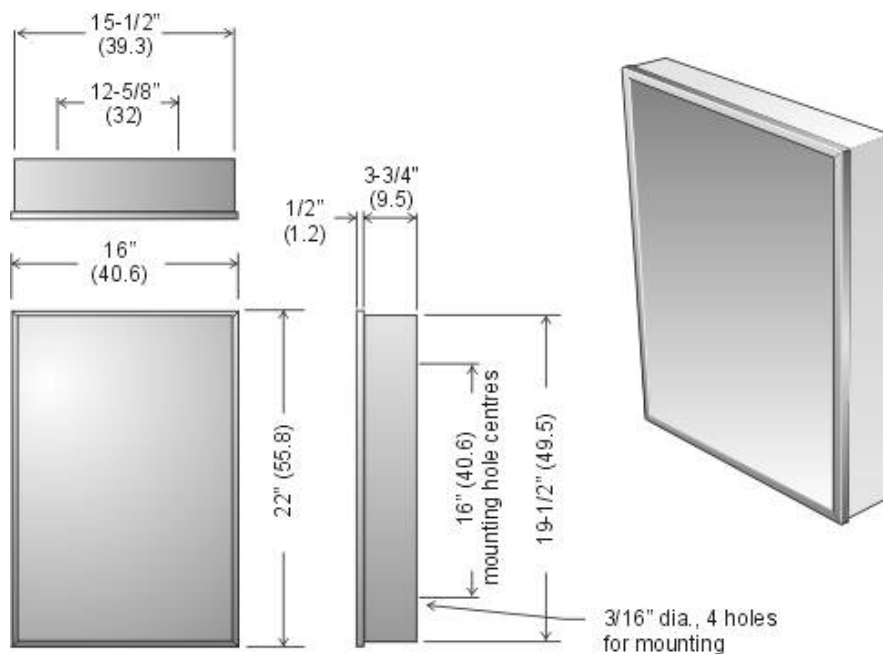


- Quality
- Value
- Service

**Tech
Reference**

Surface Mounted Medicine Cabinet

Code 812-W: Medicine cabinet, white finish with mirror, 16" x 22"



Specifications:

Features:

- 2 adjustable shelves.
- White powder coated finish
- 18" piano hinge on door
- Cabinet can be inverted depending on preferred door swing.
- Magnetic retaining catch on door.
- 5 mm mirror.
- 24 gauge cold rolled steel.

Description and specifications applicable on date issued. Frost reserves the right to make improvements or changes without notice.