

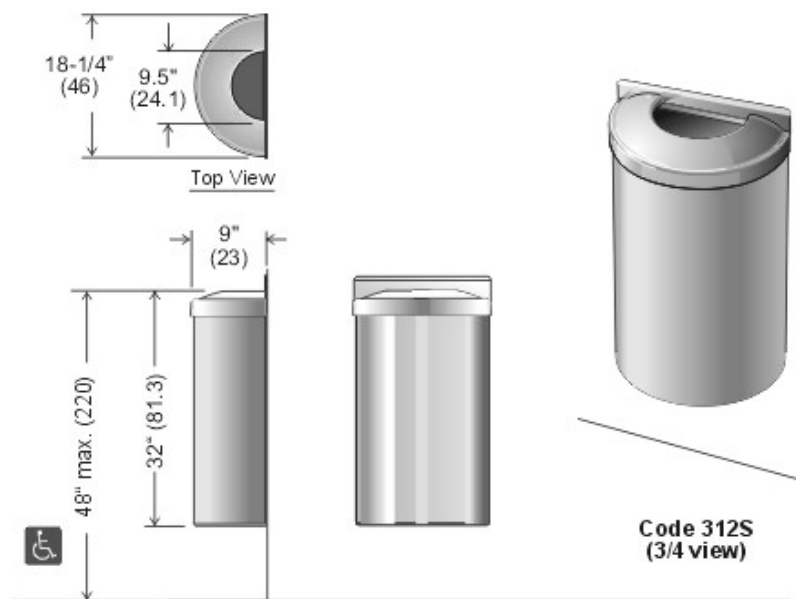


- Quality
- Value
- Service

**Tech
Reference**

Wall mounted outdoor waste receptacle

Code 312S: Stainless steel wall mounted waste receptacle.



Specifications:

Site Location: Wall mounted outdoor waste receptacle.

Features: Bag bracket holder apparatus for easy and secure support of plastic bags. All stainless steel construction. Spun 18 ga. type 304 stainless steel top. Roll formed 22 gauge stainless steel body. 22 ga. stainless steel spun bottom.

Volume: 13.5 imp gallons, 16 US, (62 litres).

Shipping Weight: 25 lbs. (11.5 kg)

Installation: Insure top of unit does not exceed 48" (120) from floor level.

Description and specifications applicable on date issued. Frost reserves the right to make improvements or changes without notice.