



- Quality
- Value
- Service

**Tech  
Reference**

[Contact Us](#) [Warranty](#)

[Request Literature](#)

[Find Distributor](#)

[Price List](#) [Frost Catalog PDF](#)

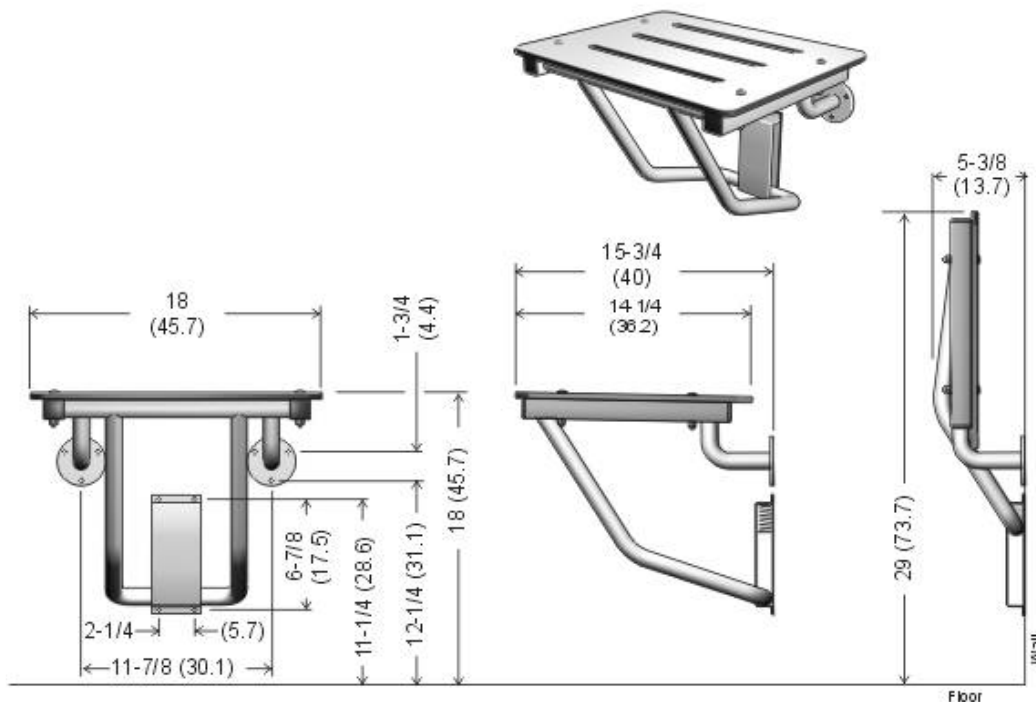
[Place Order](#)

## Retractable shower seat

[Code 972:](#)

All stainless steel with white phenolic top

[Cross Reference Guide](#)  
[Logo Art Files](#)



### Specifications:

All stainless full wall mounted shower seat, phenolic top, white finish.

**Features:** Compact flip up shower seat retracts out of way when not in use. One piece phenolic top, 5/16" (8mm) thick. Unit frame is fabricated from 1" O.D. 18 gauge brushed finish type 304 stainless steel. Welded construction, features full 360 degree welds on all joints. Support and flanges are also stainless steel with brushed finish.

**Load Capacity:** The shower seat will support a load of 450 lbs when properly installed. The shower seat is only as strong as the anchors and wall to which it is attached and therefore must be firmly secured in order to sustain the load(s) for which it is intended. We suggest installation by a qualified tradesperson.

**Installation:** Mounting hole locations are for reference when providing in wall support. Final holes should be drilled using shower seat as a template. Mounting screws provided.

Description and specifications applicable on date issued. Frost reserves the right to make improvements or changes without notice.