

Enclume



COUNTRY HOME FIREPLACE TOOL STAND FPTS2



Enclume hearth racks are the ultimate in Quality, design, strength and function. Congratulations for owning one of the finest Storage racks made.

**WARNING:
READ ALL OF THE INSTRUCTIONS
BEFORE ASSEMBLING AND USING
YOUR RACK.**

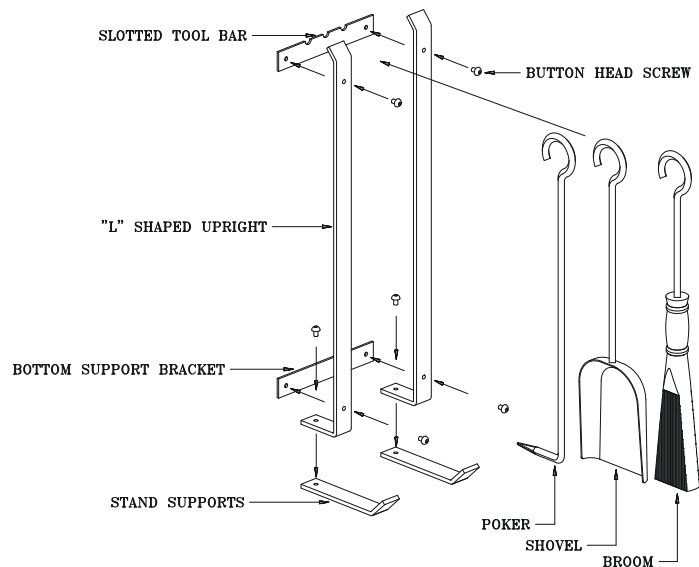
Enclosed you will find everything needed for the assembly and use of your hearth rack. Two people make assembly and installation easier. The parts and hardware included are:

Hardware included:

6-1/2"-Buttonhead Screws
1-Hex Key

Components included:

2- Stand Supports
2- "L" Shaped Uprights
1- Bottom Support Bracket
1- Slotted tool bar
1-Broom
1-Poker
1-Shovel



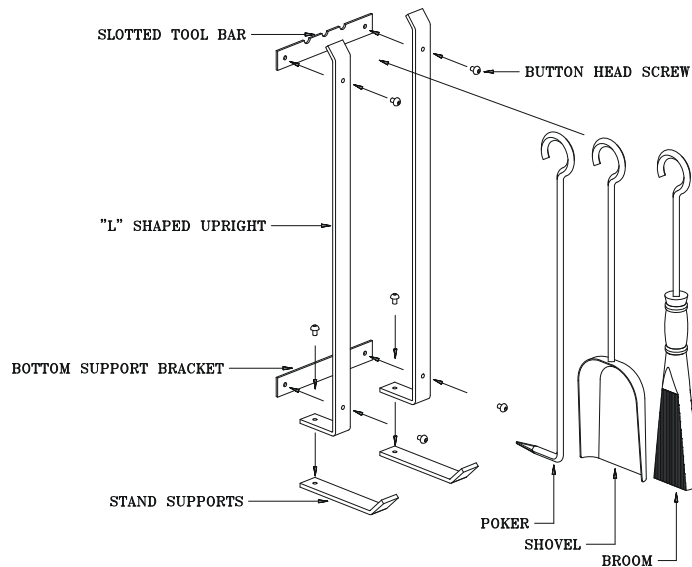
See reverse side for ASSEMBLY AND INSTALLATION INSTRUCTIONS



If you need help, please call 1-877-ENCLUME

Enclume Design Products, Inc.
24 Colwell Street, Port Hadlock, WA. 98339
Phone 360-385-6100 • Fax 360-385-6156
www.enclume.com

ASSEMBLY AND INSTALLATION INSTRUCTIONS for the FPTS2



- 1) Place each "L" shaped upright on each stand support by placing the stand support with the slope facing upward and the "L" part of the upright facing the front. Attach each piece with a 1/2" button head screw, going from top to bottom.
- 2) Place the bottom support bracket on the bottom of the back side of the "L" shaped upright and hold in place with 2 -1/2" button head screws, going from the front of the rack through the back of the support bracket. Leave screws finger tight.
- 3) Do the same as in step 2 for the slotted tool bar, except place the tool bar at the top of the "L" shaped uprights and make sure the slots are facing upward.
- 4) Square up your rack and tighten all button head screws using the hex key supplied.
- 5) Hang all tools. Your rack is now complete.
- 6) All of our hammered steel racks are finished with an industrial wax designed to give years of protection to the rack. Cleaning is easily done with a damp cloth. Dry thoroughly after cleaning. If a touch-up is ever needed we recommend a "Pledge" like wax product.



It is important that your rack is assembled correctly. If the unit is assembled or used incorrectly, it could become unstable and collapse, possibly causing injury. Natural broom straw is flammable. Keep the broom well away from open flame. It should not be used to sweep hot coals or ash.

Limited Warranty: This product is warranted to be free of material defects for a period of five year from the date of purchase. Customer's exclusive remedy shall be the repair or replacement of the defective product and shall be subject to the following conditions: (1) notice of any defect is received by Enclume within the warranty period and (2) customer returns the defective product to Enclume Design Products, Inc. , 24 Colwell St. , Port Hadlock, WA 98339, *postage prepaid* within 20 days following a return authorization number (which may be obtained by telephoning the number at the bottom of this instructions) being provided to the customer by Enclume. There are no other warranties, expressed or implied. **THERE ARE NO WARRANTIES OF MERCHANTABILITY OR FITNESS FOR A PARTICULAR PURPOSE. ENCLUME SPECIFICALLY DISCLAIMS ANY AND ALL INCIDENTAL OR CONSEQUENTIAL DAMAGES ARISING OUT OF THE PURCHASE OR USE OF ENCLUME'S PRODUCTS.**

If you need help, please call 1-877-ENCLUME



Enclume Design Products, Inc.
24 Colwell Street, Port Hadlock, WA. 98339
Phone 360-385-6100 • Fax 360-385-6156
www.enclume.com