

Enclume



Curved Sling Rack LR16



Enclume racks are the ultimate in Quality, design, strength and function. Congratulations for owning one of the finest Storage racks made.

WARNING:
READ ALL OF THE INSTRUCTIONS
BEFORE ASSEMBLING AND USING
YOUR RACK.

All of our hammered steel racks are finished with an industrial wax designed to give years of protection to the rack. Cleaning is easily done with a damp cloth. Dry thoroughly after cleaning. If a touch-up is ever needed we recommend a "Pledge" like wax product.

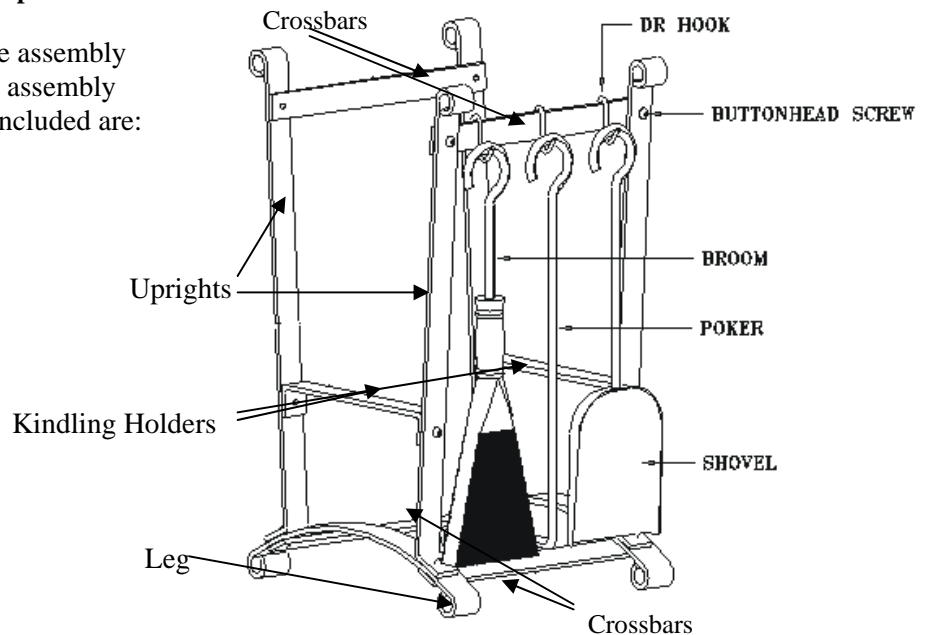
Enclosed you will find everything needed for the assembly and use of your storage rack. Two people make assembly and installation easier. The parts and hardware included are:

Hardware included:

- 8 - 3/8" x 1/2" Button head Screws
- 4 - 3/8" x 3/4" Button head Screws
- 1 - 7/32" Hex Key
- 3 - DR Hooks

Components included:

- 2 - Legs
- 4 - Uprights
- 4 - Crossbars
- 2 - Kindling holders
- 1 - FPTS2 Broom
- 1 - FPTS2 Poker
- 1 - FPTS2 Shovel



See reverse side for ASSEMBLY AND INSTALLATION INSTRUCTIONS

Limited Warranty: This product is warranted to be free of material defects for a period of five years from the date of purchase. Customer's exclusive remedy shall be the repair or replacement of the defective product and shall be subject to the following conditions: (1) notice of any defect is received by Enclume within the warranty period and (2) customer returns the defective product to Enclume Design Products, Inc., 24 Colwell St., Port Hadlock, WA 98339, *postage prepaid* within 20 days following a return authorization number (which may be obtained by telephoning the number at the bottom of this instructions) being provided to the customer by Enclume. There are no other warranties, expressed or implied. **THERE ARE NO WARRANTIES OF MERCHANTABILITY OR FITNESS FOR A PARTICULAR PURPOSE. ENCLUME SPECIFICALLY DISCLAIMS ANY AND ALL INCIDENTAL OR CONSEQUENTIAL DAMAGES ARISING OUT OF THE PURCHASE OR USE OF ENCLUME'S PRODUCTS.**

If you need help, please call 1-877-ENCLUME



Enclume Design Products, Inc.
24 Colwell Street, Port Hadlock, WA. 98339
Phone 360-385-6100 • Fax 360-385-6156

www.enclume.com

Assembly and Installation Instructions for the LR16

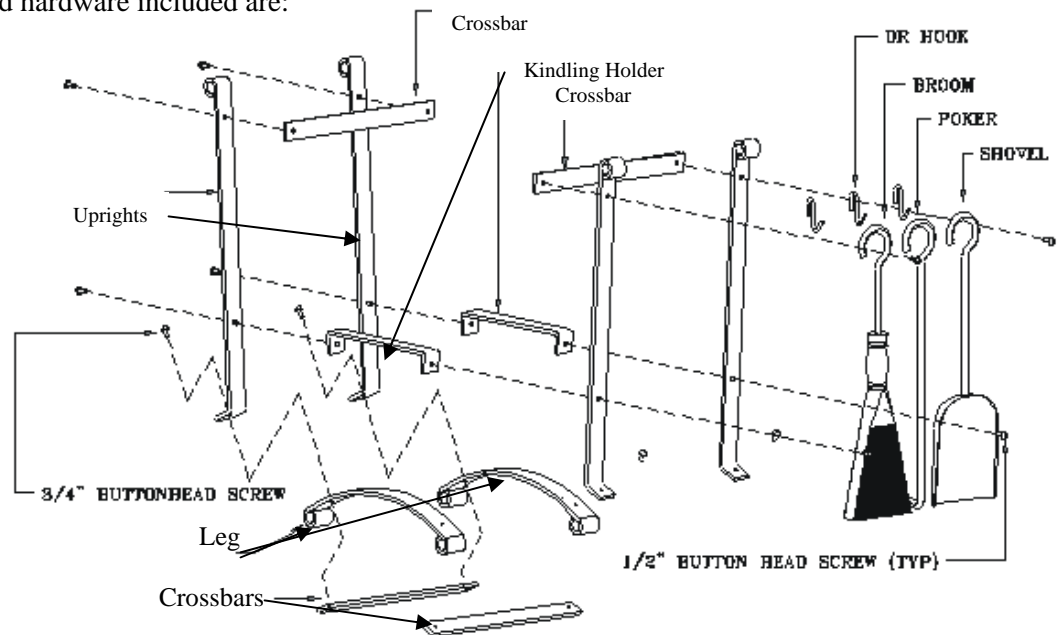
Enclosed you will find everything needed for the assembly and use of your storage rack. Two people make assembly and installation easier. The parts and hardware included are:

Hardware included:

- 8 – 3/8" x 1/2" Button head Screws
- 4 – 3/8" x 3/4" Button head Screws
- 1 – 7/32" Hex Key
- 3 – DR Hooks

Components included:

- 2 – Legs
- 4 – Uprights
- 4 – Crossbars
- 2 – Kindling holders
- 1 – FPTS2 Broom
- 1 – FPTS2 Poker
- 1 – FPTS2 Shovel



Rack Assembly:

- 1) Position two of the Uprights on the floor with the rolls pointing away from you. Attach the one of the upper crossbar to the hole closest to the roll using one of the 3/8" x 1/2" button head screws (the shorter screws). Insert the screw through the hole in the upright and screw into the Crossbar. Attach the other upright to the Crossbar. You should now have two uprights connected to each other. Repeat this process with the remaining uprights. Do not tighten down the button head screws completely until rack is assembled.
- 2) Position the two Legs on the floor and place one set of the uprights on top of the Leg lining up the holes (a helping hand makes this step much easier). Once the holes are lined up place and hold the lower Crossbar under the Leg. Insert one of the four 3/8" x 3/4" button head screws through the hole in the angle of the upright, through the Leg and thread into the lower Crossbar. Repeat this process for the other side.
- 3) Repeat Step 2 using the second set of uprights attaching them to the opposite side of the Leg using the last remaining Crossbar.
- 4) Attach the Kindling Holders to the inside of the Uprights using the remaining four 3/8" x 1/2" button head screws.
- 5) Square up the rack and tighten all screws using the hex key supplied.
- 6) Hang all DR hook on the upper Crossbar to hold your broom, shovel, and poker. Your rack is now complete.
- 7) All of our hammered steel racks are finished with an industrial wax designed to give years of protection to the rack. Cleaning is easily done with a damp cloth. Dry thoroughly after cleaning. If a touch up is ever needed we recommend a "Pledge" like wax product.



It is important that your rack is assembled correctly. If the unit is assembled or used incorrectly, it could become unstable and collapse, possibly causing injury.



If you need help, please call 1-877-ENCLUME

Enclume Design Products, Inc.

24 Colwell Street, Port Hadlock, WA. 98339

Phone 360-385-6100 • Fax 360-385-6156

www.enclume.com