

# Enclume



## Gourmet Center GC1



Enclume's display, baking and storage units are the ultimate in quality, design, strength and function. Congratulations for selecting one of the finest multi-function kitchen units manufactured today.

**WARNING:  
READ ALL OF THE INSTRUCTIONS  
BEFORE ASSEMBLING AND USING  
YOUR RACK.**

All of our hammered steel racks are finished with an industrial wax designed to give years of protection to the rack. Cleaning is easily done with a damp cloth. Dry thoroughly after cleaning. If a touch-up is ever needed we recommend a "Pledge" like wax product.

Enclosed you will find everything needed for the assembly and use of your storage rack. Two people make assembly and installation easier. The parts and hardware included are:

**Hardware included:**

- 4 - 1 1/2" Machine screws
- 1 - 1/2" Screw
- 1 - 1" Wood screw
- 5 - 3" "S" pot hooks
- 5 - Clip bracket
- 4 - Washers
- 4 - Acorn nuts
- 4 - 1 1/4" Panhead screws

**Components included:**

- 1 - Grid with frame
- 2 - Long support arms
- 2 - Short support arms
- 2 - Dowel holders
- 1 - Small Shelf with lip
- 1 - 9" Beveled Shelf
- 1 - Dowel

See reverse side for  
Assembly and Installation  
Instructions.



It is important that your rack is assembled correctly. If the unit is assembled or used incorrectly, it could become unstable and collapse, possibly causing injury.

**Limited Warranty:** This product is warranted to be free of material defects for a period of five years from the date of purchase. Customer's exclusive remedy shall be the repair or replacement of the defective product and shall be subject to the following conditions: (1) notice of any defect is received by Enclume within the warranty period and (2) customer returns the defective product to Enclume Design Products, Inc., 24 Colwell St., Port Hadlock, WA 98339, *postage prepaid* within 20 days following a return authorization number (which may be obtained by telephoning the number at the bottom of this instructions) being provided to the customer by Enclume. There are no other warranties, expressed or implied. **THERE ARE NO WARRANTIES OF MERCHANTABILITY OR FITNESS FOR A PARTICULAR PURPOSE. ENCLUME SPECIFICALLY DISCLAIMS ANY AND ALL INCIDENTAL OR CONSEQUENTIAL DAMAGES ARISING OUT OF THE PURCHASE OR USE OF ENCLUME'S PRODUCTS.**

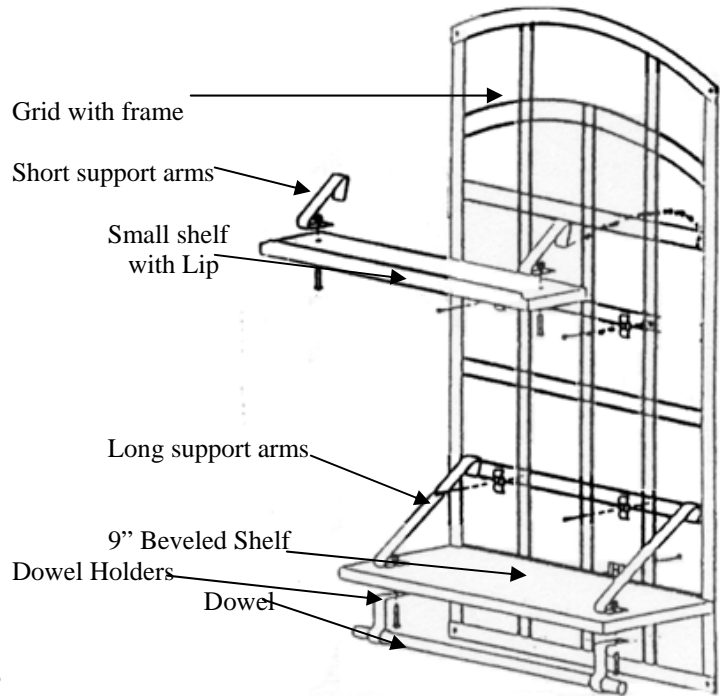
# Assembly and Installation Instructions for the Gourmet Center GC1

## Hardware included:

- 4 – 1 ½" Machine screws
- 1 – ½" Screw
- 1 – 1" Wood screw
- 5 – 3" "S" pot hooks
- 5 – Clip brackets
- 4 – ¼" Acorn nuts
- 4 – 1 ¼" Panhead screws
- 4 – Washers

## Components included:

- 1 – Grid with frame
- 2 – Long support arms
- 2 – Short support arms
- 2 – Dowel holders
- 1 – Small Shelf with lip
- 1 – 9" Beveled Shelf
- 1 – Dowel



## Assembly and Installation Instructions

- 1) Identify all parts listed above.
- 2) Assemble the 9" shelf, the long support arms and the dowel holder together. Position a dowel holder under the bevel of the larger shelf so the opening in the roll faces the wall. Center a long arm on top of the shelf, centering the hole in the arm over the hole in the shelf. Insert a machine screw from the bottom upward, through the dowel holder, the shelf and into the arm. Attach an acorn nut and tighten finger tight. Repeat for the other side.
- 3) Place the dowel in the dowel holder. One of the dowel holders has a small hole on the back of the curve. After locating it, center the dowel between the holders and secure it in place with the ½" wood screw.
- 4) Attach the smaller support arms to the narrow shelf using the machine screws, washers and acorn nuts. Put the washers on the screw and insert it from the bottom of the shelf towards the ceiling. Tighten the acorn nuts finger tight.
- 5) Determine the placement of the shelves. The support arms are designed to lock onto a pair of horizontal wires on the grid. Hook the hanging tab over the top of the grid wire and life up so it emerges between a pair of wires. Once you are satisfied with the shelf placement and fit, tighten the acorn nuts firmly.
- 6) Hang the large shelf in the desired location on the grid. Turn the unit around and work from the back of the grid. To prevent the shelf from sagging you are going to attach it to the grid. Center a clip bracket in the middle of the shelf and over a pair of vertical wires. Using the 1" wood screw, attach the clip bracket to the grid and the back edge of the shelf.
- 7) Lock the narrow shelf into position as you did with the larger one.
- 8) Carefully measure and mark the wall. Your rack must be anchored into the solid wood of the wall studs or into a wooden wall. Plasterboard or wall fasteners will not work and should not be used.
- 9) The remaining clip brackets will fasten The Gourmet Center to the wall. They should be placed in a line, down the center of the rack (use two) or in each corner (use four). Support the rack in its desired location and place the clips appropriately over a pair of wires. Screw each clip bracket into the wall using the four 1 ½" panhead screws.
- 10) Slip the "S" pothook over the dowel.
- 11) All of our hammered steel racks are finished with an industrial wax designed to give years of protection to the rack. Cleaning is easily done with a damp cloth. Dry thoroughly after cleaning. If a touch-up is ever needed we recommend a "Pledge" like wax product.



It is important that your rack is assembled correctly. If the unit is assembled or used incorrectly, it could become unstable and collapse, possibly causing injury



If you need help, please call 1-877-ENCLUME  
**Enclume Design Products, Inc.**  
24 Colwell Street, Port Hadlock, WA. 98339  
Phone 360-385-6100 • Fax 360-385-6156  
[www.enclume.com](http://www.enclume.com)