

# HARLEQUIN LIGHTING COLLECTION



 Elstead  
LIGHTING



# HARLEQUIN

## LIGHTING COLLECTION

### Introduction

---

This collection of contemporary lighting has been developed as a collaboration between the UK lighting manufacturer Elstead Lighting, and Harlequin, the internationally recognised manufacturer and designer of fine fabrics and wall papers.

Working under an exclusive license agreement, the design teams' at Elstead Lighting and Harlequin have worked extremely closely together to conceive a range of product ideally suited to complement the same environments where Harlequin material will be used to the most stylish effect.

The lampshades shown are all handmade and all shade materials used have been selected from the vast array of Harlequin fabrics available, resulting in high quality and beautiful products fit for the finest interior situations.

### Contents

---

Ascent	Page 4-5	Bubble	Page 11
Orb	Page 6	Ripple	Page 12
Spin	Page 7	Sienna	Page 13
Pop	Page 8	Lucerne	Page 14-15
Balance	Page 9	Element	Page 16-17
Flow	Page 9	Pendants	Page 18
Contour	Page 10	Technical	Page 19
Drift	Page 11		

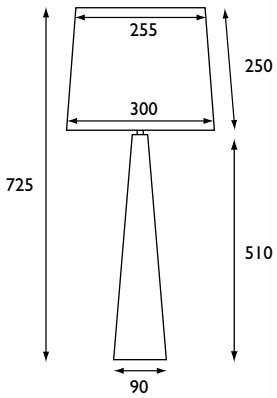
**Please Note:** Shades are sold separately from base fittings to maximise choice options. Please remember to order both base and shade when a complete fitting is required.





**Ascent TL**  
**Polished Nickel**  
 Lampshade: 30cm Tapered Drum  
 Colour: Celeste Shell 2867  
 Shade Ref: HQ/TD30-2867  
 Base Ref: HQ/ASCENT TL PN  
 Steel base in a polished nickel finish.  
 Max W: 60W/20W LE. E27

Ascent



**Ascent TL Black**  
 Lampshade: 30cm Tapered Drum  
 Colour: Juniper Slate 3404  
 Shade Ref: HQ/TD30-3404  
 Base Ref: HQ/ASCENT TL BLK  
 Steel base in a satin black finish.  
 Max W: 60W/20W LE. E27



**Ascent TL White**  
 Lampshade: 30cm Tapered Drum  
 Colour: Lucido Ivory 7450  
 Shade Ref: HQ/TD30-7450M  
 Base Ref: HQ/ASCENT TL WHT  
 Steel base in a satin white finish.  
 Max W: 60W/20W LE. E27

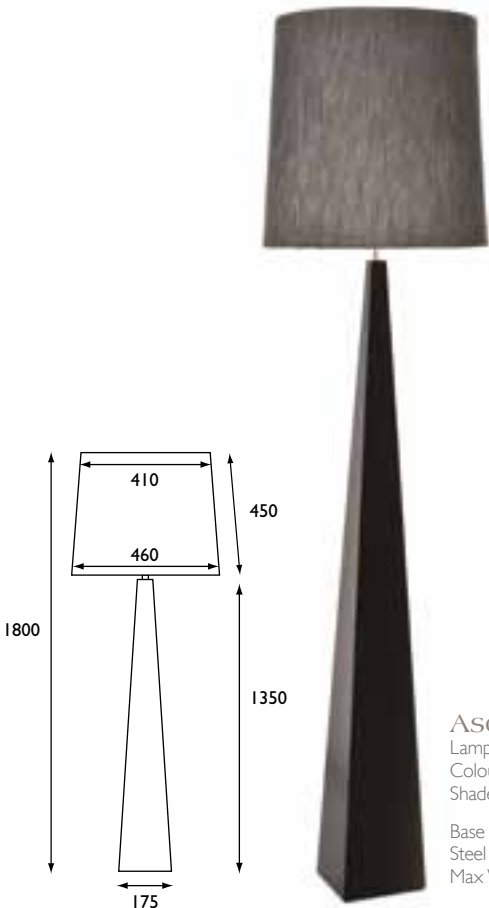
Additional Shade option for Ascent table & floor lamps:



Momentum Quartz 4463  
 Shade Ref: HQ/TD30-4463  
 Shade Ref: HQ/TD46-4463



Ascent Floor Lamps



**Ascent FL Black**  
 Lampshade: 46cm Tapered Drum  
 Colour: Juniper Slate 3404  
 Shade Ref: HQ/TD46-3404  
 Base Ref: HQ/ASCENT FL BLK  
 Steel base in a satin black finish.  
 Max W: 60W/20W LE. E27



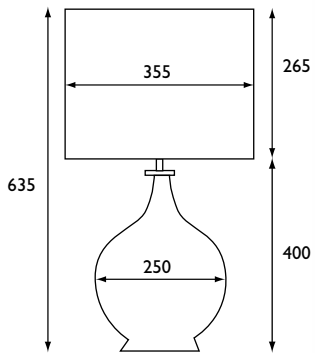
**Ascent FL White**  
 Lampshade: 46cm Tapered Drum  
 Colour: Lucido Ivory 7450  
 Shade Ref: HQ/TD46-7450  
 Base Ref: HQ/ASCENT FL WHT  
 Steel base in a satin white finish.  
 Max W: 60W/20W LE. E27

**Ascent FL Polished Nickel**  
 Lampshade: 46cm Tapered Drum  
 Colour: Celeste Shell 2867  
 Shade Ref: HQ/TD46-2867  
 Base Ref: HQ/ASCENT FL PN  
 Steel base in a polished nickel finish.  
 Max W: 60W/20W LE. E27





Orb



**Orb Clear**

Lampshade: 35cm Drum  
 Colour: Sensei Onyx 2015  
 Shade Ref: HQ/DR35-2015

Base Ref: HQ/ORB CLEAR  
 Clear glass base with brushed nickel metalwork.  
 Max W: 60W/20W LE. E27

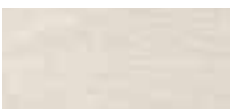


**Orb Lime**

Lampshade: 35cm Drum  
 Colour: Anoushka Bella Stripe 4854  
 Shade Ref: HQ/DR35-4854

Base Ref: HQ/ORB LIME  
 Lime green glass base with brushed nickel metalwork.  
 Max W: 60W/20W LE. E27

Additional Shade options for Orb table lamps:



Lucido Ecu 7451  
 Shade Ref: HQ/DR35-7451

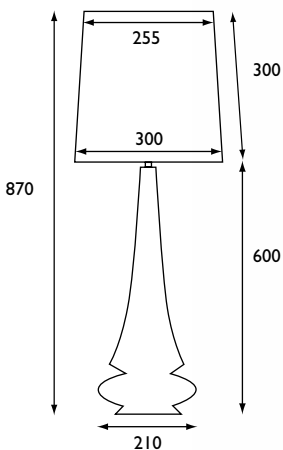


Juniper Lime 3414  
 Shade Ref: HQ/CY46-3414





Spin



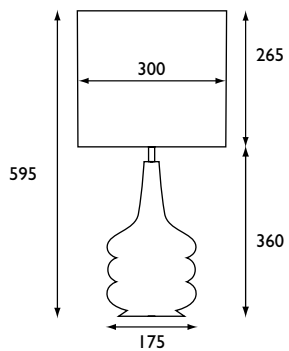
**Spin Grey**  
 Lampshade: 30cm Tapered Drum  
 Colour: Manhattan Pewter 2134  
 Shade Ref: HQ/TD30-2134  
 Base Ref: HQ/SPIN GREY  
 Grey gloss ceramic base with brushed nickel metalwork.  
 Max W: 60W/20W LE. E27



**Spin White**  
 Lampshade: 30cm Tapered Drum  
 Colour: Lucido Ivory 7450  
 Shade Ref: HQ/TD30-7450T  
 Base Ref: HQ/SPIN WHITE  
 White gloss ceramic base with brushed nickel metalwork.  
 Max W: 60W/20W LE. E27



Pop



**Pop White**  
 Lampshade: 30cm Drum  
 Colour: Momentum Element 5146  
 Shade Ref: HQ/DR30-5146  
 Base Ref: HQ/POP WHITE  
 Gloss white ceramic base.  
 Max W: 60W/20W LE. E27



**Pop Orange**  
 Lampshade: 30cm Drum  
 Colour: Juniper Oak 3441  
 Shade Ref: HQ/DR30-3441  
 Base Ref: HQ/POP ORANGE  
 Burnt orange ceramic base.  
 Max W: 60W/20W LE. E27

Additional Shade option for Pop table lamps:

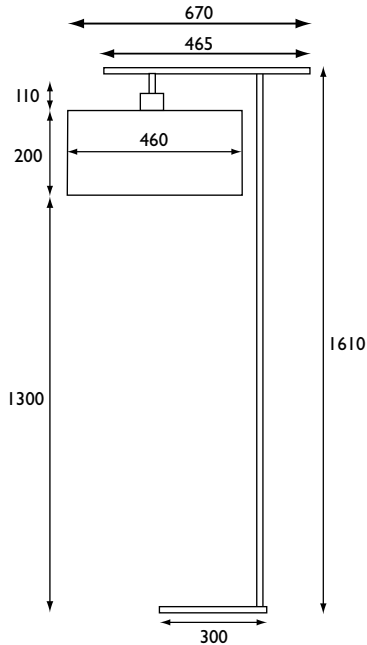


Lucido Mercury 7459  
 Shade Ref: HQ/DR30-7459



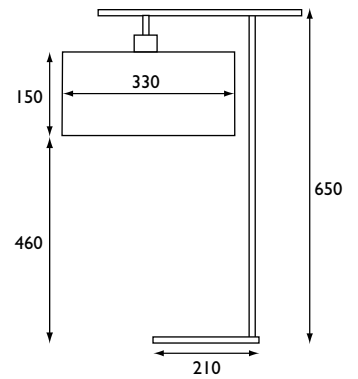


**Balance FL**  
 Lampshade: 46cm Cylinder  
 Colour: Lucido Lime 7477  
 Shade Ref: HQ/CY46-7477  
 Base Ref: HQ/BALANCE FL  
 Steel base with a dark brown, matt copper finish.  
 Max W: 60W/20W LE. E27



Balance

**Balance TL**  
 Lampshade: 33cm Cylinder  
 Colour: Lucido Lime 7477  
 Shade Ref: HQ/CY33-7477  
 Base Ref: HQ/BALANCE TL  
 Steel base with a dark brown, matt copper finish.  
 Max W: 60W/20W LE. E27



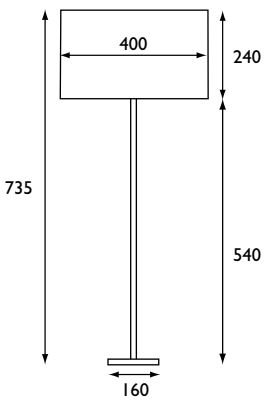
Additional Shade options for Balance table & floor lamps:



Romaine Sable 1705  
 TL Shade Ref: HQ/CY33-1705  
 FL Shade Ref: HQ/CY46-1705D



Manhattan Pewter 2134  
 TL Shade Ref: HQ/CY33-2134  
 FL Shade Ref: HQ/CY46-2134



**Flow TL**  
 Lampshade: 40cm Cylinder  
 Colour: Anoushka Bella stripe 4854  
 Shade Ref: HQ/CY40-4854  
 Base Ref: HQ/FLOW TL  
 Acrylic tube with visible 2 core silk flex and satin nickel metalwork.  
 Max W: 60W/20W LE. E27

Additional Shade options for Flow table & floor lamps:



Lucido Ecrú 7451  
 Shade Ref: HQ/DR35-7451



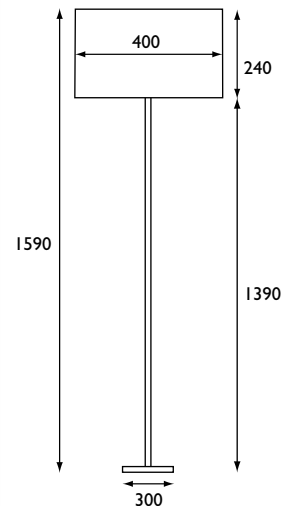
Sensei Onyx 2015  
 Shade Ref: HQ/CO15-2015



Anoushka Bella Stripe 4860  
 Shade Ref: HQ/CY40-4860



**Flow FL**  
 Lampshade: 40cm Cylinder  
 Colour: Anoushka Bella stripe 4854  
 Shade Ref: HQ/CY40-4854  
 Base Ref: HQ/FLOW FL  
 Acrylic tube with visible 2 core silk flex and satin nickel metalwork.  
 Max W: 60W/20W LE. E27



Flow



Contour



Contour Lime

Lampshade: 38cm cylinder  
 Colour: Juniper Lime 3414  
 Shade Ref: HQ/CY38-3414

Base Ref: HQ/CONTOUR LIME  
 Lime green ceramic base.  
 Max W: 60W/20W LE. E27



Contour Platinum

Lampshade: 38cm cylinder  
 Colour: Lucido Marine 7471  
 Shade Ref: HQ/CY38-7471

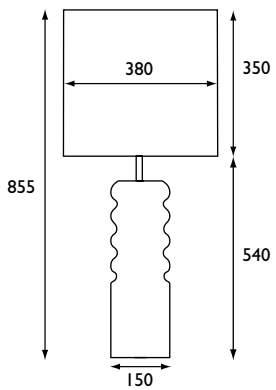
Base Ref: HQ/CONTOUR PLAT  
 Platinum glazed ceramic base.  
 Max W: 60W/20W LE. E27



Contour White

Lampshade: 38cm cylinder  
 Colour: Sensei Pearl 2011  
 Shade Ref: HQ/CY38-2011

Base Ref: HQ/CONTOUR WHT  
 Gloss White ceramic base.  
 Max W: 60W/20W LE. E27



Additional Shade options for Contour lamps:

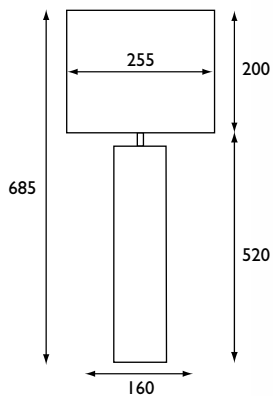


Sensei Onyx 2015  
 Shade Ref: HQ/CO15-2015



Juniper Tobasco 3437  
 Shade Ref: HQ/CY38-3437

Drift Brown



Drift Brown

Lampshade: 25cm Square  
 Colour: Lucido Ivory 7450  
 Shade Ref: HQ/SQ25-7450

Base Ref: HQ/DRIFT BROWN  
 Dark brown veneered oak base  
 with polished chrome metalwork.  
 Max W: 60W/20W LE. E27



Drift Green

Lampshade: 25cm Square  
 Colour: Juniper Oak 3441  
 Shade Ref: HQ/SQ25-3441

Base Ref: HQ/DRIFT GREEN  
 Green and brown veneered oak base  
 with polished chrome metalwork.  
 Max W: 60W/20W LE. E27



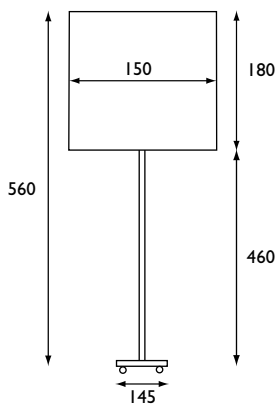
The fabric for the Bubble table and floor lamps is from the new Clarissa Hulse-Kallianthi (wild flowers) Collection, which will be launched at Decorex 2011. Clarissa is a bright star in the British textile world, uncompromising in her passion to deliver the ultimate combination of colour, print and texture. Her name has become synonymous with beautiful and luxurious home accessories, wallpapers and fabrics, which are sold both in upmarket UK department stores such as Liberty, Heals, Selfridges, John Lewis and House of Fraser, as well as internationally in exclusive boutiques.

Bubble

Bubble TL

Lampshade: 15cm Drum  
 Colour: Kallianthi Grasses 120019  
 Shade Ref: HQ/DR15-120019

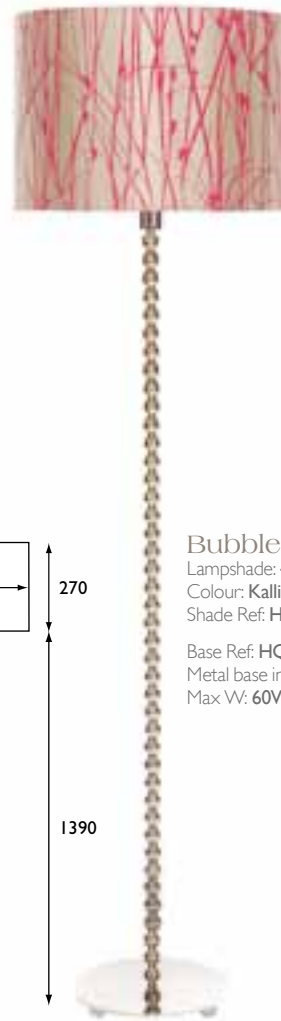
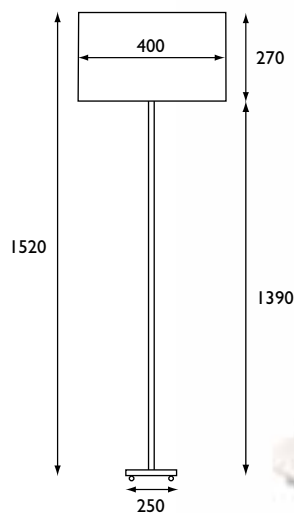
Base Ref: HQ/BUBBLE TL  
 Metal base in polished chrome finish.  
 Max W: 40W E14 or I3W LE



Bubble FL

Lampshade: 40cm Drum  
 Colour: Kallianthi Grasses 120019  
 Shade Ref: HQ/DR15-120019

Base Ref: HQ/BUBBLE FL  
 Metal base in polished chrome finish.  
 Max W: 60W/20W LE. E27



Additional Shade options for Bubble TL & FL:



Lucido Ecrú 7451  
 TL Shade Ref: HQ/DR15-7451  
 FL Shade Ref: HQ/CY40-7451



Lucido Mercury 7459  
 TL Shade Ref: HQ/DR15-7459  
 FL Shade Ref: HQ/DR40-7459





Ripple



**Ripple Black**

Lampshade: 35cm Cylinder  
 Colour: Sensei Onyx 2015  
 Shade Ref: HQ/CY35-2015

Base Ref: HQ/RIPPLE BLK  
 Sculptured resin in black finish  
 with satin nickel metalwork.  
 Max W: 60W/20W LE. E27



**Ripple White**

Lampshade: 35cm Cylinder  
 Colour: Sensei Pearl 2011  
 Shade Ref: HQ/CY35-2011

Base Ref: HQ/RIPPLE WHT  
 Sculptured resin in white finish  
 with satin nickel metalwork.  
 Max W: 60W/20W LE. E27

# Additional Shade options



Juniper Lime 3414  
Shade Ref: HQ/CY46-3414



Lucido Marine 7471  
Shade Ref: HQ/CY46-7471



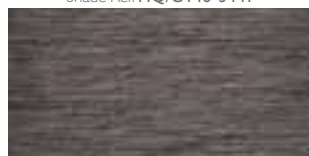
Lucido Ecrú 7451  
Shade Ref: HQ/CY46-7451



Lucido Silver 7460  
Shade Ref: HQ/CY46-7460



Juniper Oak 3441  
Shade Ref: HQ/CY46-3441



Juniper Slate 3404  
Shade Ref: HQ/CY46-3404



Romanie Sable 1705  
Shade Ref: HQ/CY46-1705



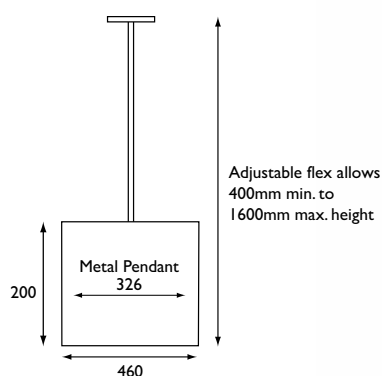
Celeste Shell 2867  
Shade Ref: HQ/CY46-2867



Momentum Element 5146  
Shade Ref: HQ/CY46-5146



Manhattan Grape 2129  
Shade Ref: HQ/CY46-2129



# Sienna Pendants



**Sienna Pendant**  
(shown with Sensai Onyx shade)  
3 light pendant with a polished nickel metal diffuser and adjustable black textile chord.

Pendant Ref: HQ/Sienna P  
Max W: 3X60W / 20W LE E27

Lampshade: 46cm Cylinder  
Colour: Sensai Onyx 2015  
Shade Ref: HQ/CY46-2015



**Sienna Pendant**  
(shown with Juniper Tobasco shade)  
3 light pendant with a polished nickel metal diffuser and adjustable black textile chord.

Pendant Ref: HQ/Sienna P  
Max W: 3X60W / 20W LE E27

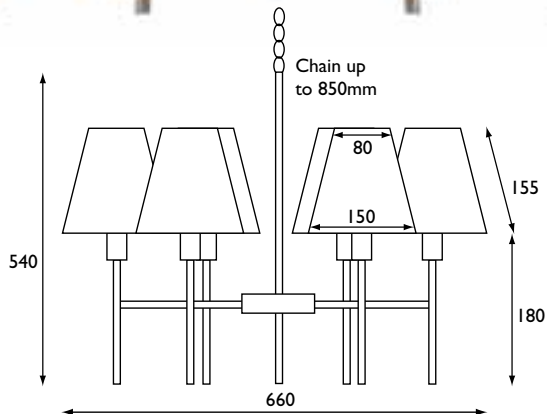
Lampshade: 46cm Cylinder  
Colour: Juniper Tobasco 3437  
Shade Ref: HQ/CY46-3437

Lucerne

Lucerne 6LT

Lampshade: 15cm Cone  
 Colour: Manhattan Grape 2129  
 Shade Ref: HQ/CO15-2129  
 Please order x6 shades

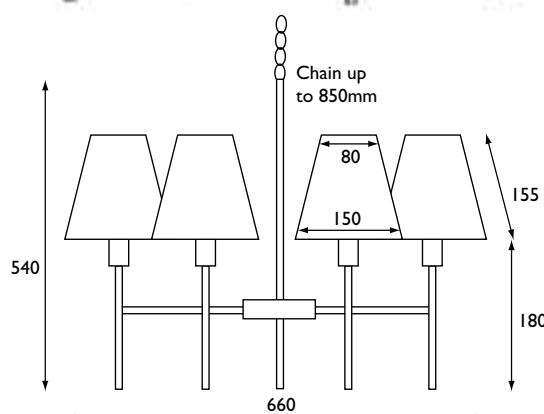
Base Ref: HQ/LUCERNE 6LT  
 Steel metal structure with brushed nickel finish.  
 Max W: 25W E14 or 11W LE



Lucerne 4LT

Lampshade: 15cm Cone  
 Colour: Juniper Slate 3404  
 Shade Ref: HQ/CO15-3404  
 Please order x4 shades

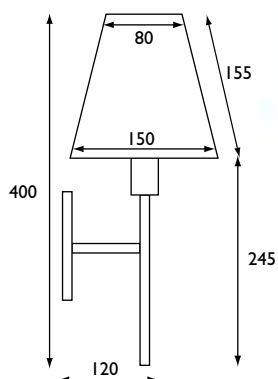
Base Ref: HQ/LUCERNE 4LT  
 Steel metal structure with brushed nickel finish.  
 Max W: 25W E14 or 11W LE



Lucerne 1LT

Lampshade: 15cm Cone  
 Colour: Manhattan Grape 2129  
 Shade Ref: HQ/CO15-2129

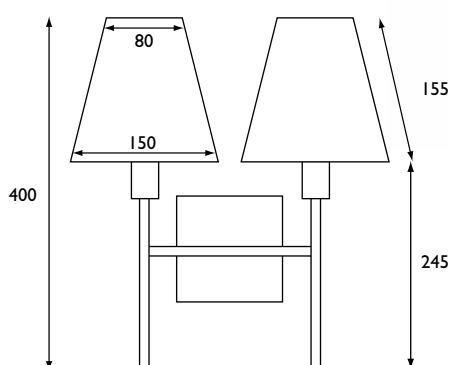
Base Ref: HQ/LUCERNE 1LT  
 Steel metal structure with brushed nickel finish.  
 Max W: 25W E14 or 11W LE



Lucerne 2LT

Lampshade: 15cm Cone  
 Colour: Juniper Slate 3404  
 Shade Ref: HQ/CO15-3404  
 Please order x2 shades

Base Ref: HQ/LUCERNE 2LT  
 Steel metal structure with brushed nickel finish.  
 Max W: 25W E14 or 11W LE





Also available in the following options



Juniper Lime 3414  
Shade Ref: HQ/CO15-3414



Juniper Tobasco 3437  
Shade Ref: HQ/CO15-3437



Lucido Marine 7471  
Shade Ref: HQ/CO15-7471



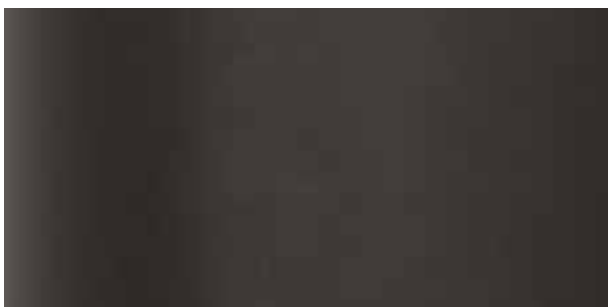
Lucido Ecrú 7451  
Shade Ref: HQ/CO15-7451



Lucido Silver 7460  
Shade Ref: HQ/CO15-7460



Juniper Oak 3441  
Shade Ref: HQ/CO15-3441



Sensei Onyx 2015  
Shade Ref: HQ/CO15-2015



Romanie Sable 1705  
Shade Ref: HQ/CO15-1705



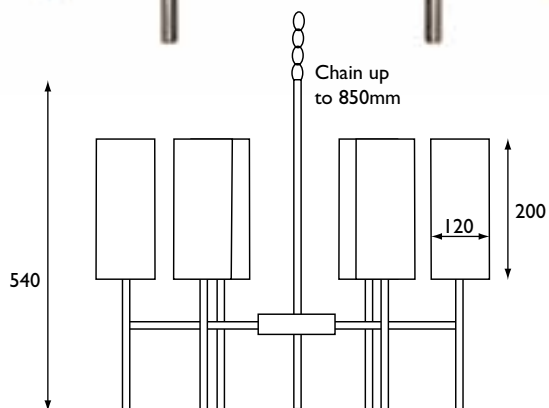
Celeste Shell 2867  
Shade Ref: HQ/CO15-2867

Element

**Element 6LT**

Lampshade: 12cm Drum  
 Colour: Momentum Element 5146  
 Shade Ref: HQ/DR12-5146  
 Please order x6 shades

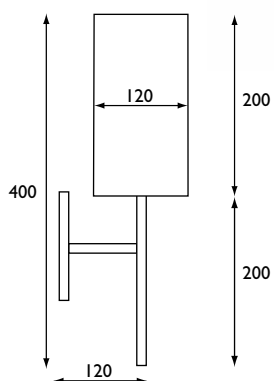
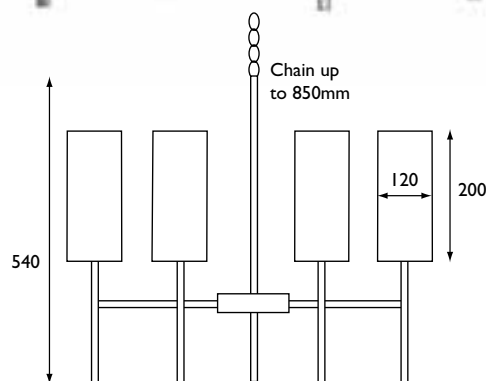
Base Ref: HQ/ELEMENT 6LT  
 Steel metal structure with  
 brushed nickel finish.  
 Max W: 25W E14 or 11W LE



**Element 4LT**

Lampshade: 12cm Drum  
 Colour: Lucido Marine 7471  
 Shade Ref: HQ/DR12-7471  
 Please order x4 shades

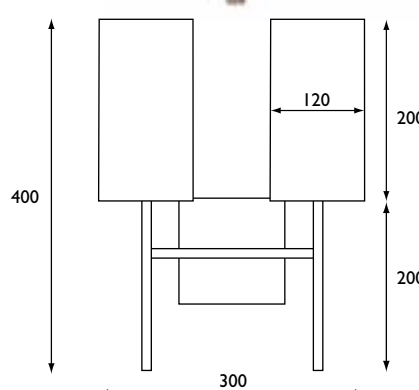
Base Ref: HQ/ELEMENT 4LT  
 Steel metal structure with  
 brushed nickel finish.  
 Max W: 25W E14 or 11W LE



**Element 1LT**

Lampshade: 12cm Drum  
 Colour: Momentum Element 5146  
 Shade Ref: HQ/DR12-5146

Base Ref: HQ/ELEMENT 1LT  
 Steel metal structure with  
 brushed nickel finish.  
 Max W: 25W E14 or 11W LE



**Element 2LT**

Lampshade: 12cm Drum  
 Colour: Lucido Marine 7471  
 Shade Ref: HQ/DR12-7471  
 Please order x2 shades

Base Ref: HQ/ELEMENT 2LT  
 Steel metal structure with  
 brushed nickel finish.  
 Max W: 25W E14 or 11W LE

Also available in the following options



**Romanie Sable 1705**  
Shade Ref: HQ/DR12-1705



**Juniper Lime 3414**  
Shade Ref: HQ/DR12-3414



**Juniper Tobasco 3437**  
Shade Ref: HQ/DR12-3437



**Lucido Ecrú 7451**  
Shade Ref: HQ/DR12-7451



**Lucido Silver 7460**  
Shade Ref: HQ/DR12-7460



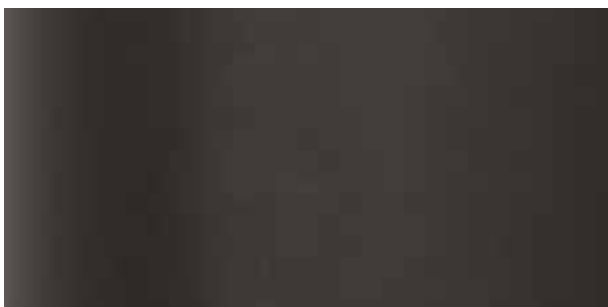
**Juniper Oak 3441**  
Shade Ref: HQ/DR12-3441



**Juniper Slate 3404**  
Shade Ref: HQ/DR12-3404



**Celeste Shell 2867**  
Shade Ref: HQ/DR12-2867



**Sensei Onyx 2015**  
Shade Ref: HQ/DR12-2015



**Manhattan Grape 2129**  
Shade Ref: HQ/DR12-2129



Table Lampshades which can also be used as Pendant shades

**Orb**

Page 6  
35cm Drum

Shade Ref  
•HQ/DR35-2015  
•HQ/DR35-4854  
•HQ/DR35-7451  
•HQ/DR35-3414



**Pop**

Page 8  
30cm Drum

Shade Ref  
•HQ/DR30-5146  
•HQ/DR30-3441  
•HQ/DR30-7459



**Flow TL**

Page 9  
40cm Cylinder

Shade Ref  
•HQ/CY40-4854  
•HQ/CY40-7451  
•HQ/CY40-2015  
•HQ/CY40-4860



**Flow FL**

Page 9  
40cm Cylinder

Shade Ref  
•HQ/CY40-4854  
•HQ/CY40-7451  
•HQ/CY40-2015  
•HQ/CY40-4860



**Balance TL**

Page 9  
33cm Cylinder

Shade Ref  
•HQ/CY33-7477  
•HQ/CY33-1705  
•HQ/CY33-2134



**Balance FL**

Page 9  
46cm Cylinder

Shade Ref  
•HQ/CY46-7477  
•HQ/CY46-1705  
•HQ/CY46-2134



**Contour**

Page 10  
38cm Cylinder

Shade Ref  
•HQ/CY38-3414  
•HQ/CY38-7471  
•HQ/CY38-2011  
•HQ/CY38-2015  
•HQ/CY38-3437



**Drift**

Page 11  
25cm Square

Shade Ref  
•HQ/SQ25-7450  
•HQ/SQ25-3441



**Bubble FL**

Page 11  
40cm Cylinder

Shade Ref  
•HQ/CY40-120019  
•HQ/CY40-7459  
•HQ/CY40-7451



**Ripple**

Page 12  
35cm Cylinder

Shade Ref  
•HQ/CY35-2015  
•HQ/CY35-2011



NB. Pendant cable is shown for effect only. It is not supplied with the lampshade.

# Technical Information

---

## Electrical Standards and accreditations

All fittings supplied by Elstead Lighting are manufactured to full European standards according to the norms EN60-598. All products are CE marked and all of our production goes through 100% online testing and inspection.

Elstead Lighting are members of the UK Lighting Association (LA) and conform to the LA Code of Practice scheme for safety of Luminaires which is an annually issued certification, based on passing rigorous safety procedures inspected by the LA.

Elstead Lighting are also members of the Guild of Master Craftsmen and ACID, the IPR organisation Anti Copying in Design.

For countries outside of the UK we supply the fittings with suitable plugs and wiring for the particular destination.



## Dimensions

All dimensions shown are in millimetres (mm) and are approximate. The company reserves the right to update or alter the product detail and construction when necessary which can change the dimensions. The lampbase measurements are from the base to the part of the lampholder to where the shade gimbal sits (gimbal is the ring on the shade which fits onto the lampholders).

## Lampshades

All lampshades are supplied separately from the fittings / bases and therefore must be ordered separately. The majority of the lampshades supplied are made with 42mm large hole gimbals, and are all suitable for E27 ES (large Edison Screw) lampholders. The exceptions to this are on the very small lampshades, which have either a smaller 28mm gimbal for E14 SES (Small Edison Screw) lampholders, or bulb clips which mean the shade simply pushes onto the golf ball or candle lamp used. Lampshades can be ordered on their own and many of these can be used as ceiling pendants simply by inverting the lampshade if suitable, reversing the gimbal, marked (RG), when inverting them does not work or using a "spider carrier" (an attachment to convert large lampshades for use as ceiling pendants), depending on the lampshade. We can supply spider carriers as well as shade reducers when required if the shade being used is for a small size of lampholder than the shade is made for.

## Max. Wattages & Lamps suitable for using with the products

All max wattages shown are listed in the conventional way, i.e. Max Wattage 60W. With the demise of normal incandescent lamps such as the GLS 100W and 60W lamps, while these in some regions are still readily available, there are other alternatives to be used. Amongst those options are what still look like GLS and Candle lamps, but they are what is known as Halogen replacement lamps. These run much hotter, so if a fitting is rated Max. 60W it is recommended that a halogen replacement lamp of no greater than 42W be used. This gives the same light output as the incandescent 60W. Alternatively, low energy fluorescent lamps can be used in many of the fittings without being visible. They are available in both lampholder cap types we use, ES and SES, and run much cooler compared to incandescent or the halogen lamps. This means that a fitting rated at 60W incandescent, which is rated based largely on operating temperature, can use up to a 20W LE (Low Energy) lamp which is the equivalent of a 100W incandescent lamp in terms of light output.





HARLEQUIN LIGHTING COLLECTION BY ELSTEAD LIGHTING

For more information please contact

T +44(0) 1420 82377 E [enquiries@elsteadlighting.com](mailto:enquiries@elsteadlighting.com)  
Elstead House, Mill Lane, Alton, Hampshire GU34 2QJ

[www.elsteadlighting.com](http://www.elsteadlighting.com)