

# OPERATION AND INSTALLATION GUIDE

(CONTROL PANEL FOR STEAMSPA GENERATORS)

---

## Cataloge

<b>Safety attention</b>	<b>-----1</b>
<b>Safety operation instruction</b>	<b>-----1</b>
<b>Instruction of the control box</b>	<b>-----1</b>
<b>Controller installation instruction</b>	<b>-----2</b>
<b>Controller function instruction</b>	<b>-----3-5</b>
<b>Brief Introduction</b>	<b>-----6</b>
<b>Controller and temperature sensor installation</b>	<b>-----7-8</b>
<b>Controller size and waterproof rating</b>	<b>-----9</b>
<b>Product wiring diagram</b>	<b>-----10</b>

## Attention in controller

1. Use soft cloth with a little soap water to clean the controller.
2. Do not use crude cleaning tools.
3. If the decorating crust is damaged, telephone the service electrician to change it.

## Safety and operation information of the controller

**Warning:** If the installation and operation instruction is not read or understood, do not install or use in case there should be any dangerous installation and improper operation. Install the controller based on the installation instruction, otherwise, the temperature in the steam room will be too high or it is not heated enough.

If the controller is installed outside the steam room, the temperature sensor must be installed in the bathroom. Operate based on the instruction otherwise the controller may lose control or the bathroom will be overheated.

**Caution:** Do not install the controller wire in the same wire rabbit with strong electric wire. Do not get close to hot water or steam pipe, otherwise the controller may lose control or the bathroom will be overheated.

**Important:** Before installing the controller, make sure the steam generator is shut off otherwise the controller may lose control or be damaged.

Do not use controller inconsistent with the steam generator, do not use the controller to operate steam generator of other brands, otherwise the operation may lose control or the machine will be damaged.

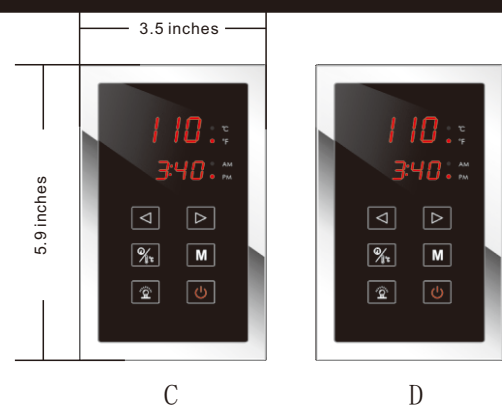
The instruction includes important safety, operation and maintenance information. Keep the instruction in the user's hands.

If the steam generator is damaged or can not work normally, do not continue to install or use the controller, otherwise the controller may lose control.

## Blueprint for the control panel

Complete set including:

- Control panel
- Temperature sensor and holder
- User manual
- Middle cable between dual panels(6.5 feet )



## Installation instruction of controller

**Important:** Before installing the controller, make sure the steam generator is shut off otherwise the controller may lose control or be damaged.

### Step one

Determine the installation location of the controller. The controller is designed to be installed in the steam room only, and while installing:

1. 4-5 feet from the ground.
2. Keep away from the steam nozzle and do not expose under the direct spray of steam.
3. Install in the perpendicular wall.
4. The position of installation should facilitate easy operation and convenient wiring

The controller wire is 1.6 feet long with a controller lengthened wire of 20 feet long at the most. In the installation of controller, it should be in a position not more than 21 feet from the steam generator. If a longer wire is needed, contact professional service personnel.

**Important:** Do not install the controller under the water pipe or in a position where water comes usually.

### Step two

Drill a round hole of 1.378 inches in diameter in a chosen position, no larger or smaller.

### Step three

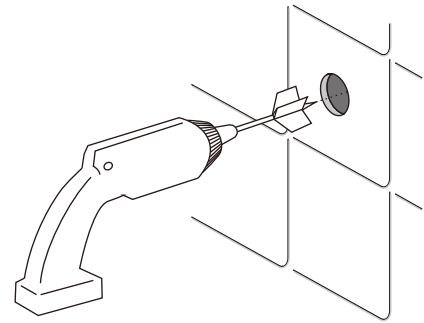
Pull the controller wire through the round hole, connect it to the lengthened wire and then to the steam generator and connect with the corresponding wire in the generator. When the computer wire is plugged in, aim at the direction and insert horizontally instead of shaking left and right in case the computer needle should be damaged. Do the same when plugging out.

**Important:** Do not pull tight, fix tight or clip the controller wire in case of damage to it.

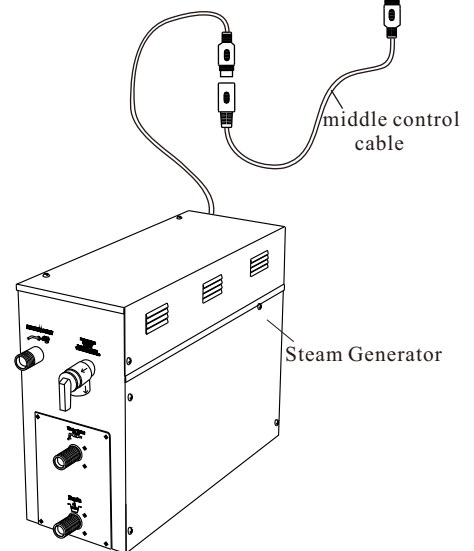
### Step four

Start the power supply of steam generator, check and adjust connection, check each item on 3-4 page to make sure all functions may work well.

**Important:** Before fixing the controller, make sure the steam generator is shut off otherwise the controller may lose control or be damaged.



Control Panel




Steam Generator

### Step five

Remove the closing paper at the bottom.  
To achieve good sticking effect, keep the sticking surface clean and dry.

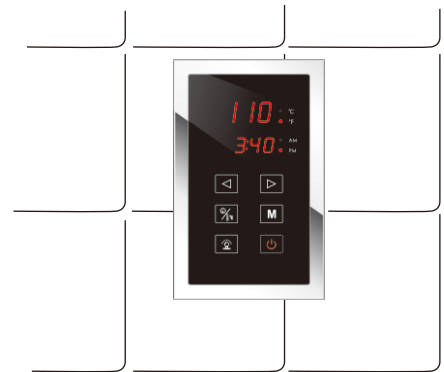
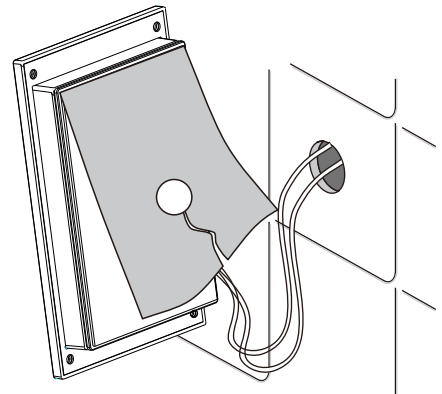
### Step six

Locate the display screen in the direction of 12 o'clock, and press tight the controller to stick it to the wall.

 **Important:** To ensure horizontal installation of the controller, use a gradienter if necessary.

### Step seven

Drill a round hole of  $\Phi 0.4$  inches in diameter in a chosen position put the TEMP sensor holder into the hole and lock it with nut (more detail in Page6).



## Controller function instruction

### Function


- 1、 TIME SET
- 2、 TEMP SET
- 3、 LIGHT
- 4、 REAL CLOCK

### Control Panel Operation

#### 1. ON/OFF


When system is powered, all functions will still not be activated and remain in a waiting state. Digital tube will display " --- ." And show the real clock.


#### 2. ON

In the waiting state, press  the button to turn on the system and activate steam function. System will recall last use steam time and TEMP, system begins to count down. During this time, the digital tube will display the ambient temperature. Steam temperature display range is 32° F-140° F(0°C~60°C). When the actual temperature is lower or equal to 32° F, the digital tube will display 32° F(0°C). When the actual temperature is higher or equal to 140° F(60°C), the digital tube will display 140° F(60°C). The default steam time is 30 minutes. When lacking water, the heating


---



elements will stop heating and the water inlet valve will work automatically. If there is no water detected in 20 seconds or the water coming in does not reach the set point in 60 seconds, the digital tube will display **E0** to indicate an error of not enough water cycling. If there is enough water cycling, the steam function will return to normal. When the steam function is started, if the ambient room temperature is higher than the set point, the heating element will stop heating, the digital tube will flash to display the current environment temperature; when the environment temperature is lower than the set point, the heating element will work again, the digital tube will display current room temperature normally.



When the system is on, press  button to turn off the system, or when the steam time is over the system shuts off 10 minutes after the system is shut off, the drainage function will be started automatically for 7 minutes.

 **Important:** when the steam generator is working, water inlet shall not be cut off.


### 3. TIME AND TEMPERATURE SETTING


When system is on, press  button twice, system will cycle switch in time setting, TEMP setting and ambient TEMP display state.

When the digital tube displays dashes across the screen it will allow you to set the duration of the steam bath. During this time, press  or  to adjust steam time. Its range is 1-60 minutes, with 1 minute intervals. If there is no adjustment in 5 seconds, the system will exit time setting automatically and the LED will display current ambient TEMP.

When the LED screen shows number and TEMP unit “°F (°C)”, it is displaying the indoor ambient temperature. When the TEMP unit F flashes on the LED screen, it means the system is in the steam TEMP setting state. During this time, press  or  to adjust steam TEMP. Its range is 50°~130° Fahrenheit, with 1° increments. If no adjustment is done in 5 seconds, the system will exit the TEMP setting automatically and the LED screen will display ambient temperature.


### 4. MEMOMY FUNCTION

When the system is on, it recalls the last time used with the steam time and TEMP. When the system is on, after adjusting steam time and steam TEMP, press  for about 1.5 seconds to adjust time and TEMP parameters as current state. The LED screen will show current settings.







When system is on, press  to switch modes between SET1 and SET2. The LED screen displays the current mode.

---



## 5. LIGHT FUNCTION

When the machine is started , press  button to turn on/off light function. When the light is turned on , the digital tube will temporarily display **00** . When the light is turned off , the digital tube will temporarily display **OFF** Screen will turn to display ambient TEMP if no operation is selected in 5 seconds.

## 6. REAL CLOCK TIME SETTING

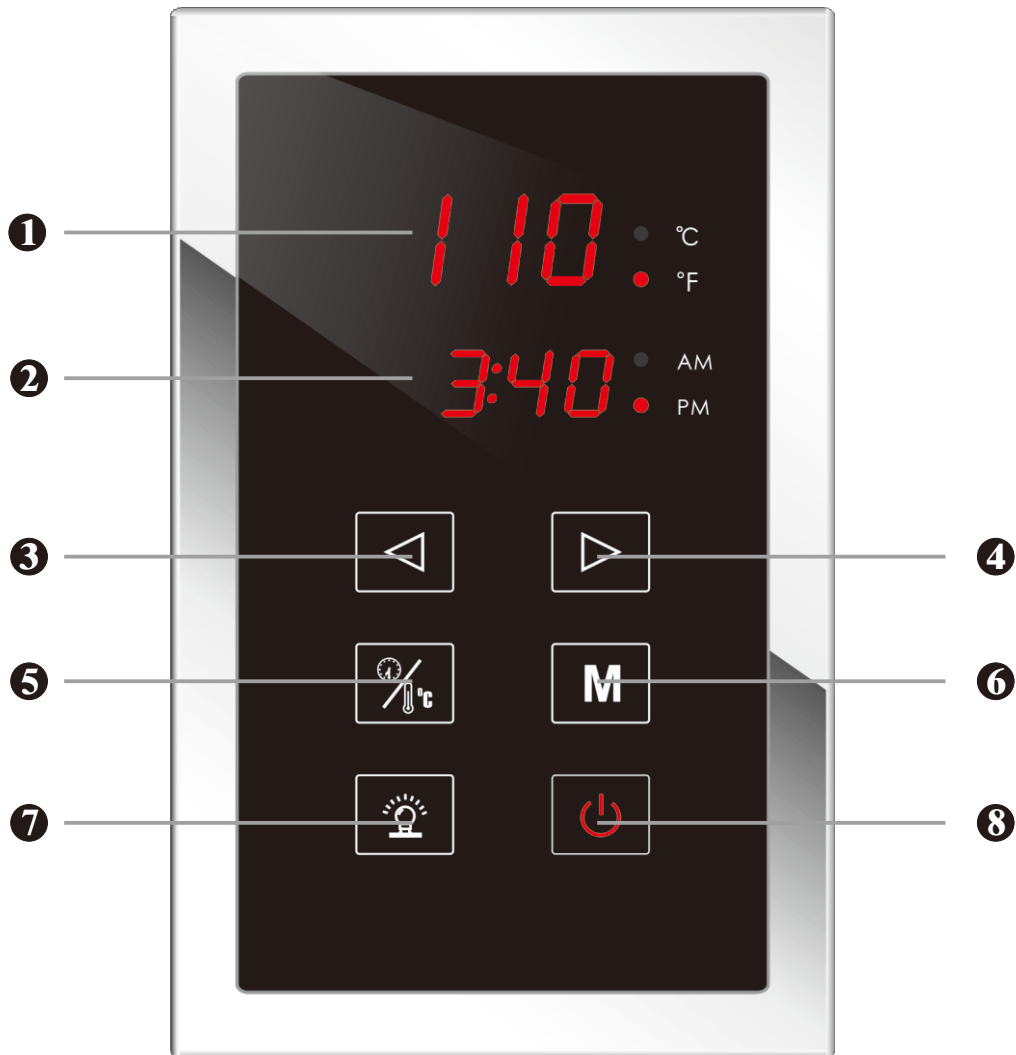
When system is on, keep pressing  button till number of hour flash, press  or  to adjust clock time in hour. after that, press  again shortly till the number of the minute flash, the press  or  key to set time in minute. After that , press key one more time, the system will exit real clock time setting automatically and the TIME display screen show real clock time.

## 7. CELSIUS AND FAHRENHEIT SWITCH

When the system is on, keep pressing  or  key for 2seconds, you can switch the TEMP unit between °F and °C.

## Introduction of the control panel

This model have main and sub control panel , both has same function , GS1090C is single control panel with main panel only , GS1090D is dual control panel with main&sub panel.



**1** TEMP DISPLAY SCREEN

**4** TIME/TEMP INCREASE

**7** LIGHT ON/OFF

**2** TIME DISPLAY SCREEN

**5** TIME/TEMP SET

**8** POWER ON/OFF

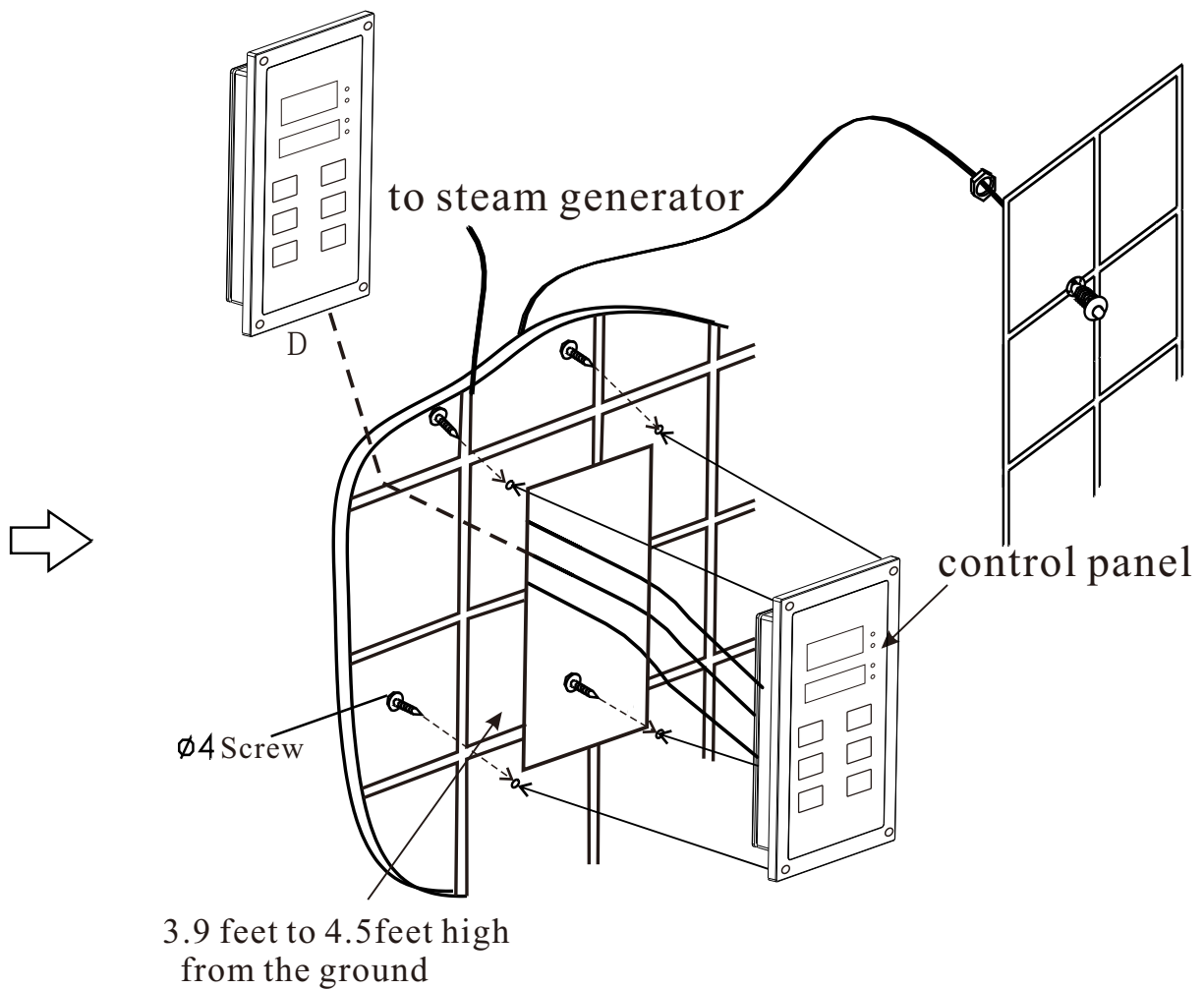
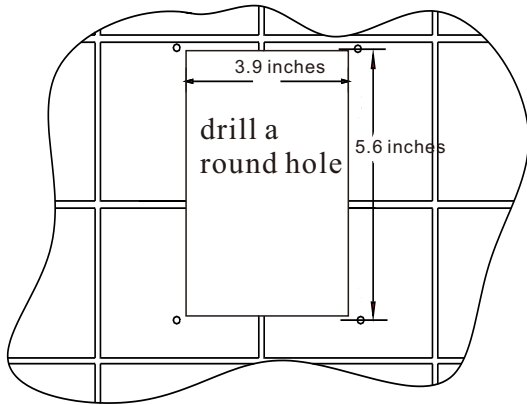
**3** TIME/TEMP DECREASE

**6** MEMORY



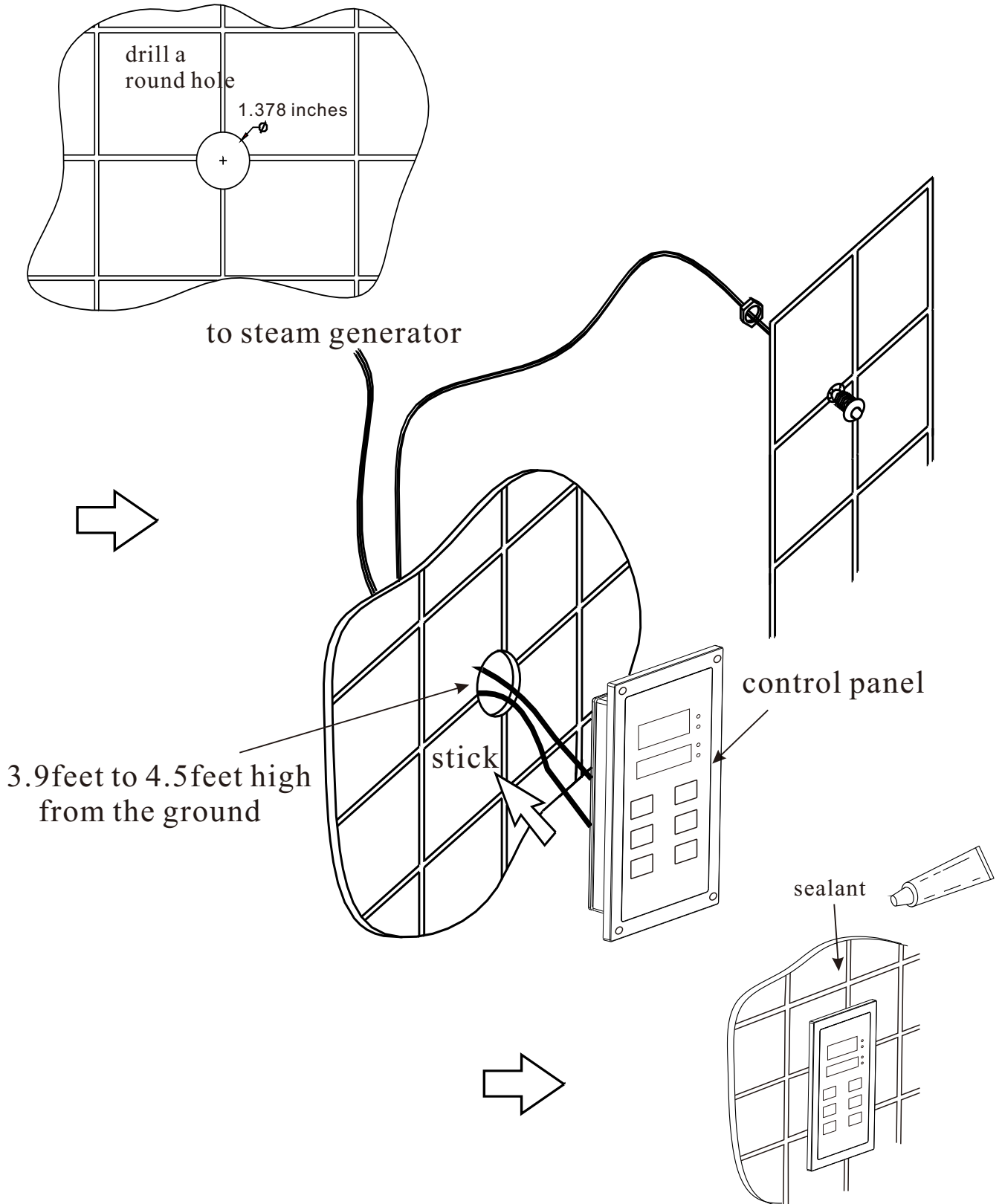
## Installation of control panel and TEMP sensor

One Way: Recess mount into wall



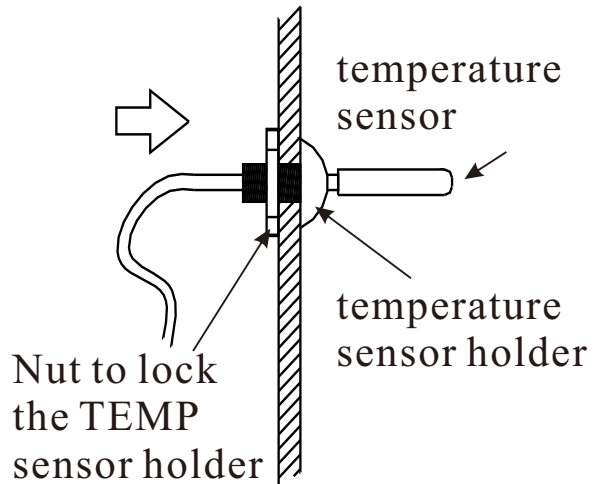
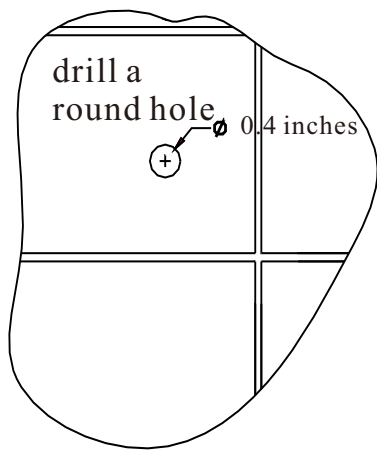
# Installation of control panel and TEMP sensor

Two Way:Stick on the wall



## Installation of control panel and TEMP sensor

### Installation of TEMP sensor



### Controller size and waterproof rating

Control panel model	GS1090C(single panel)	GS1090D(dual panel)
Panel size (length*width*height)	5.9x3.5x1 inches	5.9x3.5x1 inches
Waterproof rating	IP54	IP54

# Wiring Diagram

