
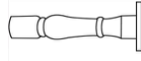




# Assembly Instructions

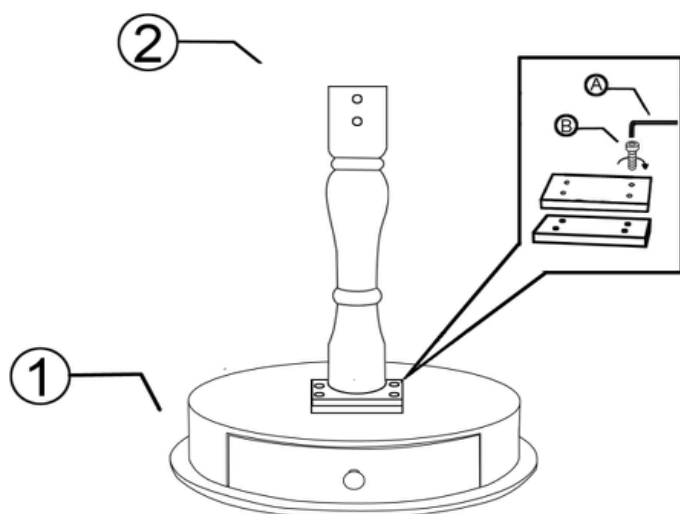
## ITEM: Wooden Table

Laying out all the parts and hardware and identify each part as shown may help you as you assemble the table.

ITEM	PART	DESC.	QTY
1		Table top	1
2		Wooden Base	1
3		Wooden legs	3
4		adjustable hardware	3

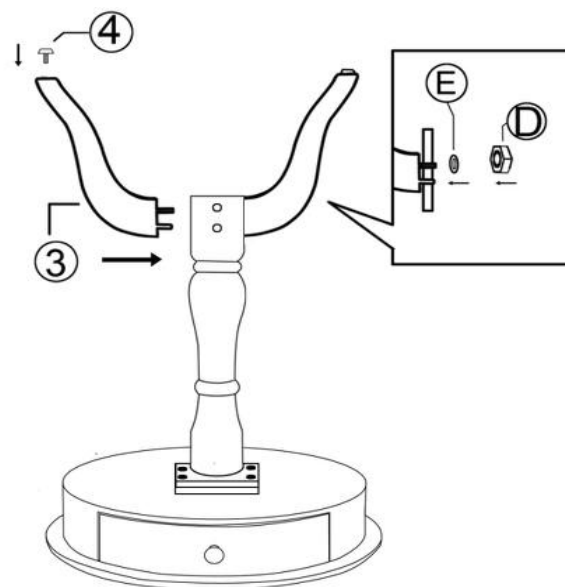
ITEM	PART	DESC.	QTY
A		Allen Key wrench	1
B		Screw	4
C		Wrench	1
D		Nut	3
E		Flat Washer	3

### STEP ONE



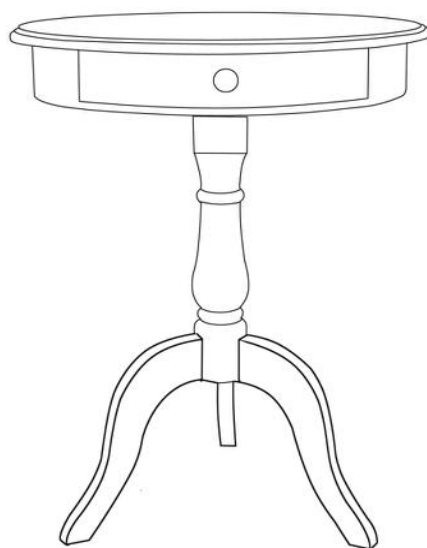
Turn table top upside down on a clean, dry and soft surface. Place the leg on the table top. Align the holes, and insert screws, tighten screws by allen key wrench.

### STEP TWO



Insert legs into base holes as shown, and tighten nuts with washer up by wrench. And turn the adjustable hardware.

### STEP THREE



If the table isn't on same level, adjust leg levelers on bottom of legs a bit.