

URBAN LOFT STORAGE BED

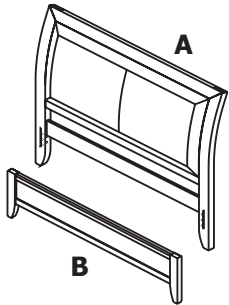
FULL/QUEEN/E-KING SIZE
ASSEMBLY INSTRUCTIONS



PARTS AND FITTING PACKAGING DETAIL

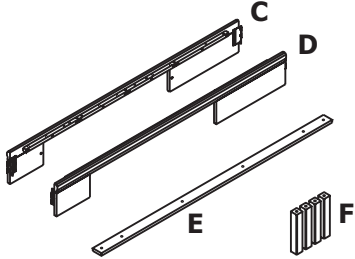
BOX #1

- A. HEADBOARD 1 PC
- B. FOOTBOARD 1 PC



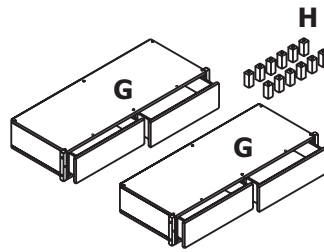
BOX #2

- C. LEFT SIDERAIL 1 PC
- D. RIGHT SIDERAIL 1 PC
- E. CENTER SLAT 1 PC
- F. LEG SUPPORTS 4 PCS
- HARDWARE BOX*



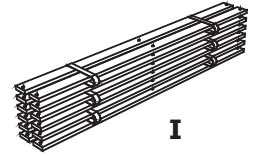
BOX #3

- G. STORAGES 2 PCS
- H. STORAGE FEETS 12 PCS

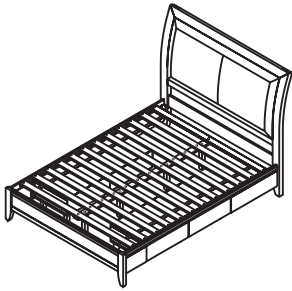


BOX #4

- I. BED SLATS 12 PCS



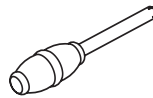
URBAN LOFT STORAGE BED
ASSEMBLED



HARDWARE* PACKED IN BOX #2

1	ROUND HEAD SCREW 15MM	12 PCS	2	WOOD SCREW Ø8X30MM	12 PCS	3	ALLEN KEY	1 PC	4	ALLEN BOLT 40MM	18 PCS

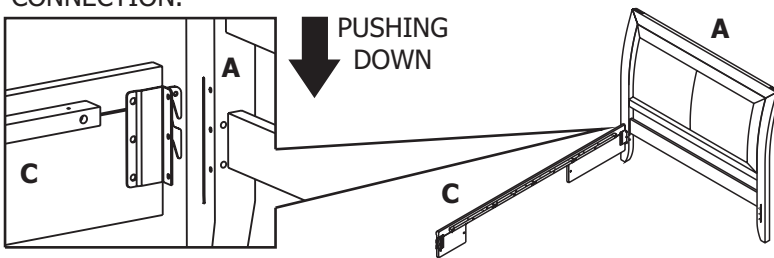
TOOL REQUIRED :
PHILLIPS HEAD SCREW
DRIVER (NOT PROVIDED)



**YOUR BOX
MAY CONTAIN
EXTRA HARDWARE**

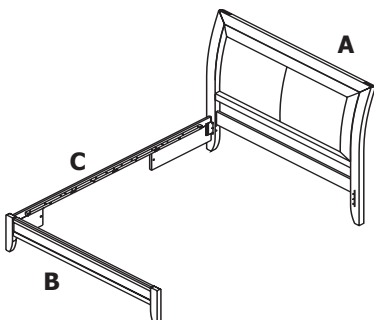
STEP 1 :

FIX LEFT SIDERAIL (C) TO THE HEADBOARD (A) BY SLIDING IN THE HOOK INSTALLED AT THE END OF LEFT SIDERAIL (C) TO THE HEADBOARD (A), AND PUSH DOWN THE LEFT SIDERAIL (C) TO SECURE THE CONNECTION.



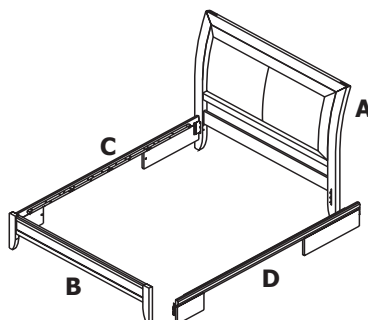
STEP 2 :

FIX THE OTHER END OF LEFT SIDERAIL (C) TO THE FOOTBOARD (B).



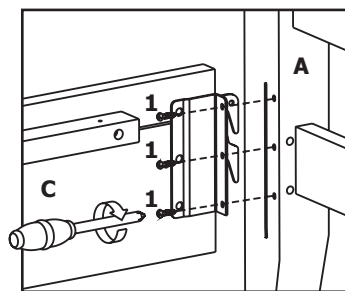
STEP 3 :

FIX RIGHT SIDERAIL (D) TO THE HEADBOARD (A) AND FOOTBOARD (B).



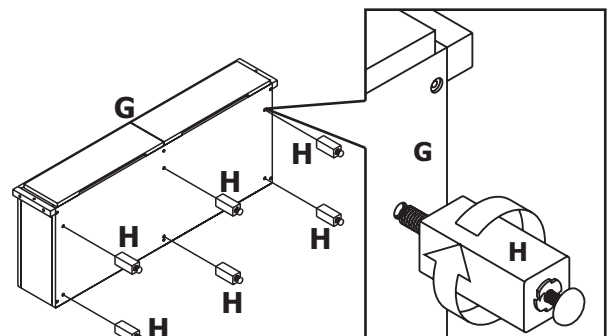
STEP 4 :

SECURE BOTH SIDERAILS (C,D) TO THE HEADBOARD (A) AND FOOTBOARD (B) USING ROUND HEAD SCREWS (1) AS SHOWN IN THE ILLUSTRATION.



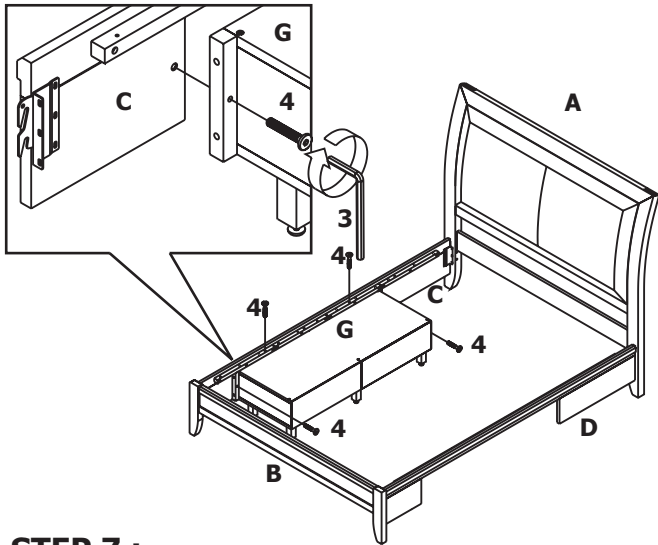
STEP 5 :

REMOVE PLASTIC COVER FROM STORAGE FEETS (H) BOLT. FOLLOW THE ILLUSTRATION TO FIX STORAGE FEETS (H) TO STORAGE (G).



STEP 6 :

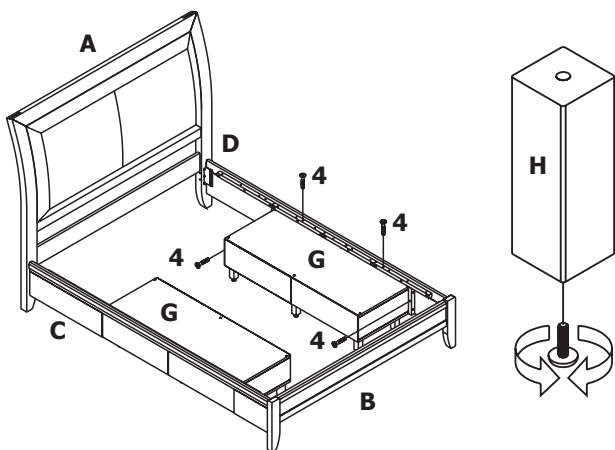
FOLLOW THE ILLUSTRATION TO FIX STORAGE (G) TO LEFT SIDERAIL (C) USING ALLEN BOLTS (4). USE ALLEN KEY (3) TO TIGHTEN THE BOLTS.



STEP 7 :

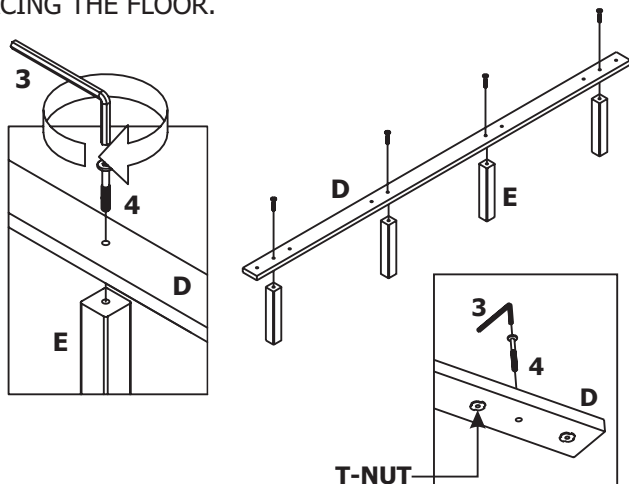
FIX STORAGE (G) TO RIGHT SIDERAIL (D) USING ALLEN BOLTS (4).

TURN LEVELER UNDERNEATH STORAGE FEET (H) TO ADJUST THE STORAGE (G) LEVEL AS SHOWN ON ILLUSTRATION.



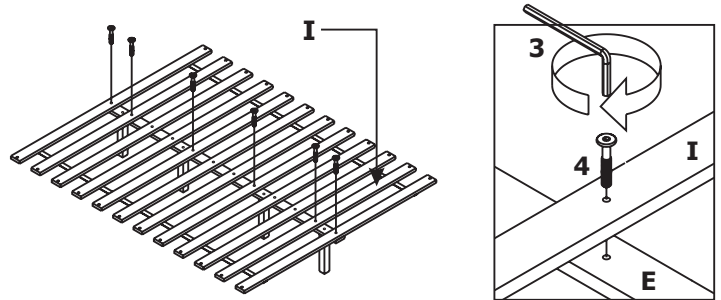
STEP 8 :

FIX LEG SUPPORTS (E) TO CENTER SLAT (D) USING ALLEN BOLTS (4). SLIDE ALLEN BOLTS (4) INTO PREDRILLED HOLES THAT DON'T HAVE A T-NUT IN IT ON THE CENTER SLAT (D). MAKE SURE THE T-NUT IS FACING THE FLOOR.



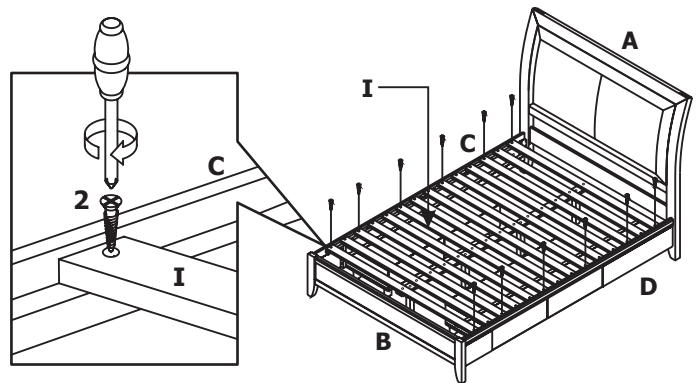
STEP 9 :

FOLLOW THE ILLUSTRATION TO SPREAD OUT ALL THE BED SLATS (I). FIX THE CENTER SLAT (E) TO THE BED SLATS (I) BY SLIDING IN THE ALLEN BOLTS (4) THROUGH THE HOLES FROM THE TOP OF BED SLATS (I) TO THE CENTER SLAT (E). USE THE 1ST, 2ND, 5TH, 8TH, 11TH AND 12TH PRE-DRILLED HOLES ON BED SLATS (I).



STEP 10 :

FOLLOW THE ILLUSTRATION TO PLACE THE BED SLATS (I) ON THE BED FRAME, AND FIX THE BED SLATS (I) USING WOOD SCREWS (2). USE THE PILOT HOLES ON THE SIDERAILS (C,D) AS YOUR REFERENCE, FOR EASY ASSEMBLY. YOU MAY NEED TO ADJUST THE SIDERAILS (C,D) POSITION TO LINE UP THE HOLES. MAKE SURE ALL BOLTS AND SCREWS ARE TIGHTENED BEFORE USING.



INSTRUCTIONS FOR ADJUSTING LEVELERS:

THE LEVELERS ARE LOCATED ON THE UNDERSIDE OF EACH OF THE LEG SUPPORTS. PLEASE ADJUST THE LEVELERS BY FOLLOWING THESE INSTRUCTIONS.

- 1 MAKE SURE THE LEVELERS ARE FLUSH WITH THE BOTTOM EDGE OF THE POSTS
- 2 ADJUST THE LEVELERS BY TURNING UNTIL THE LEG SUPPORTS MATCH EACH OTHER IN HEIGHT

