

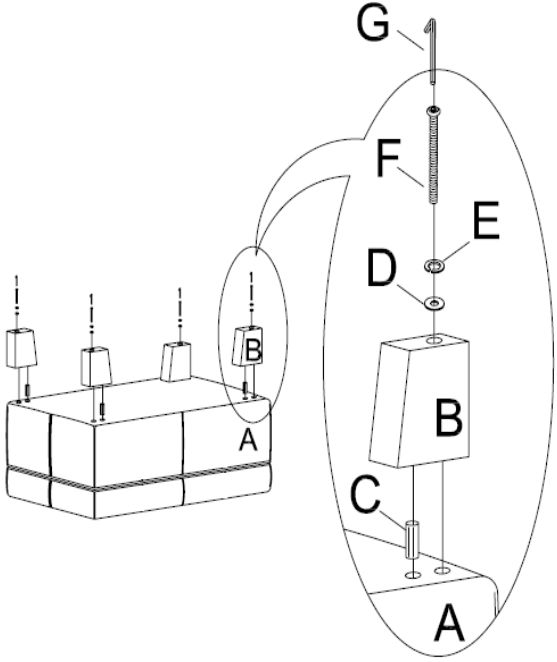
Assembly Instruction  
Urban Seating Storage  
Cube PU Chocolate  
Model Number: 2E-08-92



**IMPORTANT NOTE:** This carton includes the parts to assemble 1 complete bench. it will take 15-20minutes to complete.

PARTS LIST		Before you begin, please layout all parts and ensure you have the correct count.	
#	DESCRIPTION	QTY	ILLUSTRATION
A	Storage	1	
B	Leg	4	
C	Wood Dowel	4	
D	Flat Washer	4	
E	Lock Washer	4	
F	Bolt M8x90MM	4	
G	Aller Wrench	1	

# ASSEMBLY INSTRUCTIONS

STEP	INSTRUCTIONS	ILLUSTRATION
1	Attached leg(B) to Storage (A) by using Wood Dowel (C), Bolt (D), Lock Washer(E), Flat Washer (F), Allen Wrench(G) to fix leg(B) with storage (A)	
2	Complete assembly	