

INSTALLER: THESE INSTRUCTIONS MUST BE CONVEYED TO AND REMAIN WITH THE HOMEOWNER.

CERTIFIED UNDER CANADIAN AND AMERICAN NATIONAL STANDARDS, CR97-003, CAN1-2.21-M85, IAS U.S. 4-96.



QUALITY FIREPLACES
Award Winning Products

PATIOFLAME
INSTALLATION AND OPERATION INSTRUCTIONS FOR
OUTDOOR GAS FIREPLACE

NATURAL GAS MODEL **GPFN**
PROPANE GAS MODEL **GPPF**

WARNING: If the information in these instructions is not followed exactly, a fire or explosion may result causing property damage, personal injury or death.

FOR YOUR SAFETY

Do not store or use gasoline or other flammable vapours and liquids in the vicinity of this or any other appliance.

WHAT TO DO IF YOU SMELL GAS:

- Do not try to light any appliance.
- Do not touch any electrical switch.
 - Do not use any phone in your building.
- Immediately call your gas supplier from a neighbour's phone. Follow the gas supplier's instructions.
- If you cannot reach your gas supplier, call the fire department.

Installation and service must be performed by a qualified installer, service agency or the gas supplier.



Wolf Steel Ltd., 24 Napoleon Rd., Barrie, ON L4M 4Y8 Canada • (705)721-1212 • fax(705)722-6031

www.napoleonfireplaces.com • ask@napoleon.on.ca

W415-0372 / B / 04.24.06

WARNING

Improper installation, adjustment, alteration, service, or maintenance can cause injury or property damage. Read the installation, operating and maintenance instructions thoroughly before installing or servicing this equipment.

WARNING

DO NOT LEAVE PATIOFLAME UNATTENDED WHEN IN USE.

WARNING

FOR OUTDOOR USE ONLY.

WARNING

DO NOT USE FOR COOKING.

TABLE of CONTENTS

PG 2-4	INTRODUCTION Warranty General Information	7	FINISHING Log Placement
5	SPECIFICATIONS Dimensions Input Gas Inlet Pressures Minimum Clearance to Combustibles	8	OPERATION Operating Instructions Maintenance
6-7	INSTALLATION Natural Gas Propane Enclosures for LP Gas Supply Systems Tank Retaining Bracket	9	MAINTENANCE High Elevation Installation
		10-11	REPLACEMENTS Ordering Replacement Parts Replacement Parts

PLEASE RETAIN THIS MANUAL FOR FUTURE REFERENCE

NAPOLEON gas appliances are manufactured under the strict Standard of the world recognized ISO 9001 : 2000 Quality Assurance Certificate.

NAPOLEON products are designed with superior components and materials, assembled by trained craftsmen who take great pride in their work. The burner and valve assembly are leak and test-fired at a quality test station. Once assembled the complete appliance is thoroughly inspected by a qualified technician before packaging to ensure that you, the customer, receives the quality product that you expect from NAPOLEON.

NAPOLEON GAS APPLIANCE 5 YEAR LIMITED WARRANTY

All stainless steel components of your new Napoleon gas appliance are warranted against defects for five years.

All parts such as gas valves, logs, gasketing are covered and Napoleon will provide replacement parts free of charge during the first year of the limited warranty.

Labour related to warranty repair is covered free of charge during the first year. Repair work, however, requires the prior approval of an authorized company official. Labour costs to the account of NAPOLEON are based on a predetermined rate schedule and any repair work must be done through an authorized NAPOLEON dealer.

CONDITIONS AND LIMITATIONS

NAPOLEON warrants its products against manufacturing defects to the original purchaser only – i.e., the individual or legal entity (registered customer) whose name appears on the warranty registration card filed with NAPOLEON – provided that the purchase was made through an authorized NAPOLEON dealer and is subject to the following conditions and limitations:

This limited warranty applies only while the unit remains at the site of original installation, and only if the unit is installed in Canada or the United States.

This factory warranty is nontransferable and may not be extended whatsoever by any of our representatives.

Installation must be done in accordance with the installation instructions included with the product and all local and national building and fire codes.

This limited warranty does not cover damages caused by misuse, lack of maintenance, accident, alterations, abuse or neglect and parts installed from other manufacturers will nullify this warranty.

This limited warranty further does not cover any scratches, dents, corrosion or discolouring caused by excessive heat, abrasive and chemical cleaners, mechanical breakage of logs and embers.

In the first year only, this warranty extends to the repair or replacement of warranted parts which are defective in material or workmanship provided that the product has been operated in accordance with the operation instructions and under normal conditions.

After the first year, with respect to this Limited Warranty, NAPOLEON may, at its discretion, fully discharge all obligations with respect to this warranty by refunding to the original warranted purchaser the wholesale price of any warranted but defective part(s).

After the first year, NAPOLEON will not be responsible for installation, labour or any other costs or expenses related to the reinstallation of a warranted part, and such expenses are not covered by this warranty.

Notwithstanding any provisions contained in this Limited Warranty, NAPOLEON'S responsibility under this warranty is defined as above and it shall not in any event extend to any incidental, consequential or indirect damages.

This warranty defines the obligations and liability of NAPOLEON with respect to the NAPOLEON gas appliance and any other warranties expressed or implied with respect to this product, its components or accessories are excluded.

This limited warranty does not cover damages resulting from the use of components not supplied with the appliance, or the use of fuel other than those specified.

Any damages to appliance due to weather, long periods of dampness, condensation, damaging chemicals or cleaners will not be the responsibility of NAPOLEON.

The bill of sale or copy will be required together with a serial number and a model number when making any warranty claims from your authorized dealer. The warranty registration card must be returned within fourteen days to register the warranty.

NAPOLEON reserves the right to have its representative inspect any product or part thereof prior to honouring any warranty claim.

GENERAL INFORMATION

WARNING

This appliance shall be used **ONLY** outdoors in a well-ventilated space and shall **NOT** be used inside a building, garage, or any other enclosed area.

WARNING

This appliance **MUST NOT** be used for cooking.

WARNING

THIS UNIT IS NOT FOR USE WITH SOLID FUEL.

WARNING

Cylinders must be stored outdoors in a well-ventilated area out of reach of children. Disconnected cylinders must have threaded valve plugs tightly installed and must not be stored in a building, garage or any other enclosed area.

WARNING

Storage of this appliance indoors is permissible only if it has been disconnected from its fuel supply (natural gas line or LP gas cylinder).

The installation must conform with Local codes or in the absence of local codes, with the National Fuel Gas Code ANSI Z223.1/INFP 54 in the United States or CSA B149.1, Natural and Propane Installation code in Canada.

The appliance and its individual shut off valve must be disconnected from the gas supply piping system during any pressure testing of the system at test pressures in excess of 1/2 psig (3.5kPa).

This appliance must be isolated from the gas supply piping system by closing its individual manual shut off valve during any pressure testing of the gas supply piping system at test pressures equal to or less than 1/2 psig (3.5kPa).

The following clearances to combustible materials must be maintained: Bottom - * 0 inches, Sides (all around) - 24 inches (610mm), Top - 72 inches (1.830m).

Always keep the appliance area clear and free from combustible materials, gasoline, and other flammable vapours and liquids.

Do not locate appliance where it can get excessively wet. Do not use this appliance if any part has been under water. Immediately call a qualified service technician to inspect the unit and to replace any part of the control system and any gas control which has been underwater.

* **SEE PAGE 5.**

- Installation and repair should be done by a qualified service person. The appliance should be inspected before use and at least annually by a qualified service person. More frequent cleaning may be required as necessary. It is imperative the control compartment, burners and circulating air passageways of the appliance be kept clean.
- If it is evident there is excessive abrasion or wear, or the hose is cut, it must be replaced prior to the appliance being put into operation.
- Children and adults should be alerted to the hazards of high surface temperatures and should stay away to avoid burns or clothing ignition.
- Young children should be carefully supervised when they are in the area of the appliance.
- Clothing or other flammable materials should not be hung from the appliance, or placed on or near the appliance.
- Any guard or other protective device removed for servicing the appliance must be replaced prior to operating the appliance.
- Inspect the fuel supply connection for signs of leakage (including the hose for LP models) before each use of the appliance.
- The pressure regulator and hose assembly supplied with LP models must be used. Replacement pressure regulators and hose assemblies must be those specified in this manual.
- The LP gas supply cylinder used with LP models must be constructed and marked in accordance with the specifications for LP-gas cylinders as required by the U.S. Department of Transportation (DOT) or the Canadian Transport Commission (CTC).
- The LP gas cylinder supply system must be arranged for vapour withdraws.
- The LP-gas cylinder used must include a collar to protect the cylinder valve.
- When an LP model is not in use, the LP-gas must be turned off at the supply cylinder.
- To extend the life of your Patioflame, protect and cover it from the elements when not in use.

**NATIONAL
FIREPLACE
INSTITUTE**

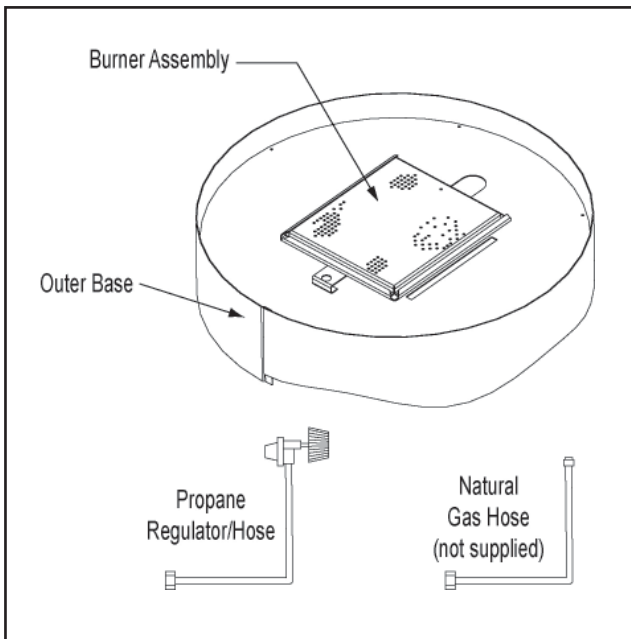
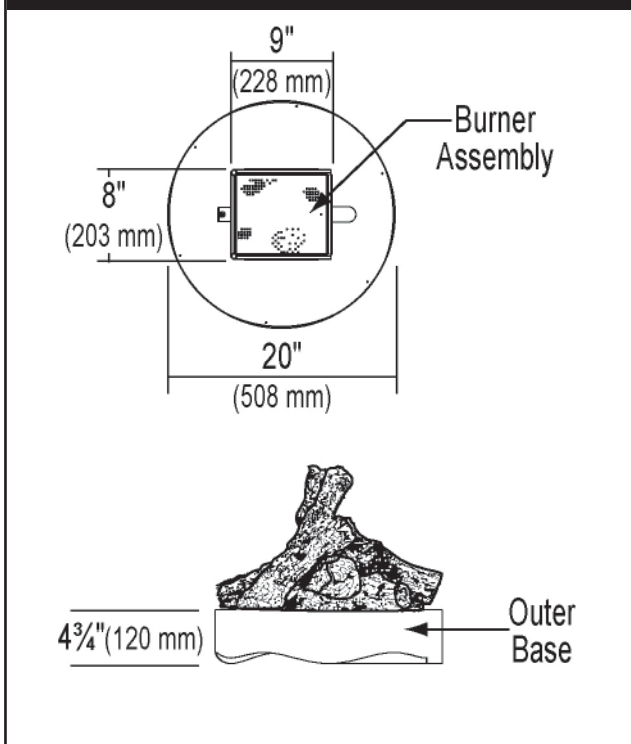


CERTIFIED
www.nficertified.org

We suggest that our gas hearth products be installed and serviced by professionals who are certified in the U.S. by the National Fireplace Institute® (NFI) as NFI Gas Specialists.

SPECIFICATIONS

DIMENSIONS



* WHEN THE PATIO FLAME IS BEING USED WITH THE OPTIONAL TRIPOD, IT MUST NOT BE SITUATED ON A COMBUSTIBLE SURFACE.

INPUT

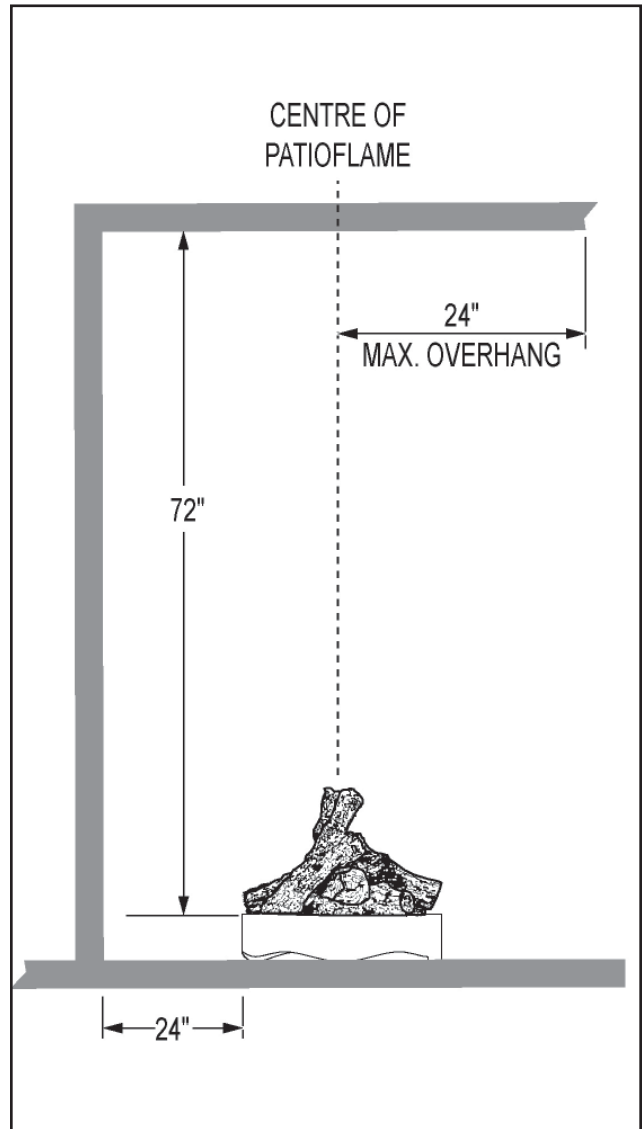
Model	Fuel	Max. Input Btu/Hr
GPFN	Natural Gas	60,000
GFPF	Propane Gas	60,000

GAS INLET PRESSURES

	Natural	LP (Propane)
Minimum Inlet Pressure	4.5" w.c.	11.0" w.c.
Maximum Inlet Pressure	14.0" w.c.	14.0" w.c.

MINIMUM CLEARANCE TO COMBUSTIBLES

	Inches	mm
Floor	*0	*0
Side Walls	24	610
Top of unit to ceiling	72	1.830



INSTALLATION

The log set and the burner assembly are shipped together. Remove the gas log set and burner assembly and check for damage. DO NOT install damaged components. The logs are fragile use care when handling.

Place the Patioflame on a level/secure surface in desired location. This location must be adjacent to the gas supply line or cylinder.

NOTE: Minimum clearances to combustible construction must be maintained. (See Page 5)

You must have clear and easy access to the on/off valve AFTER the appliance is installed and connected to the gas supply in order to safely turn off the burner.

THE ON/OFF GAS VALVE IS USED TO TURN THE BURNER ON AND OFF.

NATURAL GAS

Connect the incoming gas supply line to the on/off gas valve of the appliance. Make certain ALL gas connections are tight, turn the on/off valve at the unit slowly to the on position and use soap water to test for leaks.

DO NOT USE AN OPEN FLAME.

LP GAS

1. Attach tank retaining bracket supplied to the base of the cylinder. Then secure to the surface to which it sits. Cylinder should be on a level surface.

2. Make sure tank valve is in its full off position. (Turn clockwise to stop).

3. Check tank valve features to ensure it has proper external mating threads. (Tank Valve Marked: USE WITH TYPE 1)

4. Inspect hose shipped with the unit for damage. Never attempt to use damaged or plugged equipment. See your local LP Gas Dealer for repairs.

5. After inspecting the LP hose shipped with the unit, connect the end with the female fitting on the hose to the male fitting on the on/off gas valve at the end of the flex tube. Tighten fittings using 2 wrenches.

6. When connecting regulator assembly to the tank valve, hand tighten black QCC1 nut clockwise to a positive stop. DO NOT use a wrench to tighten. Use of a wrench may damage the quick closing coupling nut and result in a hazardous condition.

7. Locate the hose out of pathways where people may trip over it or in areas where the hose may be subject to accidental damage.

8. Open tank valve fully (counter-clockwise). Turn the on/off valve at the unit slowly to the on position and use a soapy water solution to check all connections for leaks before attempting to light the appliance. If a leak is found, turn tank valve off and do not use the appliance until repairs can be made.

ENCLOSURES FOR LP GAS SUPPLY SYSTEMS

If you build an enclosure for an LP gas cylinder, follow these recommended specifications. You must also follow local codes.

Enclosures for LP gas supply cylinders shall be ventilated by openings at the level of the cylinder valve and at floor level. The effectiveness of the opening(s) for purposes of ventilation shall be determined with the LP gas supply cylinder(s) in place. This shall be accomplished by one of the following:

1. One side of the enclosure shall be completely open;

or

2. For an enclosure having four sides, a top and bottom:

a) At least two ventilation openings at cylinder valve level shall be provided in the side wall, equally sized, spaced at 180 degrees (3.14 rad), and unobstructed. Each opening shall have a total free area of not less than ½ square inch per pound (3.2 sq. cm/kg) of stored fuel capacity and not less than a total free area of 10 square inches (64.5 sq. cm).

b) Ventilation opening(s) shall be provided at floor level and shall have a total free area of not less than ½ inch per pound (3.2 sq. cm/kg) of stored fuel capacity and not less than a total free area of 10 square inches (64.5 sq. cm). If ventilation openings at floor level are in a side wall, there shall be at least two openings. The bottom of the openings shall be at floor level and the upper edge no more than 5 inches (127mm) above the floor. The openings shall be equally sized, spaced at 180 degrees (3.14 rad) and unobstructed.

c) Every opening shall have minimum dimensions so as to permit the entrance of a 1/8 inch (3.2mm) diameter rod.

3. Cylinder valves shall be readily accessible for hand operation. A door on the enclosure to gain access to the cylinder valve is acceptable, provided it is non-locking and can be opened without the use of tools.

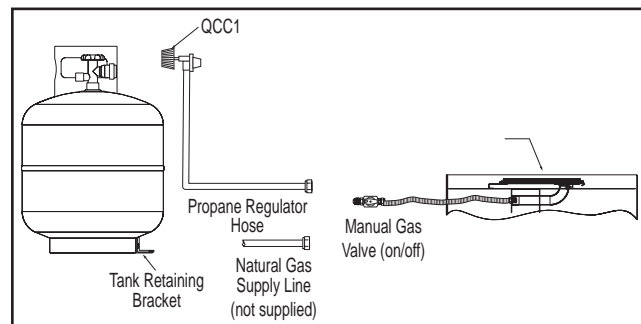
4. There shall be a minimum clearance of 2 inches (50.8mm) between the lower surface of the floor of the LP gas supply cylinder enclosure and the ground.

5. The design of the enclosure shall be such that (1) the LP gas supply cylinder(s) can be connected, disconnected and the connections inspected and tested outside the cylinder enclosure; and (2) those connections which could be disturbed when installing the cylinder(s) in the enclosure can be leak tested inside the enclosure.

6. Be certain to mount or set the LP gas cylinder on a flat surface and restrain it to prevent it from tipping.

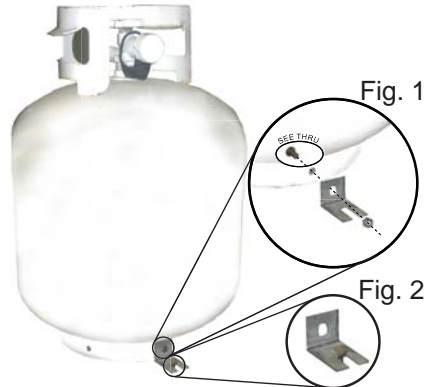
Purge the gas supply line of any trapped air prior to the first firing of the unit.

WARNING: During the initial purging and subsequent lightings, NEVER allow gas valve to remain in the "Open" position without first placing and igniting the firestarter.



TANK RETAINING BRACKET

1. Fasten the bracket to the bottom of the propane bottle using bolt and nut supplied. (Fig. 1)
2. Tighten the lag screw into the mounting surface leaving approximately $\frac{1}{4}$ " of thread above the surface.
3. Slide propane bottle into position so that the bracket slides under the head of the lag screw. (Fig. 2)
4. Tighten the lag screw onto the bracket.
5. For fastening to a concrete surface a concrete anchor will be required. (Not Supplied)



3. Place pocket on log #2 onto the locator on the base log.



4. Hook log #3 into notch on base log.



5. Place log #4 into notch on base and pocket on log #3.



6. Patioflame is supplied with 2.5lbs of lava rock and 2.5lbs of shale. All 5lbs can be poured into outer ring. It may be mixed, or layered with desired aggregate on top.

DO NOT PLACE AGGREGATE ONTO BURNER.

FINISHING

LOG PLACEMENT / AGGREGATE



1. Set base log onto burner ensuring stud and bracket fit into hole and notch. Base log should sit flat on "Patioflame" base.



2. Place "Y" end of log #1 into "Y" notch on the base log.

OPERATION

Upon completing the gas line connection, a small amount of air will be in the lines. When first lighting the burner, it will take a few seconds for the lines to purge themselves of this air.

Once the purging is complete, the burner will light and operate as indicated in the instruction manual. Subsequent lighting of the appliance will not require such purging unless the gas supply has been disconnected.

WARNING: Read and follow the safety and lighting instructions page in this manual and on labels on the appliance. **IF YOU DO NOT FOLLOW THESE INSTRUCTIONS PRECISELY, A FIRE OR EXPLOSION MAY RESULT AND YOU MAY BE SERIOUSLY INJURED.**

FOR YOUR SAFETY READ BEFORE LIGHT-

- A.** This appliance must be lit by hand while following these instructions exactly.
- B.** Before operating smell all around the appliance area for gas and next to the floor because some gas is heavier than air and will settle on the floor
- C.** Use only your hand to turn the manual gas control valve. Never use tools. If the valve will not turn by hand, do not try to repair it. Call a qualified service technician. Force or attempted repair may result in a fire or explosion.
- D.** Do not use this appliance if any part has been under water. Immediately call a qualified service technician to inspect the appliance and replace any part of the control system and any gas control which has been under water.

WHAT TO DO IF YOU SMELL GAS

- Do not try to light any appliance.
- Do not touch any electric switch; do not use any phone in your building.
- Immediately call your gas supplier from a neighbour's phone. Follow the gas supplier's instructions.
- If you cannot reach your gas supplier, call the fire department.

LIGHTING INSTRUCTIONS

- 1.** Locate the manual gas control valve.
- 2.** Place the firestarter near the burner ports on top of the burner. Light the firestarter. For a Natural Gas unit, turn on the ON/OFF valve slowly at the unit. For a LP unit, turn the valve in the LP tank counter clockwise all the way and then turn on the ON/OFF valve slowly at the unit.
- 3.** If the burner does not light before the fire starter goes out, immediately turn the gas off.
- 4.** Wait at least five (5) minutes to clear out any gas. Then smell for gas including near the base of the unit. If you smell gas, STOP! Refer to the safety information in the owner's manual. If you don't smell gas, repeat step 2.

TO TURN OFF GAS

Turn the ON/OFF valve to the off position at the unit for Natural Gas unit.

For LP unit, turn the ON/OFF valve to the off position at the unit and then turn the valve on the LP tank to the OFF position clockwise.

NOTE

The propane regulator in this appliance is equipped with a low flow protection device. Unless the propane cylinder valve is opened before the patioflame valve, the gas flow will be reduced resulting in a very small flame.

To reset this device, shut off the patioflame valve, then the propane cylinder valve.

Next, disconnect the regulator adaptor from the tank and then reconnect. Follow the lighting procedure ensuring the propane cylinder valve is opened before the unit is.

MAINTENANCE

1. The appliance should be inspected before initial use and inspected and cleaned at least annually by a qualified field service person.
2. Tampering is DANGEROUS and voids all warranties. Any component that is found to be faulty, must be replaced with an approved component.
3. To obtain proper operation, it is imperative that the burner flame characteristics are steady, not lifting or floating. Check the burner flame patterns with the figure below.



4. Periodically remove the logs and examine the burner. If dirty, clean with a soft brush. Also examine the area around the burner air shutter. Any dirt or foreign material, such as spider webs or nests, in this area should be removed. This will ensure long life and trouble free operation. When the appliance is put back in service, check the burner flame patterns with the figure above. Reinstall the logs as shown in the log placement instructions.

5. Periodically check the hose connecting the LP gas cylinder to ensure it is not damaged in any way.

NOTE: Carbon (soot) may build up on the surface of the logs with heavy use. This is more likely to occur when using LP gas. The soot should be cleaned off the surface of the logs periodically to prevent excessive build up. To clean the logs, be sure the fire is out, the gas supply is turned off and the logs are cool to the touch. The soot can then be brushed off with a dry bristle brush or cloth. Take care while cleaning the logs as they can become damaged if mishandled. Care should be taken to dispose of the soot and cleaning materials properly. Keep away from clothing and outdoor furniture.

During the winter months in cold weather climates, it is recommended to disconnect the Patioflame and store it in a cool dry place. Do not store the propane tank inside. For the remainder of the year, protect and cover your Patioflame from rain, freezing rain and snow.

HIGH ELEVATION INSTALLATION

This listed gas appliance is tested and approved for elevations from 0 to 4500 feet in Canada and the U.S.

When installing this appliance at an elevation above 4500 feet (in the U.S.), it may be necessary to decrease the input rating by changing the existing burner orifice to a smaller size. Input should be reduced four percent (4%) for each 1,000 feet above sea level, unless the heating value of the gas has been reduced, in which case this general rule will not apply. To identify the proper orifice size, check with the local gas utility.

When installing this unit at an elevation above 4,500 feet (in Canada), check with local authorities.

Consult your local gas utility for assistance in determining the proper orifice for your location.

REPLACEMENTS

Contact your Napoleon dealer or the factory for questions concerning prices and policies on replacement parts. Normally all parts can be ordered through your Napoleon dealer or distributor.

When ordering replacement parts always give the following information:

FOR WARRANTY REPLACEMENT PARTS, A PHOTOCOPY OF THE ORIGINAL INVOICE WILL BE REQUIRED TO HONOUR THE CLAIM.

MODEL & SERIAL NUMBER OF APPLIANCE

2. INSTALLATION DATE OF APPLIANCE
3. PART NUMBER
4. DESCRIPTION OF PART
5. FINISH

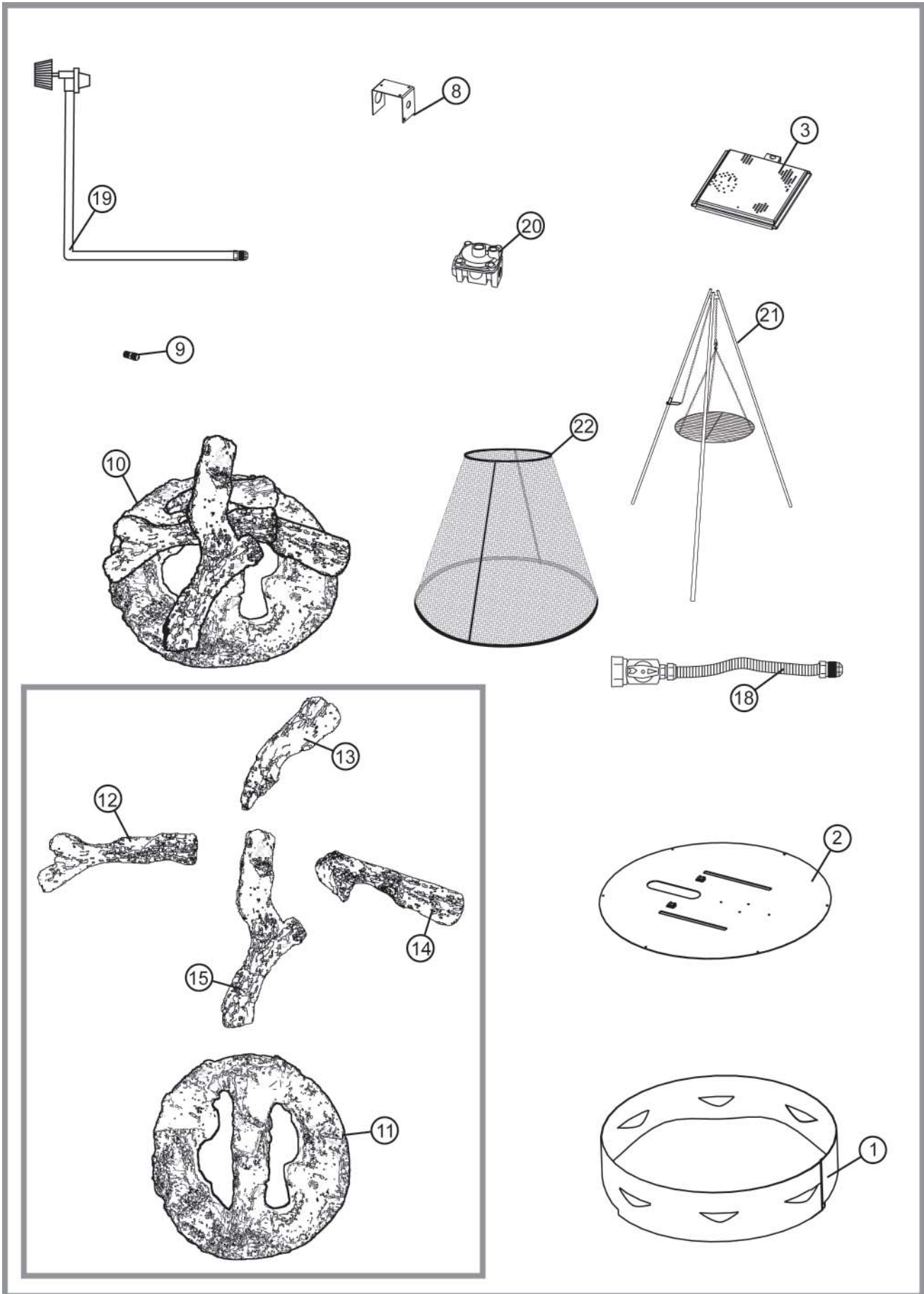
*** IDENTIFIES ITEMS WHICH ARE NOT ILLUSTRATED. FOR FURTHER INFORMATION, CONTACT YOUR NAPOLEON DEALER.**

REPLACEMENT PARTS

1	W035-0104	OUTER BASE
2	W655-0176	LOG SUPPORT
3	W010-1030	BURNER ASSEMBLY
8	W080-0618	ORIFICE BRACKET
9	W455-0076	PROPANE ORIFICE - #43
9	W455-0077	NATURAL GAS ORIFICE - #25
9	W455-0079	#60 orifice, "blank" (NG)
9	W455-0080	#60 orifice, "blank" (LP)
10	GL-640	LOG SET
11	W135-0189	BASE LOG
12	W135-0190	LOG #1
13	W135-0191	LOG #2
14	W135-0192	LOG #3
15	W135-0193	LOG #4
16*	W550-0005	AGGREGATE SHALE
17*	W550-0005	AGGREGATE LAVA ROCK
18	W175-0210	FLEX c/w SHUT OFF - stainless steel
19	W530-0023	PROPANE REGULATOR / HOSE ASSEMBLY (LP UNITS ONLY)
20	W530-0024	NG REGULATOR (NG UNITS ONLY)

ACCESSORIES

21	TG9340	TRIPOD
22	W320-0014	WIRE GUARD



Wolf Steel Appliance Service History

This appliance must be serviced annually depending on usage.

Date	Dealer Name	Service Technician Name	Service Performed	Special Concerns