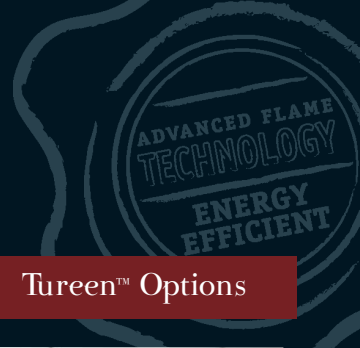


Introducing Napoleon's Tureen™ - Direct Vent Gas Fireplace

Tureen™




NAPOLEON
QUALITY FIREPLACES
Award Winning Products



Tureen™ Options

GD82-T The Tureen™ Direct Vent Gas Fireplace

Combining style, modernism and elegance into one fireplace, Napoleon® is excited to introduce the Tureen™: A totally unique European style showcasing a contemporary ceramic bowl accented with stylish river rocks and a towering flame. It's unique design is certain to create a dynamic and extraordinary focal point wherever it is installed.

Standard Features

- Up to 26,000 BTU's
- 50% flame/heat adjustment for maximum comfort and efficiency
- The remarkable towering flame is created by the Tureen's unique heavy gauge Medallion™ burner system
- Double fired ceramic bowl with high temperature resistant refractory river rocks
- Concave polished satin chrome reflective panel
- Heat resistant high temperature ceramic glass door
- No electricity required to light or operate - millivolt system ensures reliable use even during power failures
- 100% SAFE GUARD™ gas control system automatically and quickly shuts off the gas supply for your peace of mind
- Zero clearance to combustibles
- Controls are concealed from view but easily accessible
- Exclusive Napoleon® Night Light™ radiating a warm glow to the room when the fireplace is off
- Standard convenient hand-held thermostatic remote (controlling blower, flame intensity, temperature and Night Light™)
- Available as a natural gas or propane unit
- Dependable President's Limited Lifetime Warranty

Tureen™

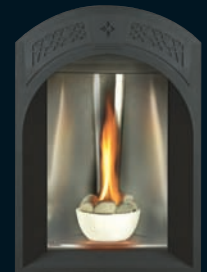


Napoleon's stainless steel surround and hearth

Facing Kits



Rectangular facing kit available in painted black, brown, taupe and pewter



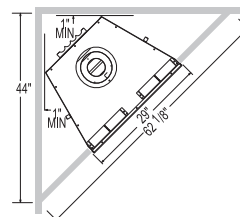
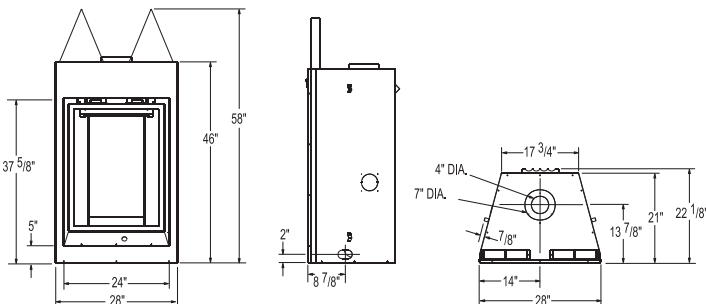
Arched facing kit with heritage pattern available in painted black



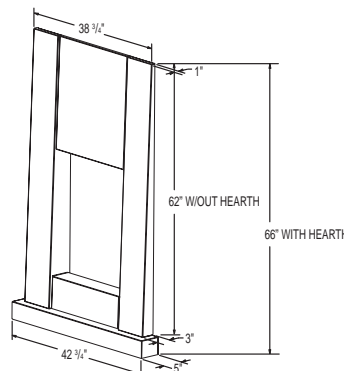
Arched facing kit with lattice pattern available in hand crafted wrought iron

Optional Accessories

- Optional stainless steel surround and hearth
- Optional arched facing kit available in painted black with heritage pattern or hand crafted wrought iron with lattice pattern
- Optional rectangular facing kit in painted black, brown, taupe and pewter



Surround Dimensions



• 103 Miller Drive, Crittenden, Kentucky, USA 41030
 • 24 Napoleon Road, Barrie, Ontario, Canada L4M 4Y8
 • 7200 Trans Canada Highway, Montreal, Quebec, Canada H4T 1A3

Tel: 705-721-1212 Fax: 705-722-6031
www.napoleonfireplaces.com • www.fireplacedesignstudio.com



Printed in Canada
 ADBR556 05/07