

# CRYST RAMA



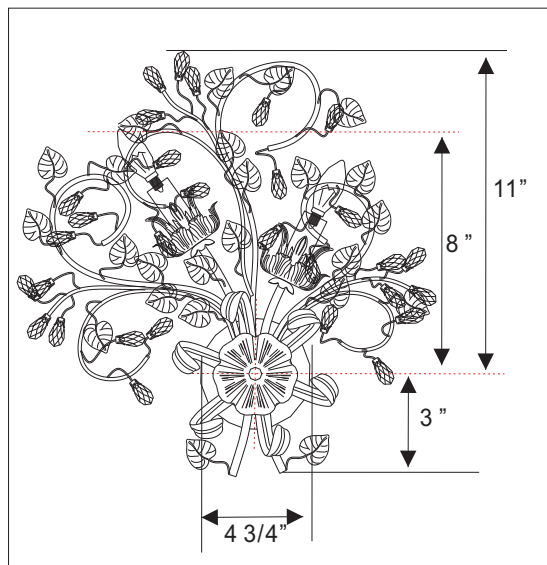
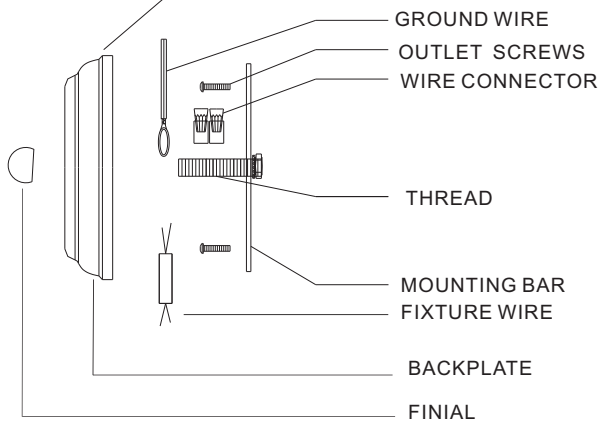
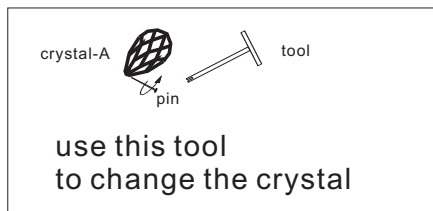
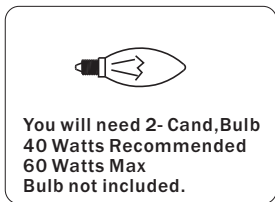
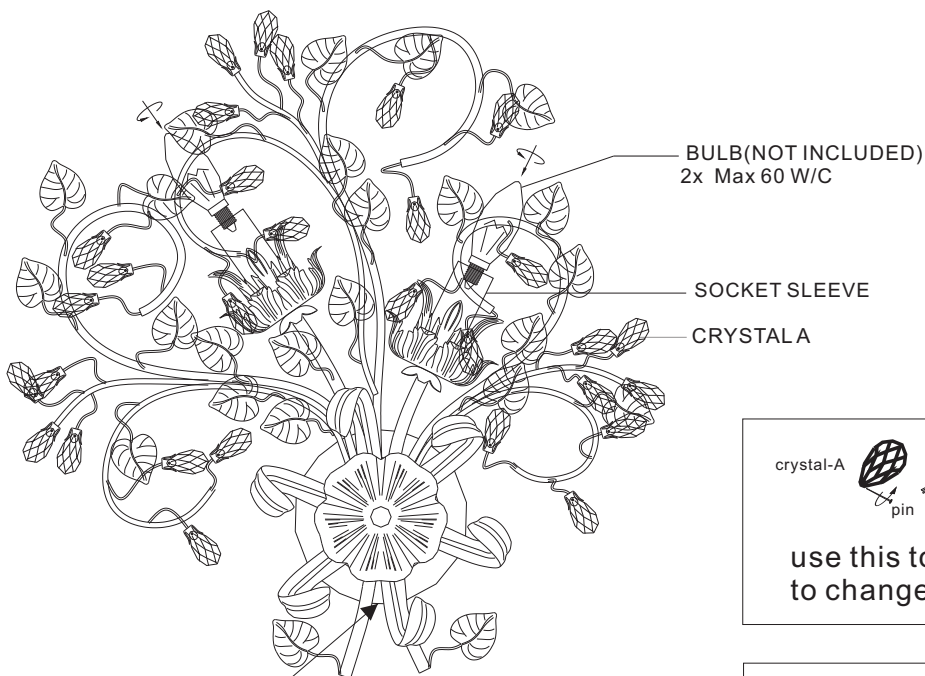
1958

95 Cantiague Rock Road, Westbury NY 11590  
 ph:516.931.9090 fax:516.931.1254  
 info@crystorama.com • www.crystorama.com

## MODEL#:4842-CT ASSEMBLY AND DRESSING INSTRUCTIONS



All electrical components must be installed by a licensed electrician in accordance with the National Electric Code and the appropriate local electrical codes.



CRYSTAL A=  1.5" x 21PCS