

# CRYST RAMA

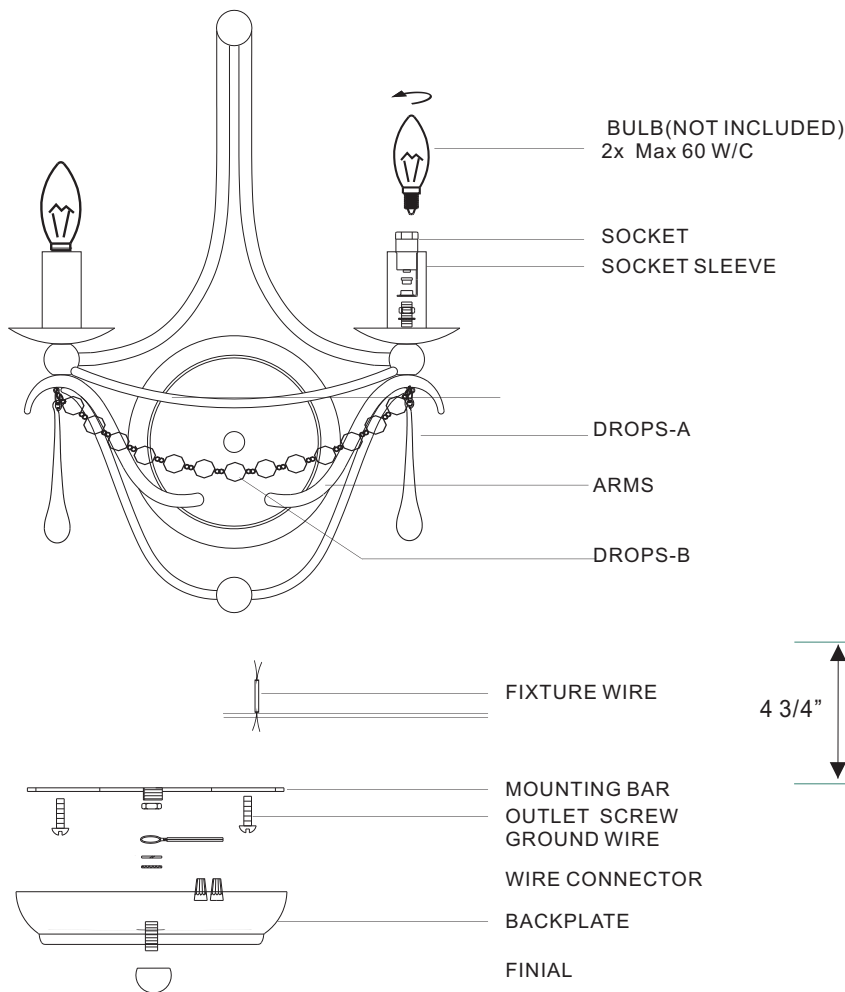
1958

95 Cantiague Rock Road, Westbury NY 11590  
 ph:516.931.9090 fax:516.931.1254  
 info@crystorama.com • www.crystorama.com

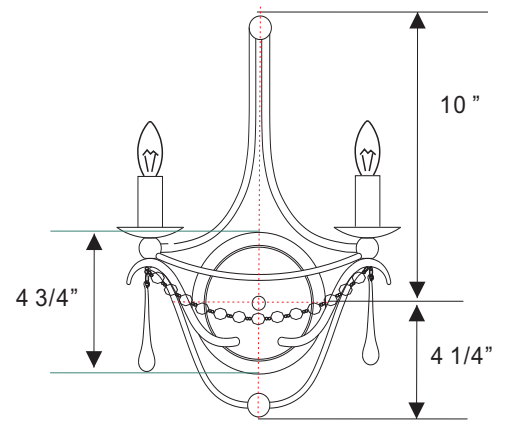
## MODEL#:422-SA ASSEMBLY AND DRESSING INSTRUCTIONS



All electrical components must be installed by a licensed electrician in accordance with the National Electric Code and the appropriate local electrical codes.



You will need 2- Cand, Bulb  
 40 Watts Recommended  
 60 Watts Max  
 Bulb not included.



DROPS-A=		( 18mm*100mm x1pcs )	X 2 Sets
DROPS-B=		( 10mm x13pcs )	X 2 Sets