

CRYSTORAMA




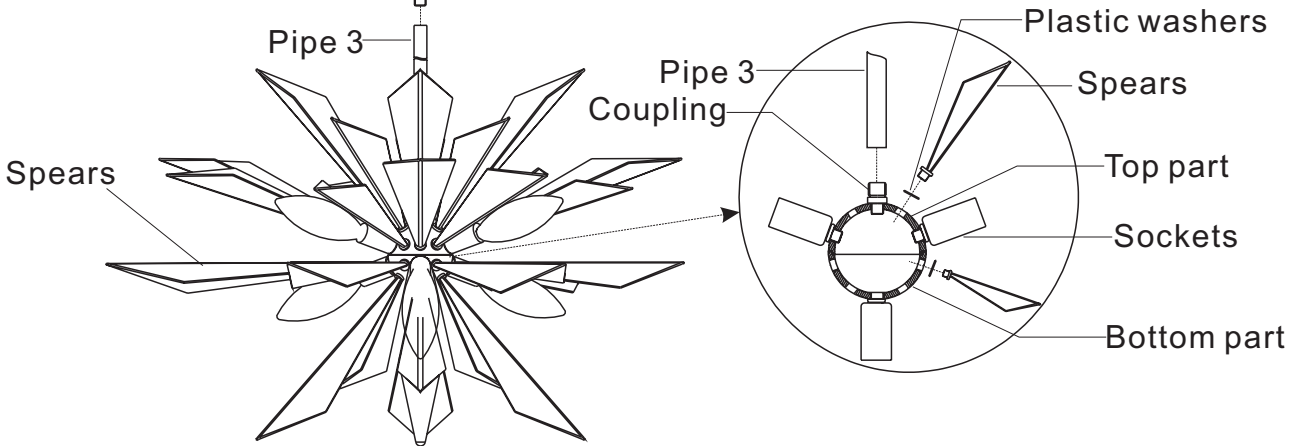
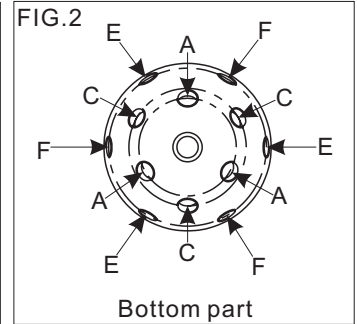
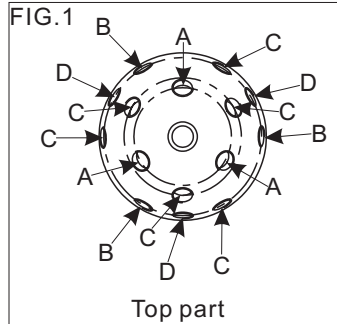
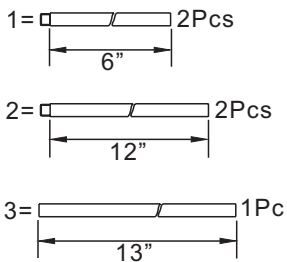
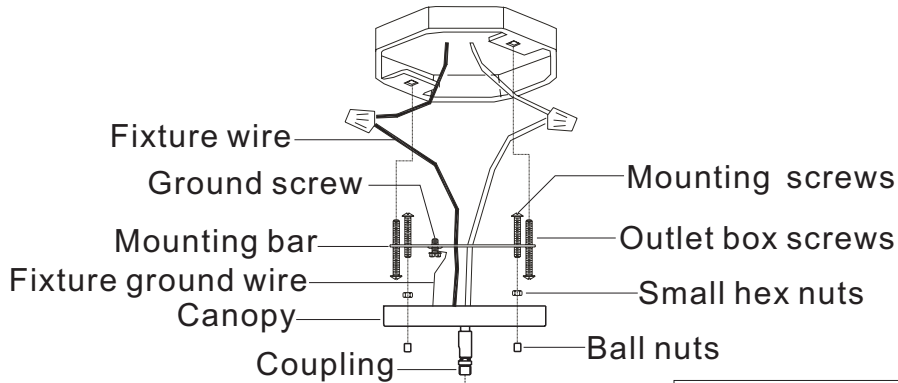
95 Cantiague Rock Road, Westbury NY 11590
 ph:516.931.9090 fax:516.931.1254
 info@crystorama.com www.crystorama.com

MODEL#: 1529-MC ASSEMBLY AND DRESSING INSTRUCTIONS

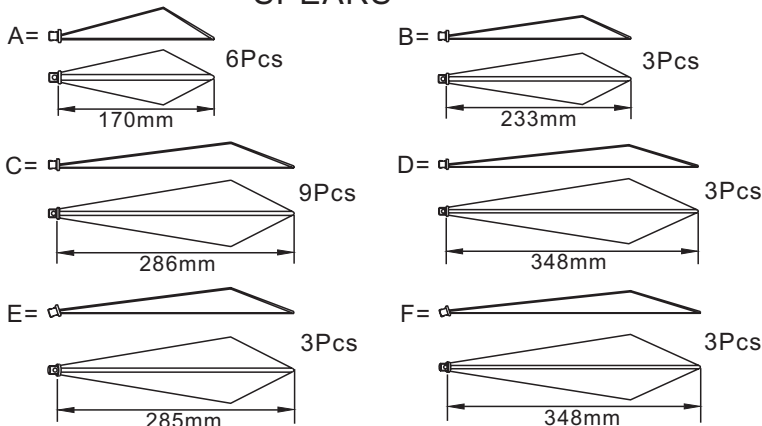
IMPORTANT

TURN OFF THE POWER AT THE MAIN FUSE OR CIRCUIT BREAKER BOX BEFORE STARTING INSTALLATION


 You will need 7-Cand.BULB
 40 watts Recommended
 60 watts Max
 Bulb not included



SPEARS



INSTALL SPEARS
 Install the top part according to the fig.1.
 Install the bottom part according to the fig.2.