

# CRYSTORAMA

1958

95 Cantiague Rock Road, Westbury NY 11590

ph:516.931.9090 fax:516.931.1254

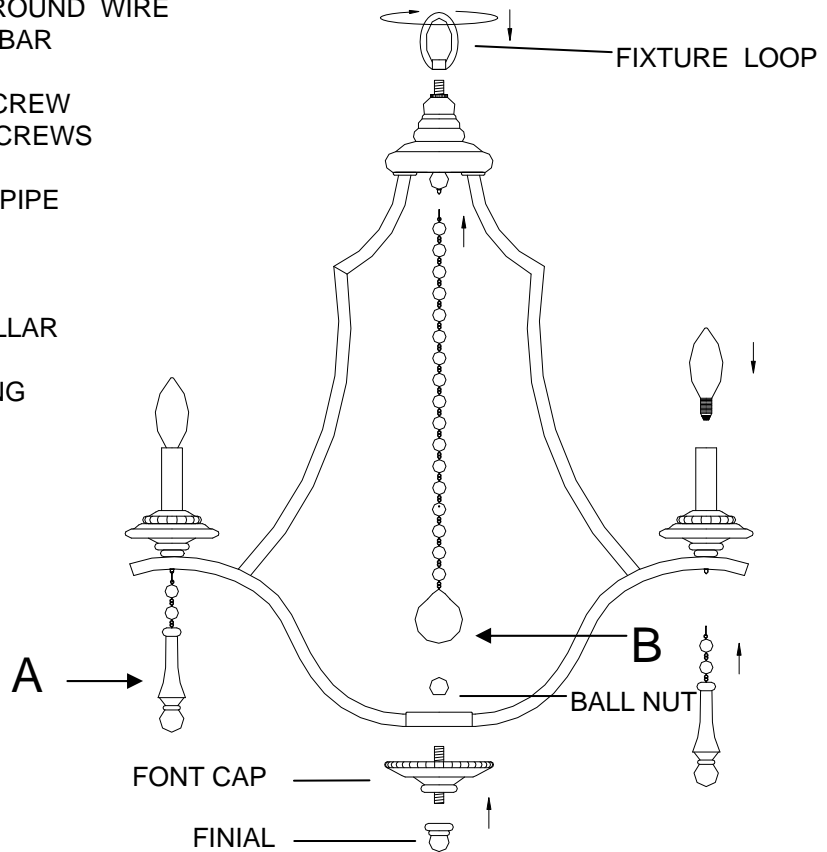
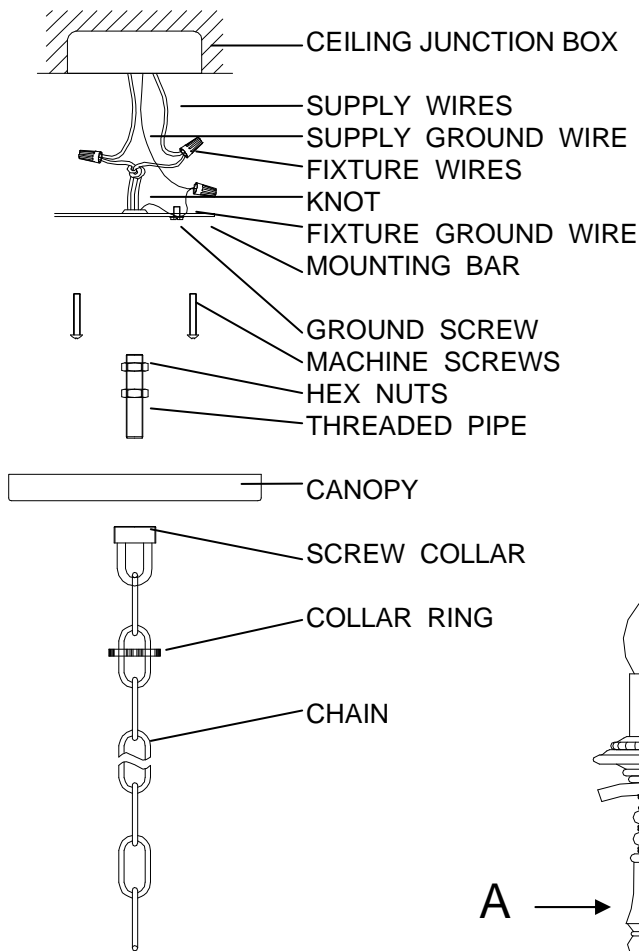
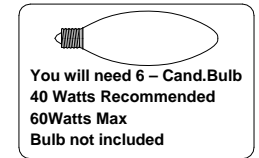
info@crystorama.com www.crystorama.com

**MODEL#:9356**

## ASSEMBLY AND DRESSING INSTRUCTIONS



All electrical components must be installed by a licensed electrician in accordance with the National Electric Code and the appropriate local electrical codes.



A= (2X14mm Ball+1X58mm Resin Drops) \*6pc

B= (1X50mm Ball+17X14mm Ball) \*1pc

2011-12-15