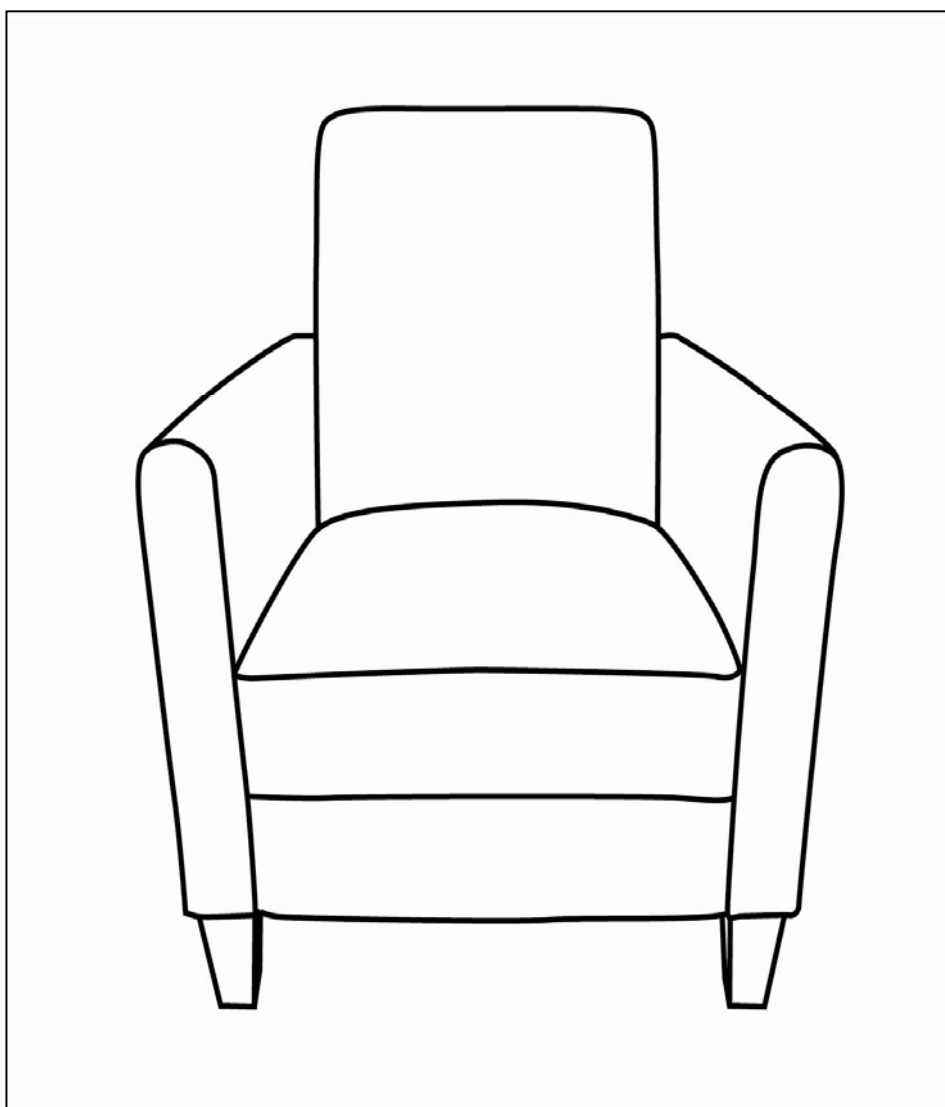




Assembly Instructions

Warnings: You must read this before you proceed.


Club Chair



Parts List

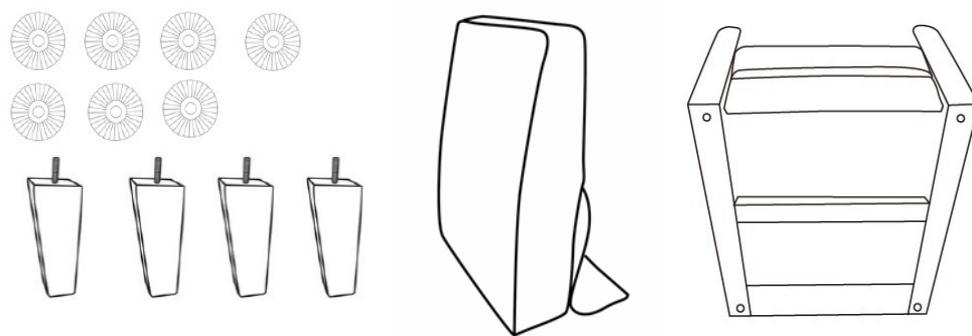
Label	Picture	Description	QTY
A	 A1 A2	Chair Backrest-A1 & Chair Base Body-A2	A1-1pc A2-1pc
B		Wooden leg	4pcs

Hardware

Label	Picture	Description	QTY
1		Washer Rings	7pcs

Assembly Preparation

Before Beginning Assembly:



- Read instructions, cover to cover-



- Have 2 adults on hand for assembly-



- Do not assemble on flooring or carpet-



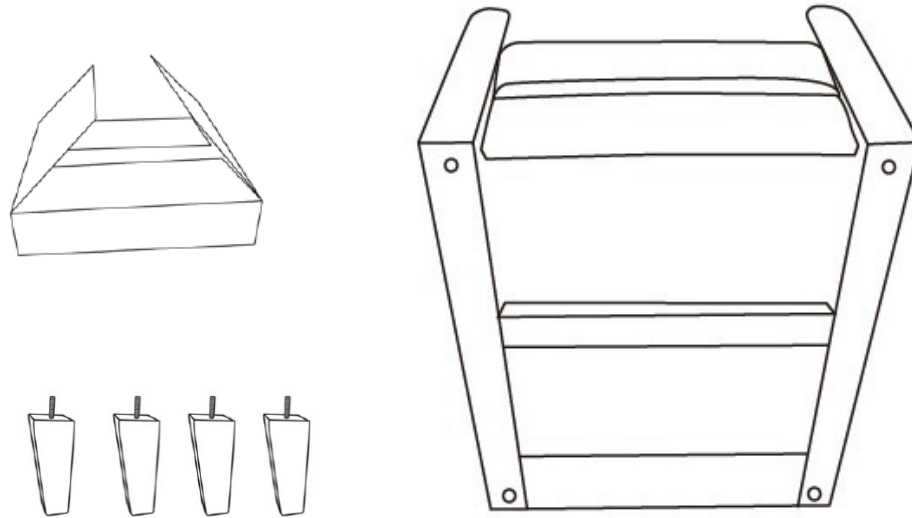
- Assemble on a clean non-marring surface (packing foam)-



- Save all packaging until finished-

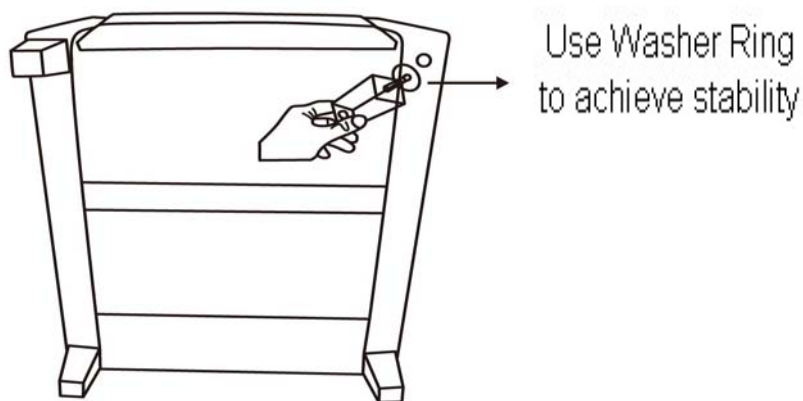
Assembly Steps

Step 1



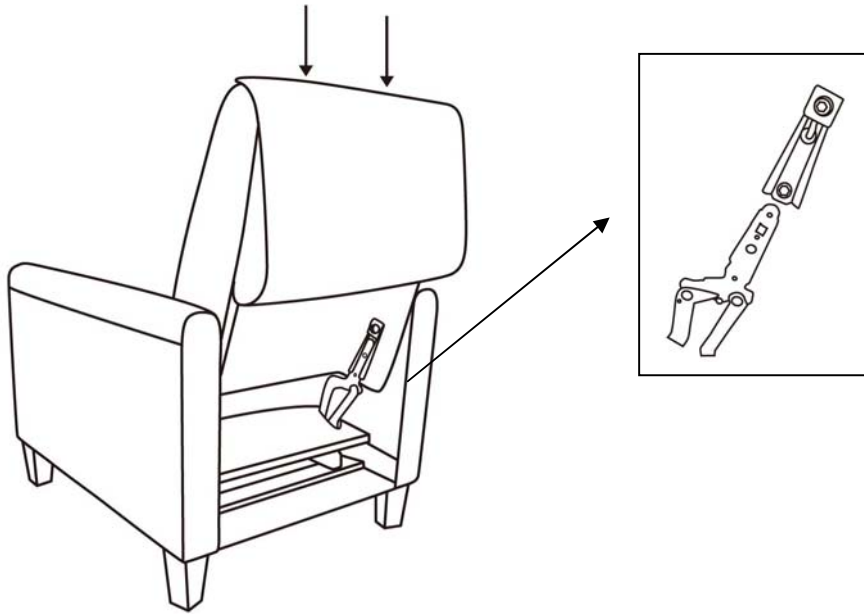
Position the Chair on its back, as shown.
(Preferably on a surface that won't scratch the upholstery.)
Open the inner box and take out the 4 wooden legs provided.

Step 2



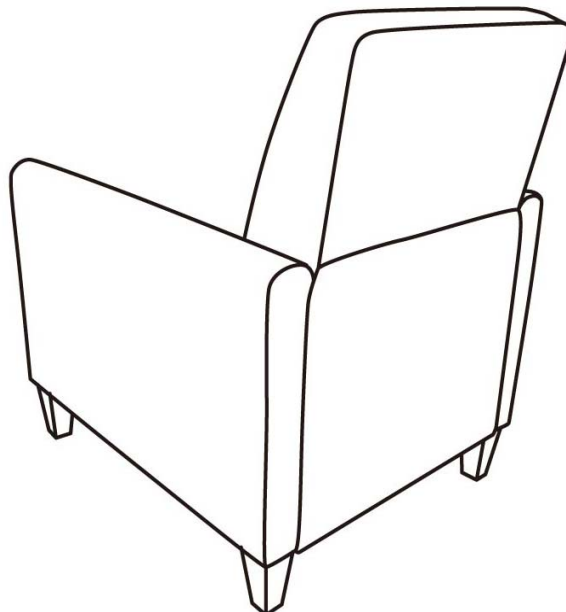
Install the first leg into the bottom of the chair by placing 1 plastic washer ring (improves tightness and security of leg) onto the threaded stem.
(The use of washer rings are OPTIONAL and is especially useful to help alleviate slight wobbleness).
Insert the leg into the bolt point at the base of the chair.
Tighten by turning the leg clockwise.
Repeat the same steps to install the three remaining legs.

Step 3



Standing behind the chair, hold up the backrest.
Tilt the chair backrest slightly forward, then allow the slots to meet and slide lock into the prefabricated gadget.
Firmly and gently push the entire backrest until you the backrest is fully slotted and locked into position.

Step 4



Upon completion of the above steps, smooth down the fabric fabric flap. Run your hand down both sides of the flap, from top to bottom, allowing the velcro tape to adhere the flap to the seat chair.

Care & Maintenance



● Do not put hot items directly on furniture surface.



● Do not clean furniture with harsh cleansers or polish.



● Do not place furniture under direct sunlight.



● Do not place furniture near heating or cooling vents.



● Do not write on furniture without a padded barrier to protect the surface.



● Do not place furniture outside. For indoor use only.



● Not for commercial use. For residential use only.



● Stains may be removed with mild soap solution and damp cloth.



● Dust and pick-up spills using a clean, non-colored, lint-free cloth.

User Instructions.

Recliner Chair

Please read the Instruction Manual below carefully before use.

This is a Recliner Chair. At anytime in a reclined seat position or in the upright position. You may enjoy the rocking motion by using your body weight in a back-front rocking motion.

Supervise children use of this Recliner.

To get into a reclined posture - To Recline backrest

Sit into the seat.

Place your feet apart .

Place your left and right arm onto the armrest.

Synchronise a backward push with your arms.

Use your body weight and push backwards into the seat into a fully reclined position.



To get out of chair - move Seatback into Upright Position

Tilt your body weight slightly forward and upwards.

The seat back will come up to an upright position.

Where necessary, use either your arms help lift- push yourself out of the seat.

