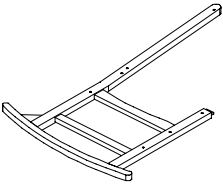
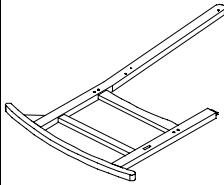

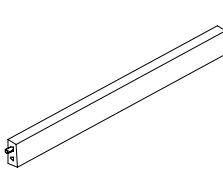
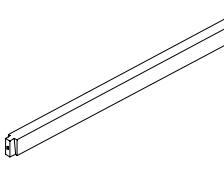
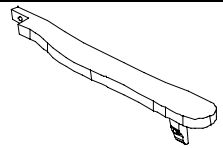
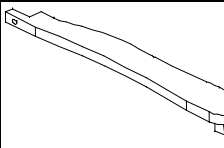
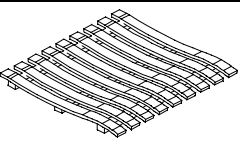
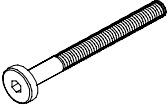
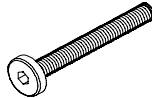
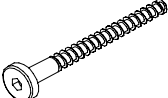
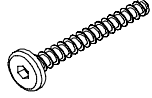
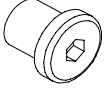
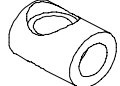
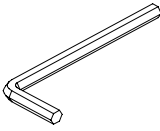


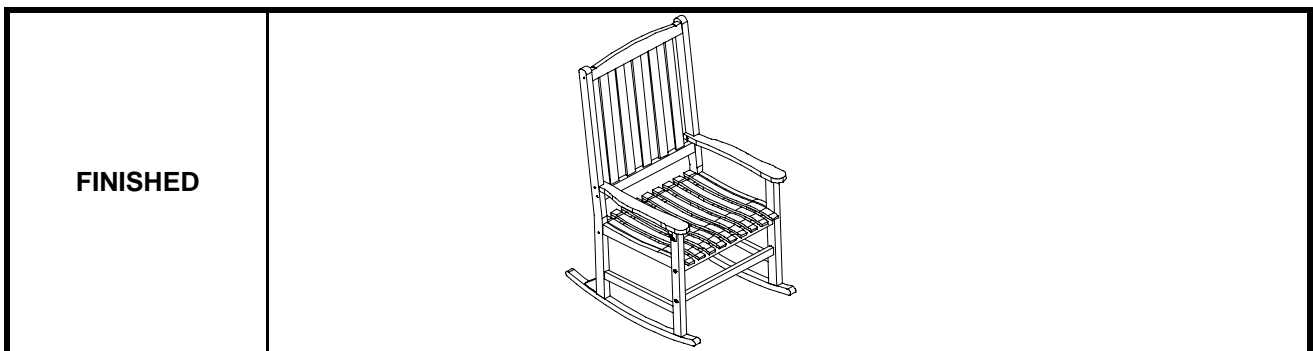
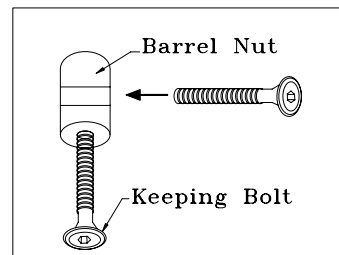
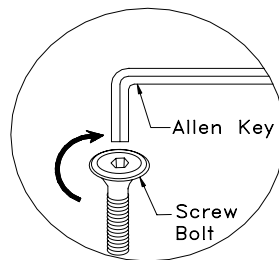
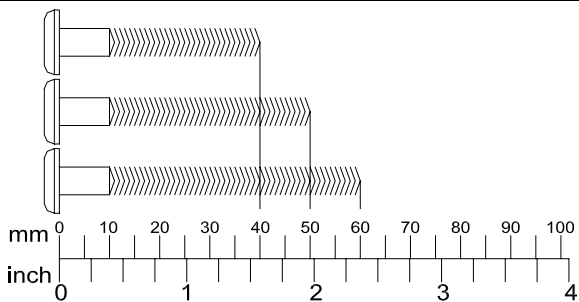
ASSEMBLY INSTRUCTIONS

Item# ROCKING CHAIR (3N-ROCK)

Before you begin assembly, locate the instructions and hardware. Take out all the parts and compare them to the diagrams below. Be sure you have all the parts and can identify them.

PARTS LIST				
				
1) Left Leg Frame: 1Pc	2) Right Leg Frame: 1Pc	3) Back: 1Pc	4) Support Bar: 2Pcs	5) Tie Of Frame: 1Pc
				
6) Left Arm: 1Pc	7) Right Arm: 1Pc	8) Seat Top: 1Pc		

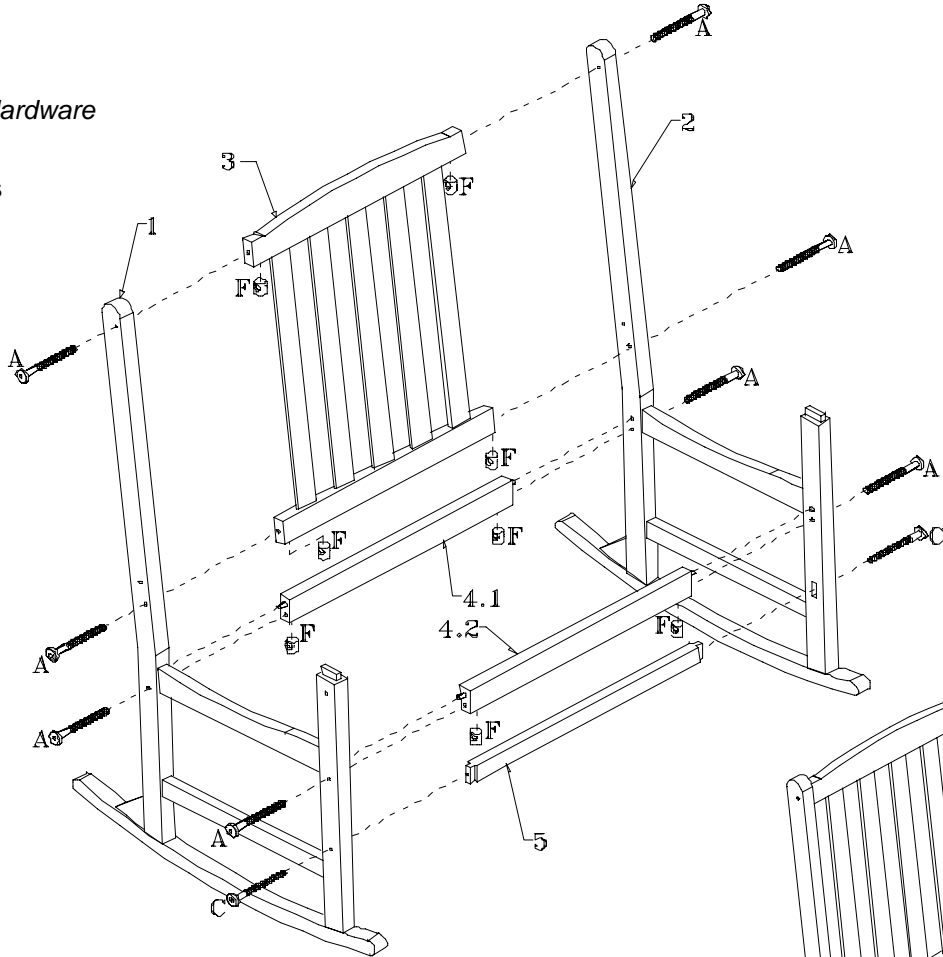
FITTINGS LIST				
				
A) Bolt 2.36" (M6x60): 8pcs	B) Bolt 1.57" (M6x40): 2pcs	C) Screw 1.97" (Ø6x50): 2pcs	D) Screw 1.57" (Ø6x40): 4pcs	E) Cap Nut (M6X15): 2pcs
				
F) Barrel Nut (M6): 8pcs	G) Allen Key: 2pcs			



STEP 1

Fitting Hardware

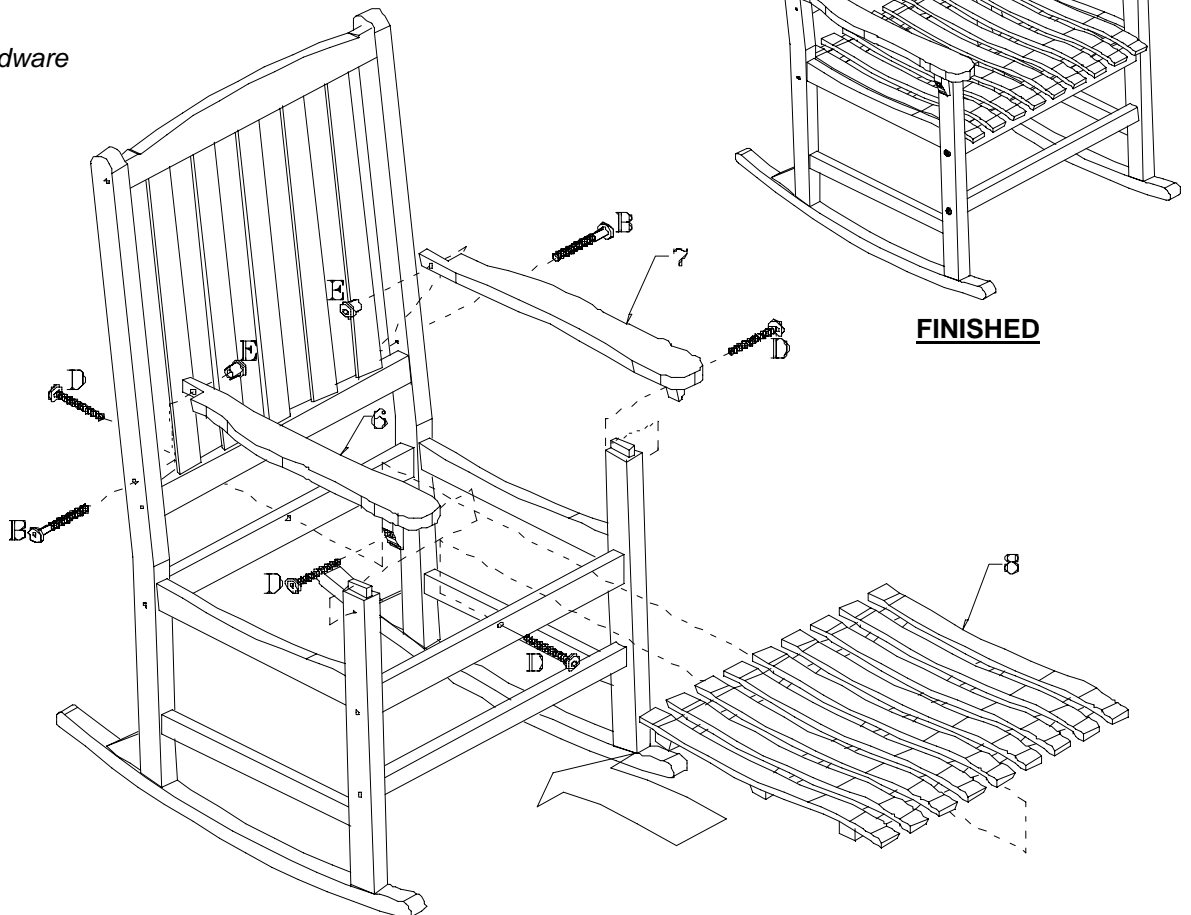
- A) 8 Pcs
- C) 2 Pcs
- F) 8 Pcs



STEP 2

Fitting Hardware

- B) 2 Pcs
- D) 4 Pcs
- E) 2 Pcs



"Do Not Tighten Until Fully Assembled"