

DESCRIPTION

Versatile accent lighting that does not require a transformer! The Line Voltage Xenon Puck is available in four colors: White, Black, Gold and Chrome. This light has many accessories for every type of application including touch pad dimmers, direct wire boxes, linking extensions, power cords and replacement bulbs. These puck lights can be either surface mounted or recess mounted.



SPECIFICATIONS

Dimensions:

2-5/8" Diameter x 1-1/4" High w/ spacer ring OR
1/2" High recessed mount.

Construction:

Heavy duty hard durable plastic construction with 6' 20AWG lead wires, and G4 Bi-pin socket for easy lamping.

Finishes:

White, Black, Chrome, Gold.

Reflector:

Full coverage reflector with specular surface maximizes light output.

Lamp:

12V, 20 watt Xenon, G4 base lamps included.

Lens:

Glass frosted for even light distribution. Twist on/off cover for easy re-lamping.

Mounting:

Mount at the top of cabinets or under cabinets or any horizontal surface that is at least 5/8" thick. Optimized for fast, modular installation using keyhole mounting slots and male/female molex connectors. Power cords, hardwire box, extension cords and other accessories sold separately.

Safety Ratings:

c/UL/us Listed for interior applications.

Maximum Run:

No Linking. May link each puck light in a single home run to remote transformer.

Direct wire:

Use FSL-BLK connector and FSL-BOX (both sold separately) to connect to remote 12vAC transformer (sold separately).

Multiple Fixtures:

Install units in single home runs. Maintain minimum 12" spacing between units and only install in well ventilated areas.

See next page for ordering information.



AMERICAN LIGHTING
BRIGHT IDEAS • INNOVATIVE PRODUCTS

T: 800.880.1180

F: 303.695.7633

DATE: _____ TYPE: _____
FIRM NAME: _____
PROJECT: _____

ORDERING INFORMATION

ALPX Series	Total Units	Color
	20 = One Puck	BL = Black
	40 = Two Pucks	GD = Gold
	60 = Three Pucks	CH = Chrome
	80 = Four Pucks	

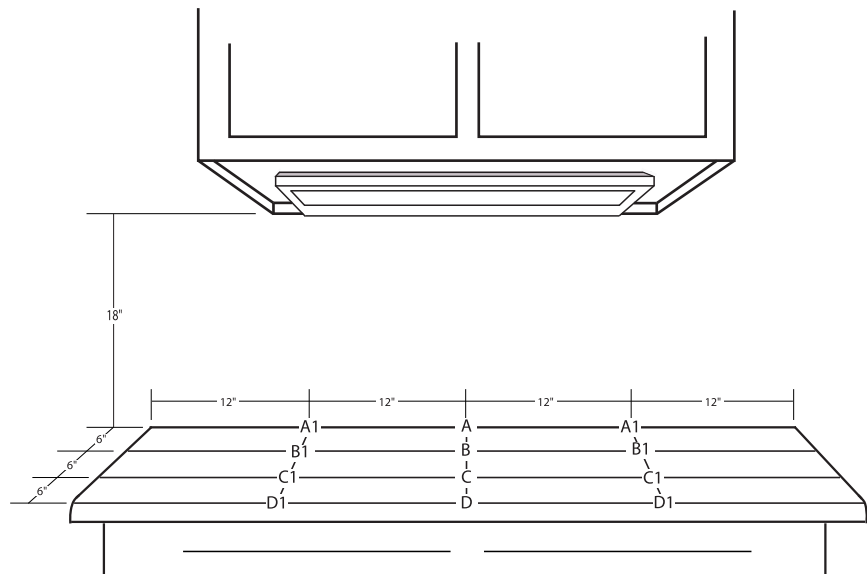
PHOTOMETRIC DATA

XENON PUCK 12V	
A : 63.6	A1 : 13.5
B : 67	B1 : 15.2
C : 24.2	C1 : 10.9
D : 9.4	D1 : 4.4

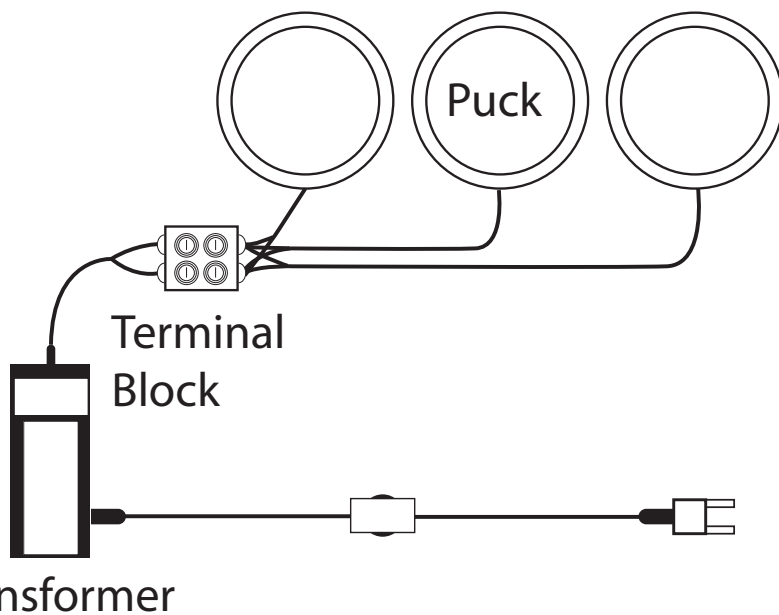
Data shown above, expressed in foot candles, is a result of a single fixture, with the exception of Clear Rope Light. Counter top reflectance 80%. Rear wall reflectance 80%. See diagram for points of measurement.

ACCESSORY INFORMATION

- ALTR60** Remote Plug-In 12vAC 60w Elect Trans. Roll Sw.
- ALTR60PI** Wall Plug-In 12vAC 60w Elect Trans. Roll Sw.
- ALTR120** Remote Plug-In 12vAC 60w x 2 Elect Trans. Roll Sw.
- ALTR60B** Hardwire 12vAC 60w Elect Trans.
- ALTR80B** Hardwire 12vAC 80w Elect Trans.
- ALTR105B** Hardwire 12vAC 105w Elect Trans.
- ALTR150B** Hardwire 12vAC 150w Elect Trans.
- ALTPDIM** Touch pad dimmer, 120v for use with plug-in transformers
- AL10BX** 12vAC, 10 Watts, G4 Bi-Pin Base Xenon Lamp, Two per blister pack
- ALPX20B** 12vAC, 20 Watts, G4 Bi-Pin Base Xenon Lamp, Two per blister pack



INSTALLATION EXAMPLE



DIMENSIONAL DATA

