

## Builder 5959

All Hydro Systems Builder's Series bathtubs and whirlpools are backed by our exclusive 5 year limited warranty and include the standard features.

### Available Sizes:

59"L x 59"W x 20¾"D  
 65 Gallons



### Builder Model Feature:

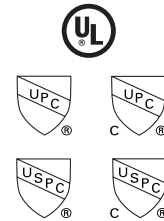
White/Almond/Bone/Natural  
 Acrylic/Fiberglass Bathtub  
 Integral Wood Base  
 6 Jets Adjustable/Directional  
 Air Switch  
 Silent Air Induction  
 Anti-Vortex Safety Suction  
 1¼ hp UL Listed Pump, mounted  
 Sturdy Cardboard Box

### Optional Equipment

**Available** as Tub only, Thermal Air, Whirlpool  
**Removable** Access Panel Skirt (Factory Install Option)  
**Inline Heater**  
**Waste & Overflow**  
 Polished Chrome  
 Polished Brass  
**System Trim**  
 Polished Chrome  
 Polished Brass  
**Tile Flange - Molded**  
**Hydro Coat**  
**Hydro Express Quick Ship**

### Approvals & Listings

Commonwealth of Massachusetts  
 UPC & USPC - US & Canada



### Electrical Component

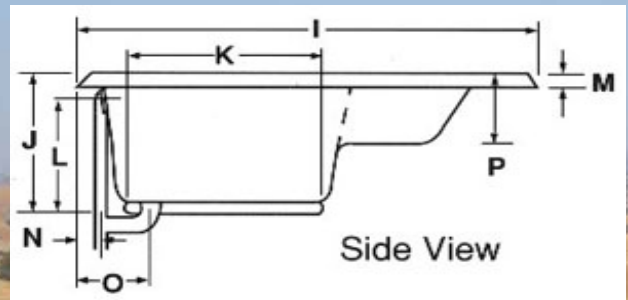
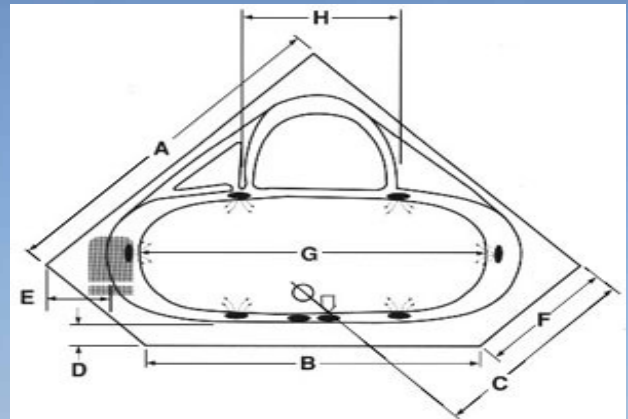
### Electrical Requirements





Whirlpool (1.25 HP Single Speed Pump, 120V)	1 Dedicated 20 Amp GFCI Circuit
Thermal Air (1 HP Blower with 600 Watt Heater)	1 Dedicated 20 Amp GFCI Circuit
Inline Heater	
600 W	Shares Pump Circuit
1500 W	1 Dedicated 20 Amp GFCI Circuit

# Builder 5959



Must be set in Mortar Base

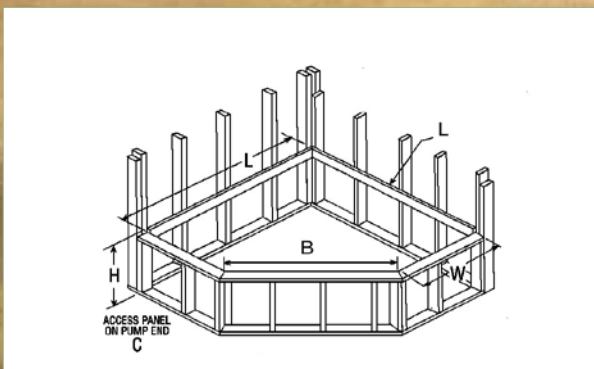


-  Pump motor
-  Jets
-  Anti-vortex suction
-  Overflow location

**AS SHOWN:**  
Whirlpool option w/ standard jets

**ALSO AVAILABLE:**  
Soaking Tub Only, Thermal Air,

Model	GC	AC	A	B	C	D	E	F	G	H	I	J	K	L	M	N	O	P
5959	N/A	√	59"	52½"	34½"	4"	9½"	21¾"	51"	24"	56"	20¾"	24"	18¼"	1¾"	2¾"	9"	10½"
<b>Framing Dimensions below</b>															Jet	Pump	Wat.Cap.	
															6	1.25	65 gal.	



Island Drop-In				
Model	(L)ength	(W)idth	B	(H)eight Finish
5959	57"	20"	51"	21½"

*Disclaimer: Certain options or altering the pump/blower location may cause the pump/blower to extend beyond the tub decking.  
 For cutout dimensions wait for unit to arrive.  
 All specifications subject to change without notice.*