

Builder Hourglass

All Hydro Systems Builder's Series bathtubs and whirlpools are backed by our exclusive 5 year limited warranty and include the standard features.



Available Sizes:

60"L x 42"W x 20"D
 80 Gallons

72"L x 42"W x 21"D
 80 Gallons

Builder Model Feature:

White/Almond/Bone/Natural
 Acrylic/Fiberglass Bathtub
 Integral Wood Base
 8 Jets Adjustable/Directional
 Air Switch
 Silent Air Induction
 Anti-Vortex Safety Suction
 1¼ hp UL Listed Pump, mounted
 Sturdy Cardboard Box

Optional Equipment

Available as Tub only, Thermal Air, Whirlpool
Skirt with access panel for WP & TAS
Skirt without access panel for TO
Factory Installation for skirt
Inline Heater
Waste & Overflow
 Polished Chrome
 Polished Brass
System Trim
 Polished Chrome
 Polished Brass
Tile Flange - Molded
Hydro Coat

Approvals & Listings

Commonwealth of Massachusetts
 UPC & USPC - US & Canada

Hydro Express Quick Ship



Electrical Component

Electrical Requirements

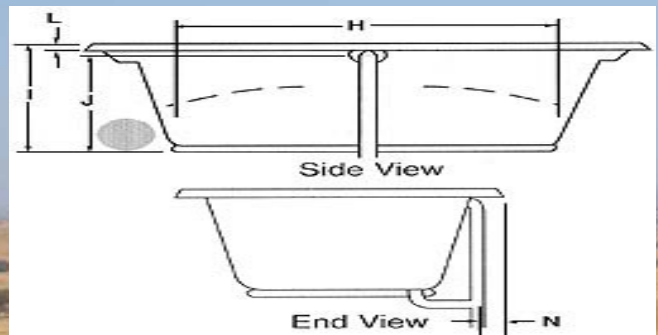
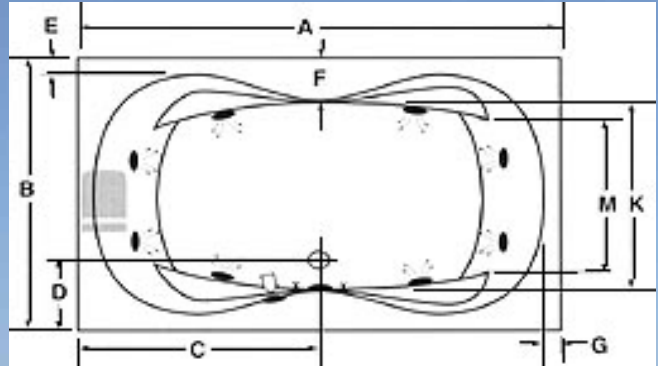
Whirlpool (1.25 HP Single Speed Pump, 120V)	1 Dedicated 20 Amp GFCI Circuit
Thermal Air (1 HP Blower with 600 Watt Heater)	1 Dedicated 20 Amp GFCI Circuit
Inline Heater	
600 W	Shares Pump Circuit
1500 W	1 Dedicated 20 Amp GFCI Circuit



Builder Hourglass



Must be set in Mortar Base

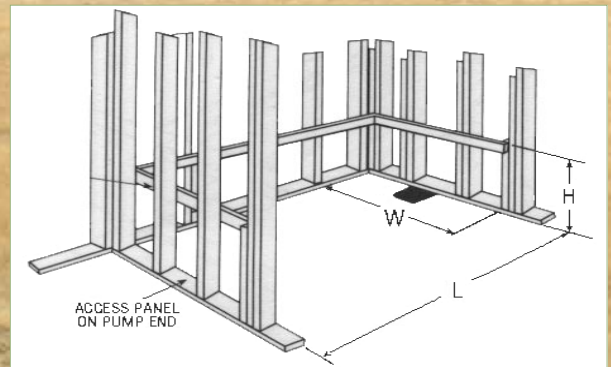
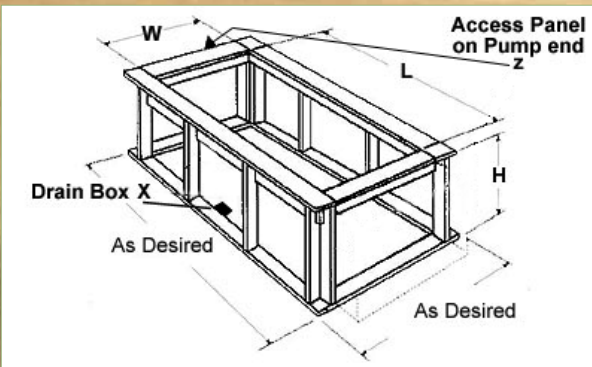


- Pump motor
- Jets
- Anti-vortex suction
- Overflow location

AS SHOWN:
Whirlpool option w/ standard jets

ALSO AVAILABLE:
Soaking Tub Only, Thermal Air,

Model	GC	AC	A	B	C	D	E	F	G	H	I	J	K	L	M	N	Jet	Pump	Wat. Cap.
6042	N/A	√	60"	42"	30"	10½"	2"	4½"	2¼"	40"	20½"	18"	25"	1¾"	25"	3¾"	8	1.25	80 gal.
7242	N/A	√	72"	42"	35½"	11½"	2¾"	6½"	2½"	50"	21½"	18¾"	27"	1¾"	25"	3¾"	8	1.25	85 gal.



Island Drop-In			3 Wall Enclosure			
Model	(L)ength	(W)idth	(H)eigth Finish	(L)ength	(W)idth	(H)eigth Ledger Molded Flange
6042	58"	40"	19¾"	60"	42"	22¼"
7242	70"	40"	20¾"	72"	42"	22¼"

Disclaimer: Certain options or altering the pump/blower location may cause the pump/blower to extend beyond the tub decking.
 For cutout dimensions wait for unit to arrive.
 All specifications subject to change without notice.